

Full Size Enclosures
H2 Series, Network Enclosure Accessory
Fan Kit, 460 CFM Rated

HUBBELL

Features

- Mounts to the Top of the Enclosure
- Multiple Fan Kits Can be Installed Depending on the Depth of the Enclosure



Ordering Information

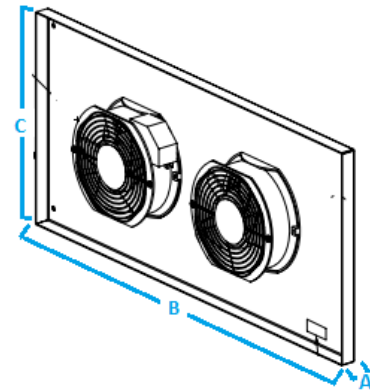
Cabinet	H2 Accessory	Catalog Number	UPC
Network	460 CFM Fan Kit	H2KNF	662620220833

Specifications

Material	Cold Rolled Steel
Finish	Black powder coated
H2 Cabinet Type	Network (30"W)
Fans per Panel	2

Characteristics

CFM Total	460 CFM
-----------	---------



Accessories

15A Powerstrip	HPWPWR
Flat blanking panel, 1U	MCCBM175
Flat blanking panel, 2U	MCCBM350
1U Horizontal cable manager with cover	HM17C
2U Horizontal cable manager with cover	HM27C

Dimensions- inches (mm)

A	0.89" (23)
B	25.9" (678)

Online Resources

Customer Use Drawing
eCatalog