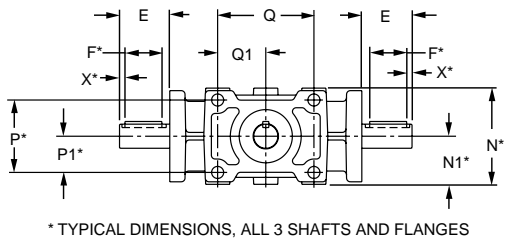
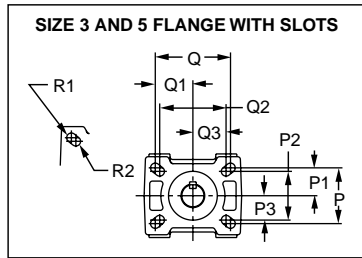
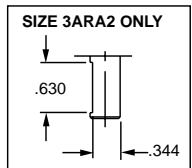
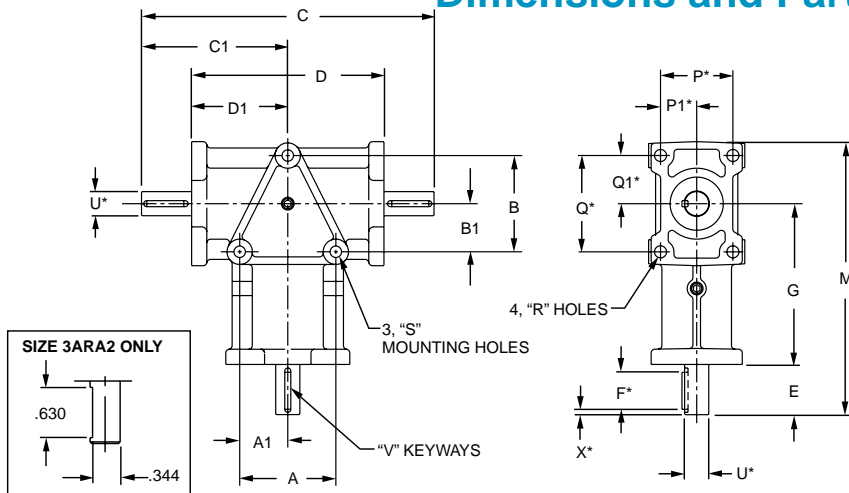


Dimensions and Part Numbers



* TYPICAL DIMENSIONS, ALL 3 SHAFTS AND FLANGES

Specifications

Basic ★ Part No.	Wt. Lbs.	A	A ₁	B	B ₁	C	C ₁	D	D ₁	E	F	G	M	N	N ₁
3ARA2	.8	1.326	.663	1.326	.663	4.310	2.155	2.756	1.378	.780	-	2.165	3.890	1.575	.7875
5ARA2	3.5	1.890	.945	1.890	.945	7.370	3.685	4.250	2.125	1.560	1.150	3.250	6.180	2.362	1.181
6ARA2	7.5	2.992	1.496	2.992	1.496	9.100	4.550	5.984	2.992	1.560	1.150	5.000	8.480	2.992	1.496

Basic ★ Part No.	P	P ₁	P ₂	P ₃	Q	Q ₁	Q ₂	Q ₃	R	R ₁	R ₂	S	U	V	X
3ARA2	1.100	.550	.880	.440	1.500	.750	1.190	.595	-	.108	.094	.230	.375	-	-
5ARA2	1.570	.785	1.380	.690	2.130	1.065	1.880	.940	-	.130	.130	.270	.625	.187 x .093	.160
6ARA2	2.250	1.125	-	-	3.000	1.500	-	-	.370	-	-	.350	.750	.187 x .093	.160

★ Basic Part No. means — 3 = 3/8" Shaft, 5 = 5/8" Shaft, 6 = 6/8 or 3/4" Shaft
 ARA = Aluminum Right Angle
 2 = Input shaft one end only.
 Select Complete Part No. from the table below after determining the ratio, type and relative shaft rotation from Figs. 1-6 below.

Part Numbers, Types and Ratios

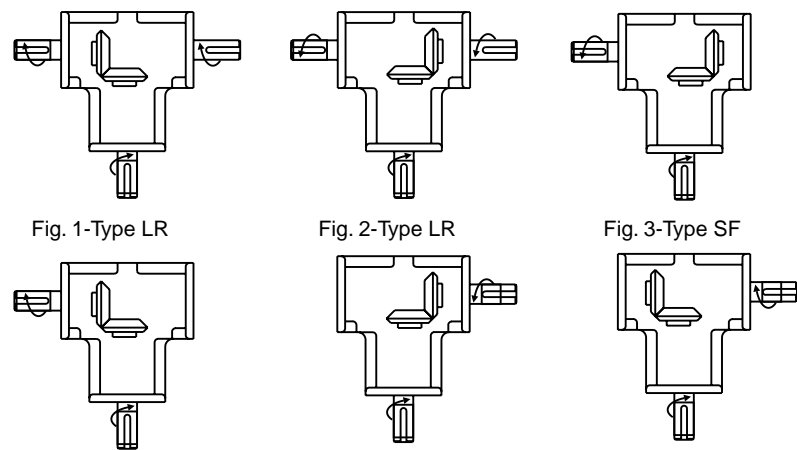


Fig. 1-Type LR

Fig. 2-Type LR

Fig. 3-Type SF

Fig. 4-Type SN

Fig. 5-Type SN

Fig. 6-Type SF

Basic Part No.	Fig.	Type▲	Ratio■	Part No.
3ARA2	1 and 2	LR	1:1	3ARA2 - LR10
	1 and 2	LR	2:1	3ARA2 - LR20
	3 and 6	SF	1:1	3ARA2 - SF10
	3 and 6	SF	2:1	3ARA2 - SF20
	4 and 5	SN	1:1	3ARA2 - SN10
4 and 5	SN	2:1	3ARA2 - SN20	
5ARA2	1 and 2	LR	1:1	5ARA2 - LR10
	1 and 2	LR	2:1	5ARA2 - LR20
	3 and 6	SF	1:1	5ARA2 - SF10
	3 and 6	SF	2:1	5ARA2 - SF20
	4 and 5	SN	1:1	5ARA2 - SN10
4 and 5	SN	2:1	5ARA2 - SN20	
6ARA2	1 and 2	LR	1:1	6ARA2 - LR10
	1 and 2	LR	2:1	6ARA2 - LR20
	3 and 6	SF	1:1	6ARA2 - SF10
	3 and 6	SF	2:1	6ARA2 - SF20
	4 and 5	SN	1:1	6ARA2 - SN10
4 and 5	SN	2:1	6ARA2 - SN20	

▲ LR means output shaft extension left and right sides, SF means single output extension with gear mounted on far side from extension, and SN means single output extension with gear mounted on side near to extension.

■ 10 = 1:1 Ratio, 20 = 2:1 Ratio

ARA Reducers