

PRODUCT INFORMATION PACKET

Model No: 364TSTD4337
Catalog No: U519A
60,1800,DP,364TS,3/60/190/380-400
Fire Pump



Regal and Marathon are trademarks of Regal Beloit Corporation or one of its affiliated companies.
©2018 Regal Beloit Corporation, All Rights Reserved. MC017097E





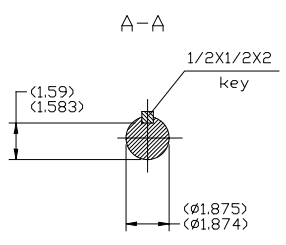
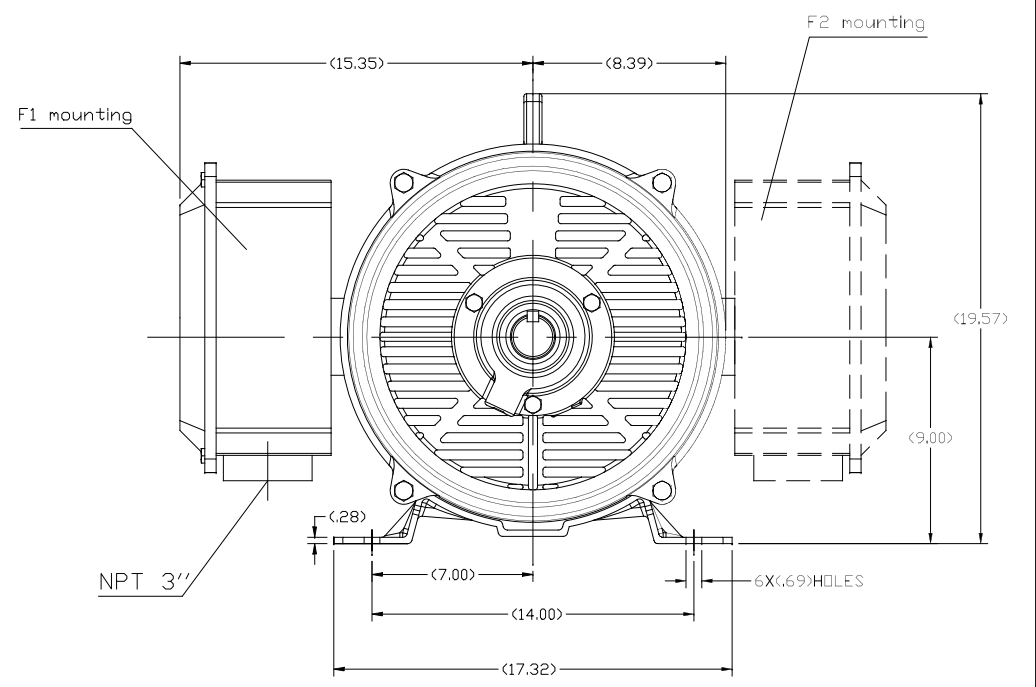
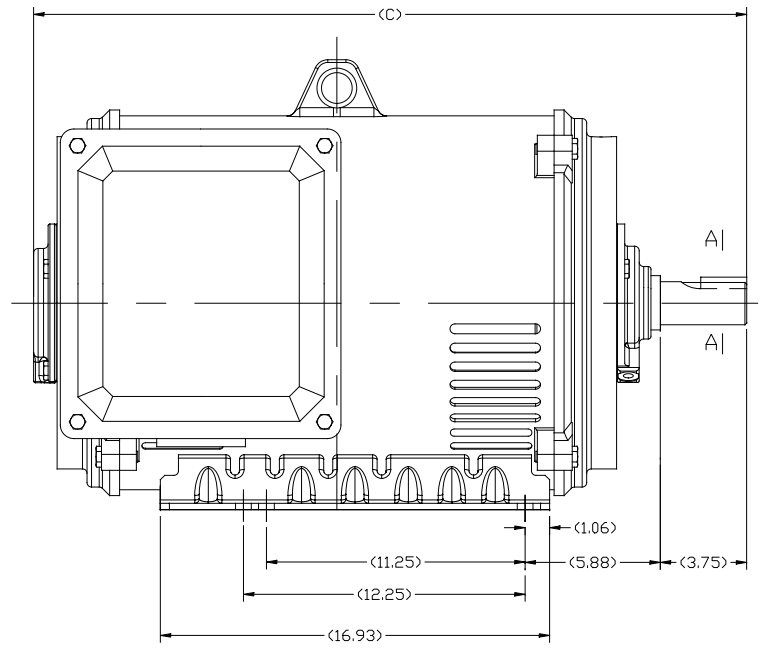
Nameplate Specifications

Output HP	60 Hp	Output KW	45.0 kW
Frequency	60 Hz	Voltage	190/380-400 V
Current	167.0/83.5-80.0 A	Speed	1780 rpm
Service Factor	1.15	Phase	3
Efficiency	93.6 %	Duty	Continuous
Insulation Class	F	Design Code	B
KVA Code	F	Frame	364TS
Enclosure	Drip Proof	Overload Protector	No
Ambient Temperature	50 °C	Drive End Bearing Size	6314
Opp Drive End Bearing Size	6313	UL	No
CSA	Y	CE	Y
IP Code	23		

Technical Specifications

Electrical Type	Squirrel Cage Induction Run	Starting Method	Part Wdg Start & Wye Start Delta Run
Poles	4	Rotation	Reversible
Mounting	Rigid base	Motor Orientation	HORIZONTAL
Drive End Bearing	BALL	Opp Drive End Bearing	BALL
Frame Material	Cast Iron	Shaft Type	TS
Overall Length	29.57 in	Frame Length	17.32 in
Shaft Diameter	1.875 in	Shaft Extension	3.75 in
Assembly/Box Mounting	F1/F2 CAPABLE		
Outline Drawing	SS620748-364TS	Connection Diagram	EE7308AA

This is an uncontrolled document once printed or downloaded and is subject to change without notice. Date Created: 10/30/2018



364TS	29.57
365TS	31.14
FRAME	C

NO.		REVISION		BY & DATE		TOLERANCES UNLESS SPECIFIED		REGAL REGAL-BELOIT CORPORATION	DRAWN Xiaowei Zhu	
CHK	ANG	ANG	±1/2°	FINISH	PREV	DEC.	INCHES		CHK	SCALE
						.X	±.1	TITLE 364/365TS ODP-ROLLED STEEL	APPD	1:1
						.XX	±.03		REF	
						.XXX	±.005		FMF	REGAL-WUXI
						.XXXX	±.0005		PREV	
THIS DRAWING IN DESIGN AND DETAIL IS OUR PROPERTY AND MUST NOT BE USED EXCEPT IN CONNECTION WITH OUR WORK ALL RIGHTS OF DESIGN AND INVENTION ARE RESERVED THIS IS AN ELECTRONICALLY GENERATED DOCUMENT - DO NOT SCALE THIS PRINT						RFP	CAD FILE	SS620748	SIZE	DRAWING NO.
						DIST			B	SS620748
										REV.
										2



LOW VOLTAGE



HIGH VOLTAGE



DRAWING REVISION K	REVISION BY AJW	DATE 07-17-2015
ECO ECO-0081632	APPROVED BY T. VUE	DATE 07-17-2015
ECO DESCRIPTION REV'D IEC MARKINGS PER IEC 60034-8		
<small>COPYRIGHT REGAL BELOIT AMERICA, INC. ALL RIGHTS RESERVED. PROPRIETARY AND CONFIDENTIAL INFORMATION - THIS DOCUMENT IS THE PROPERTY OF REGAL BELOIT AMERICA, INC. ("OWNER") AND CONTAINS OWNER'S PROPRIETARY INFORMATION. ANY PERSON, CORPORATION OR OTHER FIRM RECEIVING IT IS DEEMED, BY RECEIVING IT, TO AGREE THAT IT, AND/OR ANY PART OF IT, SHALL NOT BE DISCLOSED TO ANY PERSON, CORPORATION OR OTHER ENTITY, DUPLICATED, AND/OR USED, EXCEPT AS EXPRESSLY APPROVED IN WRITING IN ADVANCE BY OWNER. THIS DOCUMENT SHALL BE RETURNED TO OWNER UPON REQUEST. IT MAY BE SUBJECT TO CERTAIN RESTRICTIONS UNDER APPLICABLE EXPORT CONTROL LAWS AND REGULATIONS.</small>		



DRAWN BY LZ	Regal Beloit America, Inc.	
DATE 01-12-1994		
APPROVED BY GK	DESCRIPTION CONN DIAGRAM-EXTERNAL	
DATE 01-14-1994	3Ø-2/1 DELTA-12 LEADS	
REFERENCE	MATERIAL	PROCESS/FINISH
THIRD ANGLE PROJECTION	SIZE A	DRAWING NUMBER EE7308AA
		SHEET 1 OF 1



P.O. BOX 8003
WAUSAU, WI 54401-8003
PH. 715-675-3311

DATA VOLTS: 460

CERTIFICATION DATA SHEET

CUSTOMER P.O. #:
 ORDER #: EE7308AA REFERENCE MODEL #: 364STDCC4337
 CONN. DIAGRAM: SS620748 CAT #: U519A
 OUTLINE: IE2L2254102 NONE 3 CUSTOMER PART #:
 WINDING: IE2L2254102 NONE 3 MOUNTING: F1/F2 CAPABLE
 SPEED:
 TYPICAL MOTOR PERFORMANCE DATA

HP	KW	SYNC RPM	FL RPM	FRAME	ENCLOSURE	TYPE	KVA CODE	DESIGN
60	45	1800	1780	364TS	DP	TDC	F	B

PH	HZ	VOLTS	AMPS	START TYPE	DUTY	INSL	S.F.	AMB	ELEV.
3	60	190/380-400	167/83.5-80	WS(LV ONLV) & YDRU	CONT	F	1.15	50	3300
		F.L. EFF	93.6	3/4 LD EFF	93.6				ELECT. TYPE
		F.L. PF	86.0	3/4 LD PF	85.0				SQ CAGE IND RUN

F.L. TORQUE	LR AMPS @ 460 V	L.R. TORQUE	B.D. TORQUE	F.L. RISE (°C)
177 LB-FT	449	290 LB-FT	372 LB-FT	210%
@ 3 FT.	POWER	ROTOR WK ²	MAX. LOAD WK ²	SAFE STALL TIME
75 DBA	84 DBA	0.00 LB-FT ²	300 LB-FT ²	20 SEC.
				START/SHOUR
				2
				MOTOR WGT
				0 LB.

*** SUPPLEMENTAL INFORMATION ***

DE BRACKET TYPE	ODE BRACKET TYPE	MOUNT TYPE	MOTOR ORIENTATION	SEVERE DUTY	HAZARDOUS LOCATION	DRIP COVER	SCREENS	PAINT
STANDARD	STANDARD	RIGID	HORIZONTAL	NO	NONE	NO	NONE	RED (ENAMEL)
BEARINGS		GREASE	SHAFT TYPE	SPECIAL DE	SPECIAL ODE	SHAFT	MATERIAL	FRAME MATERIAL
DE BALL 6314	ODE BALL 6313	POLYREX EM	TS	NONE	NONE	1045 HOT ROLLED (C-204)		CAST IRON

THERMOSTATS	PROTECTORS	WDG RTD's	BRG RTD's	THERMISTORS	CONTROL	SPACE HEATERS
NONE	NOT	NONE	NONE	NONE	FALSE	NA
R1 (ohms/ph)	R2 (ohms/ph)	X1 (ohms/ph)	X2 (ohms/ph)	Xm (ohms/ph)	VIBRATION (in/sec)	FLOAT
0.075	0.034	0.333	0.44	16.81	0.150	ODE

* N		INVERTER TORQUE: NONE	
O		INV. HP SPEED RANGE: NONE	
T		ENCODER: NONE	
E		BRAKE: NONE	
S		FT-LB: NONE	
.		VOLTAGE: NONE	
		NONE PPR	

PREPARED BY: FAREEDA DUDEKULA
 DATE: 8/30/2018
 FORM: 3531 REV 4 2/27/06
 UL: NONE
 HZ:

Data Sheet

Date: 8/30/2018

3641STD0CD4337

Customer:



Submital

Attention: FAREEDA DUDEKULA

Data @ 400 V

Motor Load Data

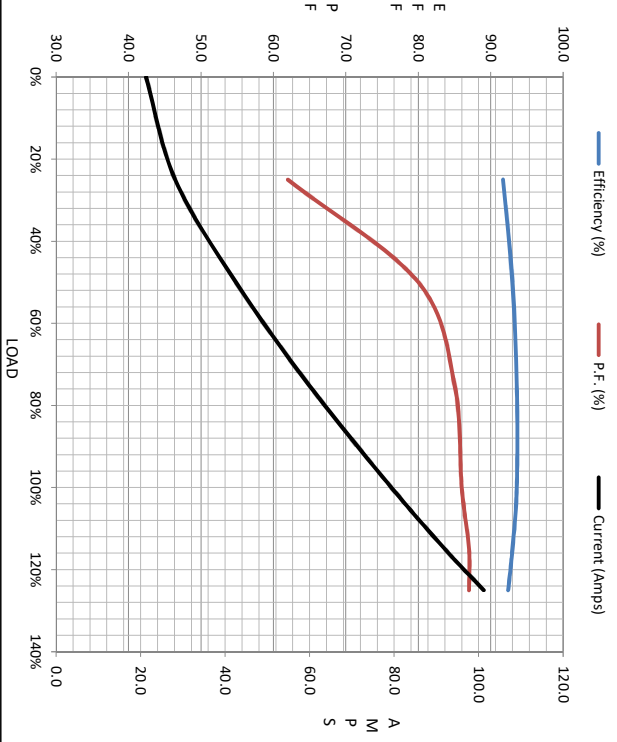
Load	0%	25%	50%	75%	100%	115%	125%	LR
Current (Amps)	21.3	28.2	42.6	59.8	79.4	92.0	101	449
Torque (ft-lb)	0.00	44.0	88.0	132	177	204	222	290
RPM	1800	1795	1790	1785	1780	1775	1772	0
Efficiency (%)		91.7	93.0	93.6	93.6	93.0	92.4	
P.F. (%)	5.0	62.0	80.0	85.0	86.0	87.0	87.0	38.0

Motor Speed Data

	LR	Pull-Up	BD	Rated	Idle
Speed (RPM)	0	900	1700	1780	1800
Current (Amps)	449	403	242	79.4	21.3
Torque (ft-lb)	290	275	372	177	0.00

Information Block

HP	60.0			
Sync. RPM	1800			
Frame	3641B2TFC080			
Enclosure	DP			
Construction	TDC			
Voltage	190/380-400 V			
Frequency	60 Hz			
Design	B			
LR Code letter	F			
Service Factor	1.15			
Temp Rise @ FL	45 °C			
Duty	CONT			
Ambient	40 °C			
Elevation	1,000 feet			
Motor/Shaft wk ²	0.00 Lb-Ft ²			
Ret Wdg	IE2L2254102 NONE			
Sound Pressure @ 1M	75 DBA			
VFD Rating	NONE			
Outline Dwg	SS620748			
Conn. Diag	EE7308AA			
Additional Specifications:				
0				
0				
R1	R2	X1	X2	Xm
0.0750	0.0340	0.3330	0.4400	16.8100



Speed - Torque Curve

