

4

3

Uncontrolled Copy

2

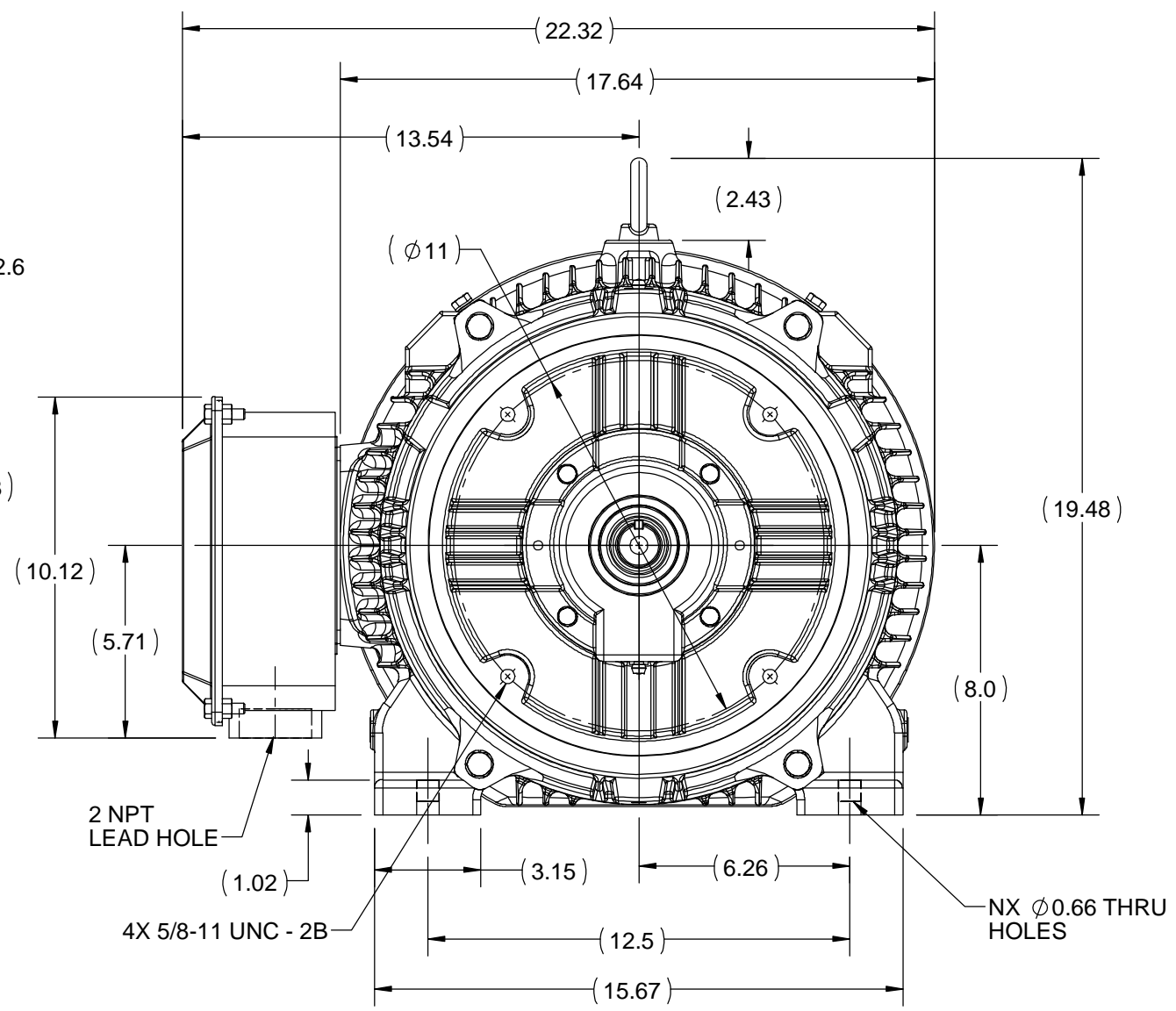
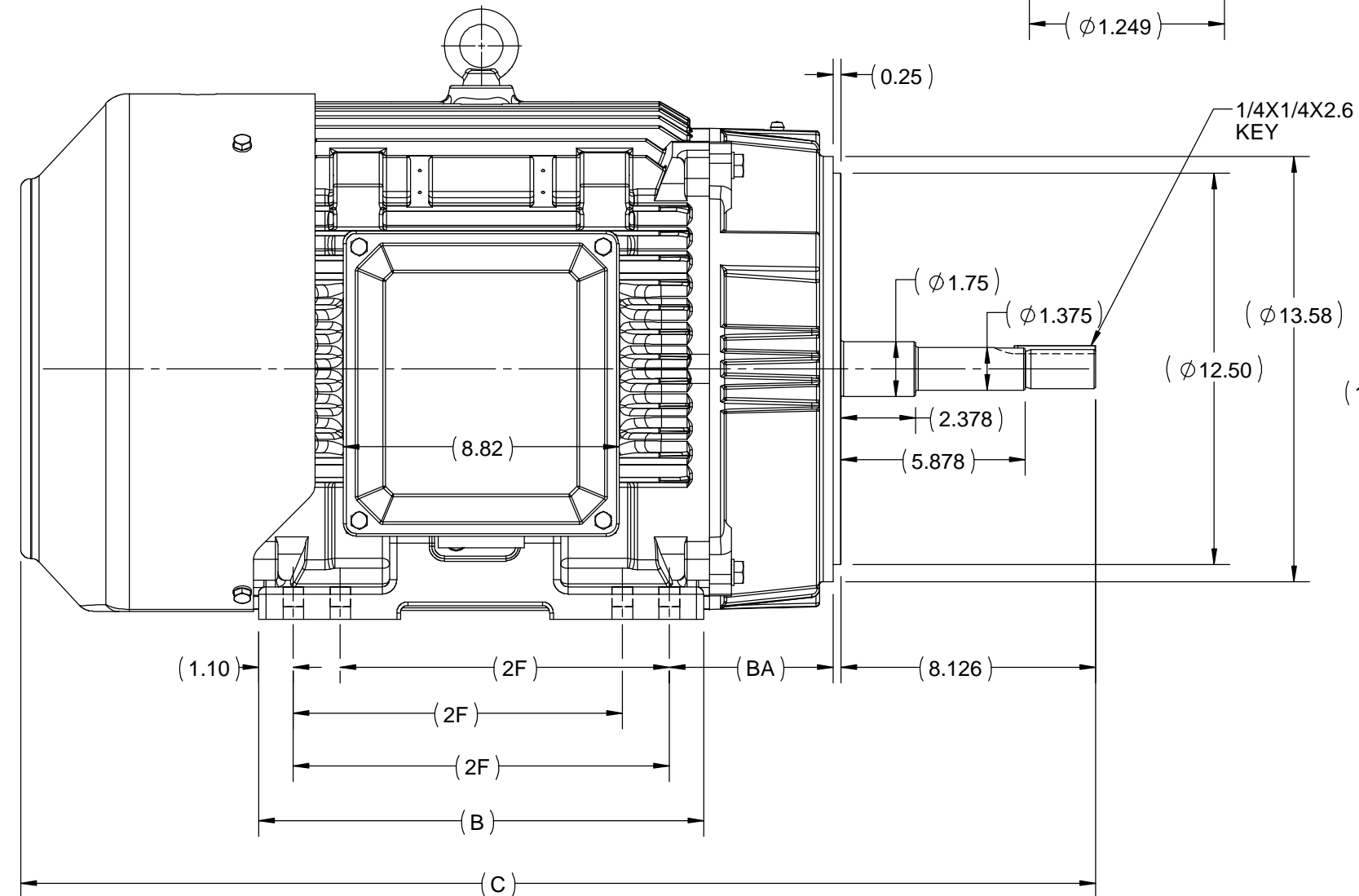
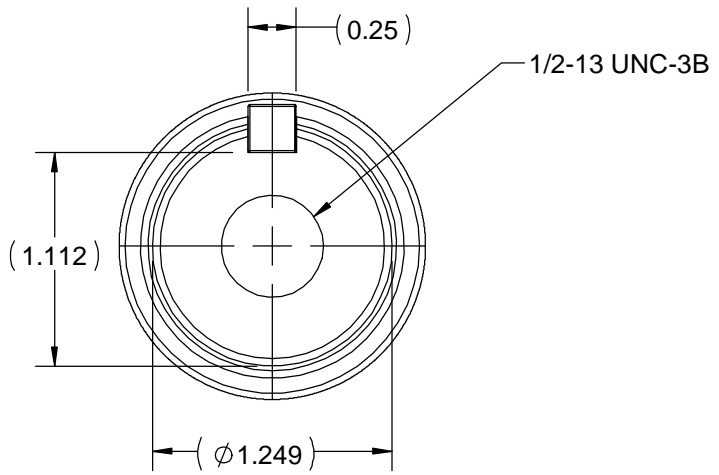
1

B

B

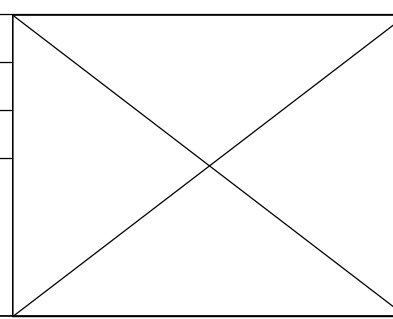
A


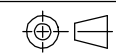
A



| | | | | | |
|--------|-------|-------|------|---|------|
| 326-JP | 14.21 | 34.32 | 12.0 | 8 | 5.25 |
| 324-JP | 12.71 | 32.82 | 10.5 | 4 | 5.25 |
| FRAME | B | C | 2F | N | BA |

| | | |
|---|------------------------|--------------------|
| DRAWING REVISION C | REVISION BY S.MUDDA | DATE 21/08/2018 |
| ECO ECO-0151027 | APPROVED BY JAY | DATE 21/08/2018 |
| ECO DESCRIPTION OUTLINE UPDATED AS PER 3D STRUCTURING | | |
| <small>COPYRIGHT REGAL BELOIT AMERICA, INC. ALL RIGHTS RESERVED. PROPRIETARY AND CONFIDENTIAL INFORMATION - THIS DOCUMENT IS THE PROPERTY OF REGAL BELOIT AMERICA, INC. ("OWNER") AND CONTAINS OWNER'S PROPRIETARY INFORMATION. ANY PERSON, CORPORATION OR OTHER FIRM RECEIVING IT IS DEEMED, BY RECEIVING IT, TO AGREE THAT IT, AND/OR ANY PART OF IT, SHALL NOT BE DISCLOSED TO ANY PERSON, CORPORATION OR OTHER ENTITY, DUPLICATED, AND/OR USED, EXCEPT AS EXPRESSLY APPROVED IN WRITING IN ADVANCE BY OWNER. THIS DOCUMENT SHALL BE RETURNED TO OWNER UPON REQUEST. IT MAY BE SUBJECT TO CERTAIN RESTRICTIONS UNDER APPLICABLE EXPORT CONTROL LAWS AND REGULATIONS.</small> | | |



| | | | |
|--|---|-----------------------------------|-----------------|
| DRAWN BY SN |  Regal Beloit America, Inc. | | |
| DATE 17/04/2017 | | | |
| APPROVED BY SBD | DESCRIPTION OUTLINE TEFC-324/326 JP FR- CAST IRON | | |
| DATE 17/04/2017 | MATERIAL | | |
| REFERENCE | PROCESS/FINISH | | |
| THIRD ANGLE PROJECTION  | SIZE B | DRAWING NUMBER SS620813 | SHEET 1 OF 1 |

4

3

2

1