

# PRODUCT INFORMATION PACKET

Model No: 056B17D11038  
Catalog No: CG105A  
0.33,1800,DP,56,1/60/115/230  
Open Drip Proof (ODP)



Regal and Marathon are trademarks of Regal Beloit Corporation or one of its affiliated companies.  
©2018 Regal Beloit Corporation, All Rights Reserved. MC017097E





### Nameplate Specifications

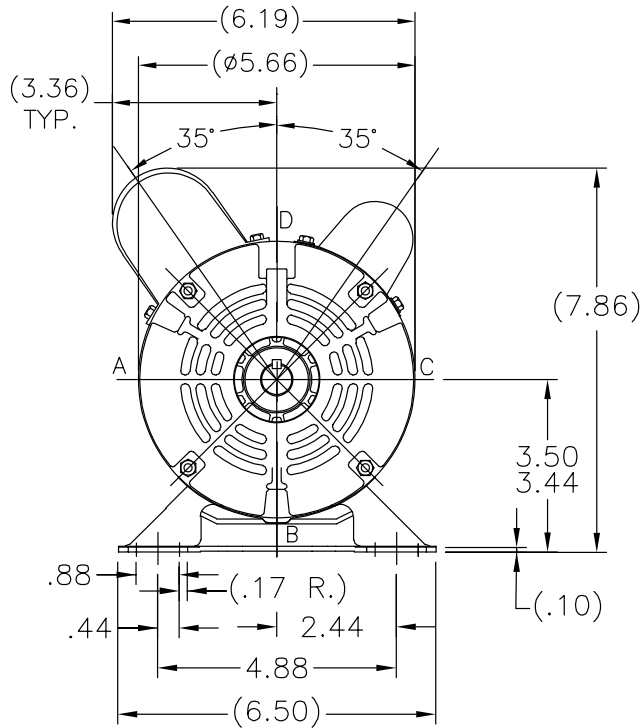
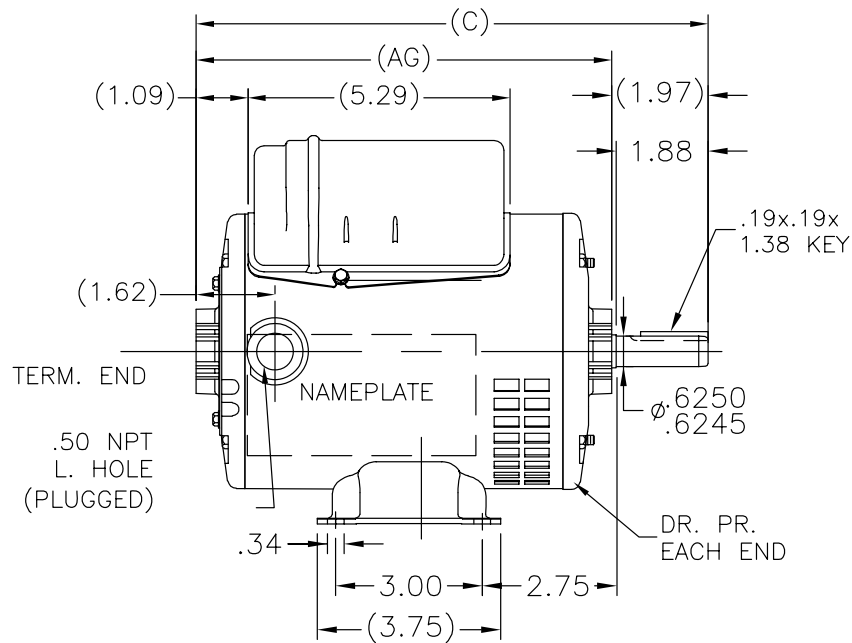
Output HP	<b>0.33 Hp</b>	Output KW	<b>0.25 kW</b>
Frequency	<b>60 Hz</b>	Voltage	<b>115/230 V</b>
Current	<b>3.8/1.9 A</b>	Speed	<b>1725 rpm</b>
Service Factor	<b>1.35</b>	Phase	<b>1</b>
Efficiency	<b>72.4 %</b>	Duty	<b>CONTINUOUS</b>
Insulation Class	<b>B</b>	Design Code	<b>NO DESIGN CODE</b>
KVA Code	<b>L</b>	Frame	<b>56</b>
Enclosure	<b>DP</b>	Overload Protector	<b>MANUAL</b>
Ambient Temperature	<b>40 °C</b>	Drive End Bearing Size	<b>6203</b>
Opp Drive End Bearing Size	<b>6203</b>	UL	<b>Recognized</b>
CSA	<b>Y</b>	CE	<b>Y</b>
IP Code	<b>12</b>		

### Technical Specifications

Electrical Type	<b>CAP START CAP RUN</b>	Starting Method	<b>ACROSS THE LINE</b>
Poles	<b>4</b>	Rotation	<b>SELECTIVE CCW</b>
Mounting	<b>RIGID</b>	Motor Orientation	<b>HORIZONTAL</b>
Drive End Bearing	<b>BALL</b>	Opp Drive End Bearing	<b>BALL</b>
Frame Material	<b>ROLLED STEEL</b>	Shaft Type	<b>STANDARD 56</b>
Overall Length	<b>10.97 in</b>	Shaft Diameter	<b>0.63 in</b>
Shaft Extension	<b>1.97 in</b>	Assembly/Box Mounting	<b>F1 ONLY</b>
Outline Drawing	<b>A-SS404114-700</b>	Connection Diagram	<b>EE9002F</b>

This is an uncontrolled document once printed or downloaded and is subject to change without notice. Date Created: 04/05/2018

SS404114

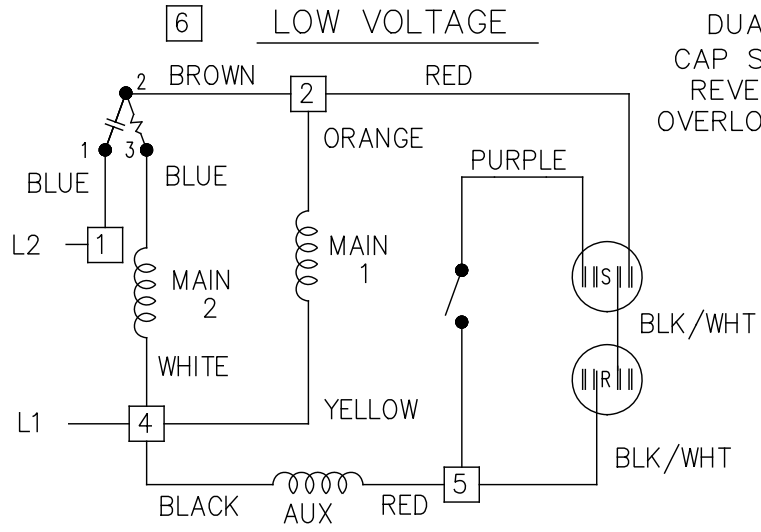


DASH	C	AG	DASH	C	AG
625	10.22	8.25	725	11.22	9.25
650	10.47	8.50	750	11.47	9.50
675	10.72	8.75	775	11.72	9.75
700	10.97	9.00	800	11.97	10.00

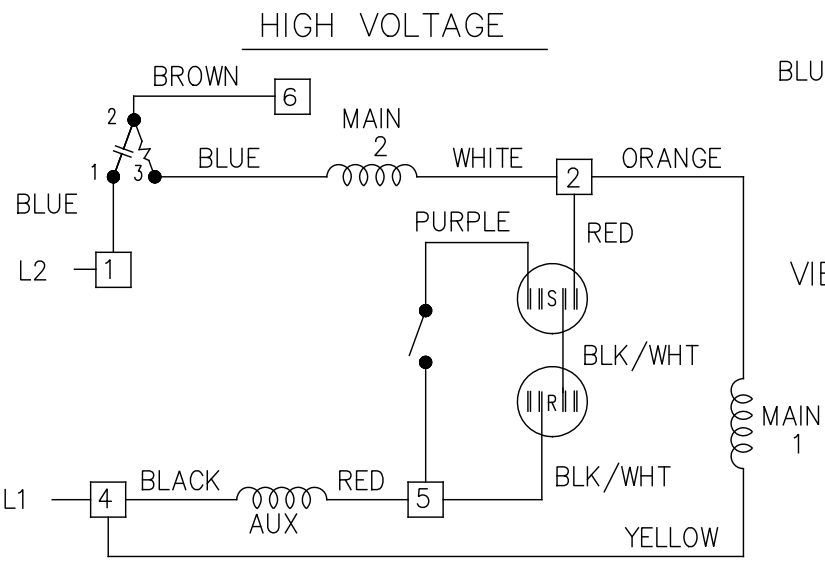
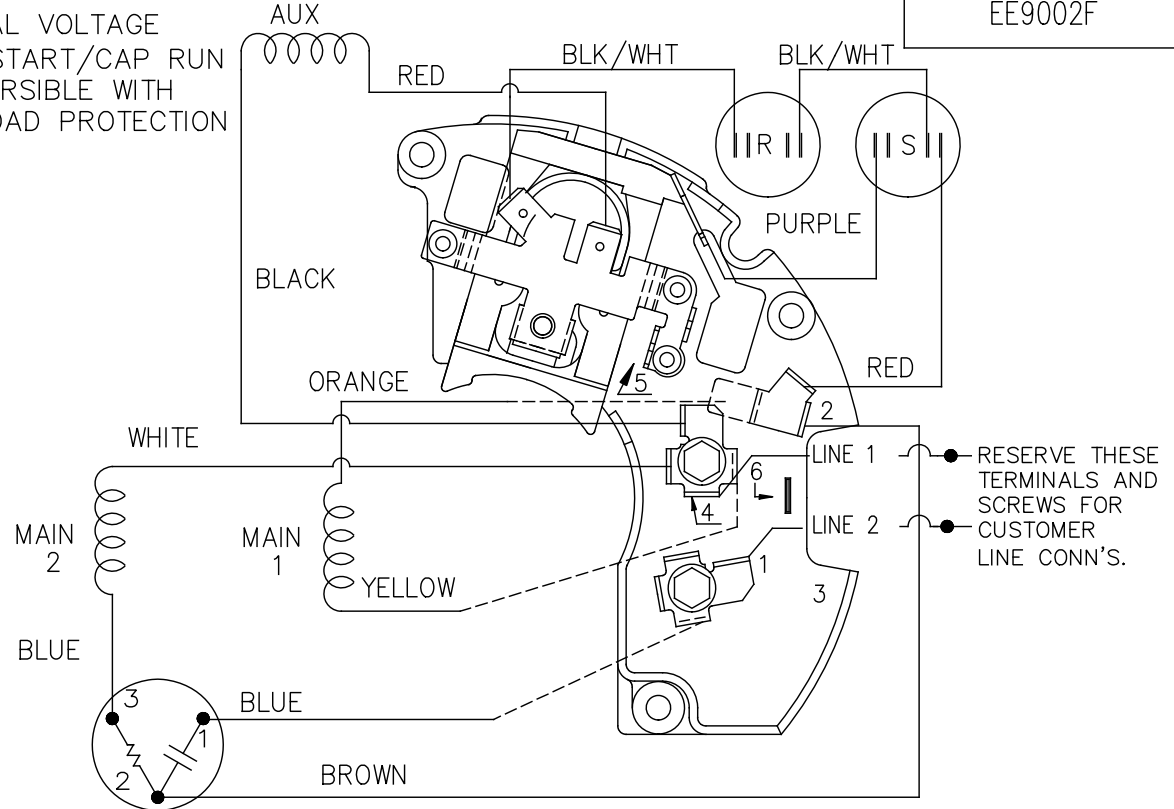
		TOLERANCES UNLESS SPECIFIED		DRAWN JAH 11/21/2014	
		DEC.	INCHES	CHK AB 11/21/2014	
		.X	±.1	APPD	
		.XX	±.03	SCALE 1:1	
		.XXX	±.005	REF SS404113/SS75609	
A	CREATED NEW DRAWING	JAH	11/21/2014	AB	.XXXX ±.0005
NO.	REVISION	BY & DATE	CHK	ANG	±7'30"
THIS DRAWING IN DESIGN AND DETAIL IS OUR PROPERTY AND MUST NOT BE USED EXCEPT IN CONNECTION WITH OUR WORK ALL RIGHTS OF DESIGN AND INVENTION ARE RESERVED THIS IS AN ELECTRONICALLY GENERATED DOCUMENT - DO NOT SCALE THIS PRINT				RFP	CAD FILE SS404114
				DIST	WP
		SIZE	DRAWING NO.	PAGE	1 OF 1
		A	SS404114	REV.	A

**REGAL**™ Regal Beloit America, Inc.

TITLE OUTLINE  
48 FRAME



DUAL VOLTAGE  
CAP START/CAP RUN  
REVERSIBLE WITH  
OVERLOAD PROTECTION




LOW VOLTAGE CCW ROTATION SHOWN.

FOR HIGH VOLTAGE  
CONNECT BROWN TERM 2 TO TERM 6.  
CONNECT WHITE TERM 4 TO TERM 2.

TO REVERSE ROTATION EITHER  
VOLTAGE INTERCHANGE RED  
LEAD WITH BLACK LEAD.

DASH LINES INDICATE LEADS CONNECTED  
TO MOTOR SIDE OF SWITCH.

5	REVISED LINE 2 LOCATION	RM 01-28-1991	TOLERANCES UNLESS SPECIFIED		 <b>Regal Beloit America, Inc.</b>	DRAWN ML 02-11-1988	
4	UPDATED SCHEMATIC PER CN 6014	DA 08-01-1990	DEC.	INCHES		CHK FG 02-11-1988	
3	RED LEAD FROM AUX WAS ON ANGLE TERM. PURPLE LEAD WAS RED CN 6014	DA 07-02-1990	.X	± -		APPD DNR 03-11-1988	
2	ADDED CUSTOMER CONNECTION NOTE. CN 6011	BW 08-03-1989	.XXX	± -		TITLE CONNECTION DIAGRAM 48 FR. DUAL VOLTAGE REVERSIBLE	SCALE 1=1
1	NEW DRAWING	ML 08-19-1988	.XXXX	± -		MAT'L.	REF
NO.	REVISION	BY & DATE	CHK	ANG	FINISH	PREV	
THIS DRAWING IN DESIGN AND DETAIL IS OUR PROPERTY AND MUST NOT BE USED EXCEPT IN CONNECTION WITH OUR WORK ALL RIGHTS OF DESIGN AND INVENTION ARE RESERVED THIS IS AN ELECTRONICALLY GENERATED DOCUMENT - DO NOT SCALE THIS PRINT			RFP	CAD FILE EE9002F		SIZE A	
			DIST WP			DRAWING NO. EE9002F	
					PAGE OF		
					REV. 5		



\*\* Subject to change without notice.