

PRODUCT INFORMATION PACKET

Model No: 213TTWRD6027
Catalog No: N318B
7 1/2,1800,TEFC,213T,3/60/208-230/460
General Purpose



Regal and Marathon are trademarks of Regal Beloit Corporation or one of its affiliated companies.
©2018 Regal Beloit Corporation, All Rights Reserved. MC017097E

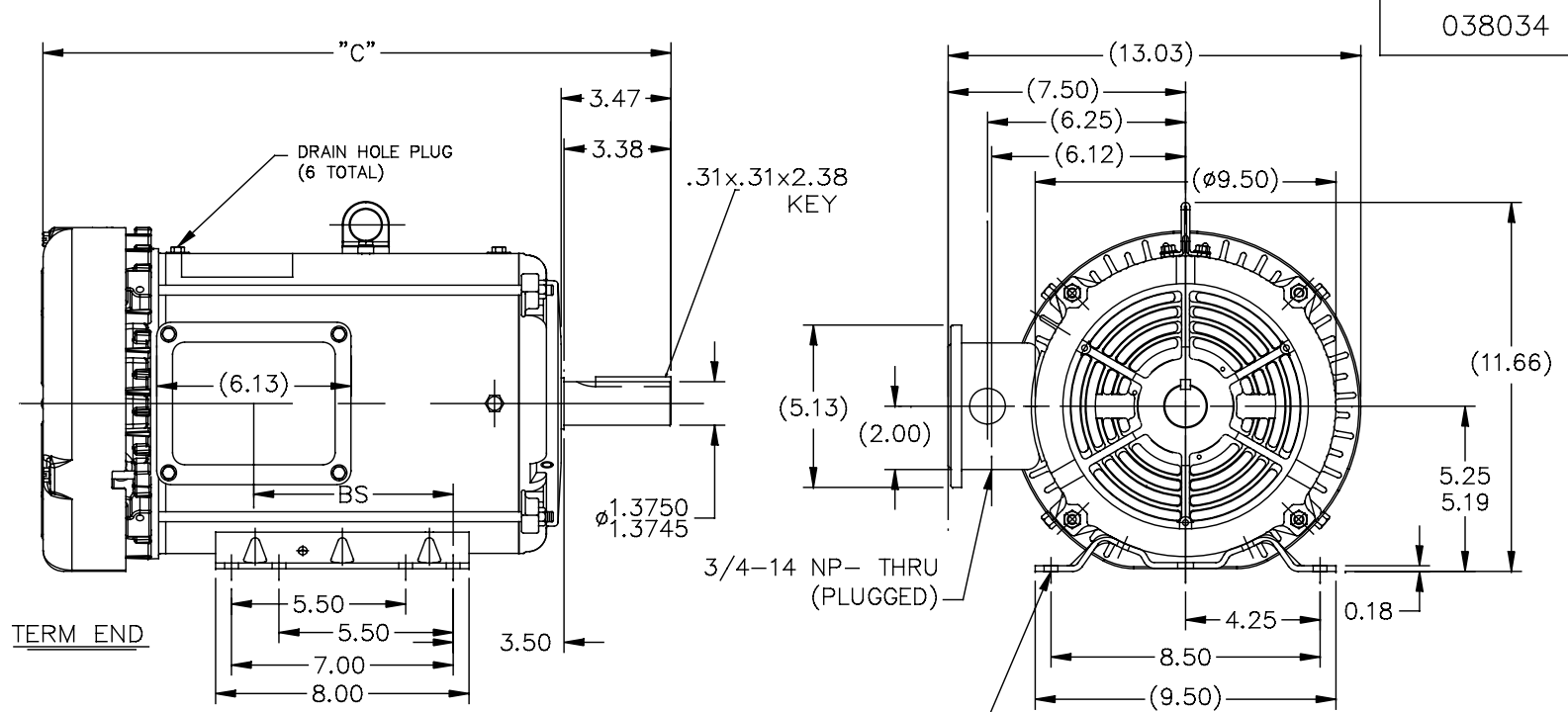


Nameplate Specifications

Output HP	7.50 Hp	Output KW	5.6 kW
Frequency	60 Hz	Voltage	208-230/460 V
Current	20.8-19.6/9.8 A	Speed	1765 rpm
Service Factor	1.15	Phase	3
Efficiency	91.7 %	Duty	Continuous
Insulation Class	F	Design Code	B
KVA Code	H	Frame	213T
Enclosure	Totally Enclosed Fan Cooled	Overload Protector	No
Ambient Temperature	40 °C	Drive End Bearing Size	6307
Opp Drive End Bearing Size	206	UL	Recognized
CSA	Y	CE	Y
IP Code	55		

Technical Specifications

Electrical Type	Squirrel Cage Inverter Rated	Starting Method	Line Or Inverter
Poles	4	Rotation	Reversible
Mounting	Rigid base	Motor Orientation	HORIZONTAL
Drive End Bearing	BALL	Opp Drive End Bearing	BALL
Frame Material	Rolled Steel	Shaft Type	T
Overall Length	18.04 in	Frame Length	9.65 in
Shaft Diameter	1.375 in	Shaft Extension	3.47 in
Assembly/Box Mounting	F1 ONLY		
Outline Drawing	038034-965	Connection Diagram	005010.01



038034

DASH	FRAME	C	BS	MOUNTING
965	213T	18.04	4.82	F1/F2
1115	213/15T	19.54	6.32	F1/F2
1240	215T	20.79	7.57	F1 ONLY

MAXIMUM FACE RUNOUT TO BE .004 T.I.R.
 MAXIMUM PILOT ECCENTRICITY TO BE .004 T.I.R.
 PERMISSIBLE SHAFT RUNOUT TO BE .002 T.I.R.
 ALIGN BASE TO C-FACE MOUNTING HOLES WITHIN ±1/16"

- SPECIAL FEATURES:**
- 1) SHAFT SEALS & V-RING
 - 2) PLUGGED DRAIN HOLES IN FRAME & CONDUIT BOX
 - 3) GASKETS THROUGHOUT
 - 4) STAINLESS STEEL SHAFT, HARDWARE & NAMEPLATE

		TOLERANCES UNLESS SPECIFIED		REGAL™ Regal Beloit America, Inc.		DRAWNSYED 08/21/2015					
		DEC.	INCHES			CHK AJ 08/21/2015					
		.X	±.1	TITLE		APPD					
		.XX	±.03	OUTLINE		SCALE 1=5					
01	FAN GUARD UPDATED	.XXX	±.005	210 FR. - BB - TS - TEFC - R/S		REF					
0	NEW DRAWING RELEASE	.XXXX	±.0005	MAT'L.		FMF					
NO.	REVISION	ANG	±1/2"	FINISH		PREV					
THIS DRAWING IN DESIGN AND DETAIL IS OUR PROPERTY AND MUST NOT BE USED EXCEPT IN CONNECTION WITH OUR WORK ALL RIGHTS OF DESIGN AND INVENTION ARE RESERVED THIS IS AN ELECTRONICALLY GENERATED DOCUMENT - DO NOT SCALE THIS PRINT				RFP	CAD FILE	038034	SIZE	DRAWING NO.	PAGE	OF	REV.
				DIST			A	038034			B

005010-01

VIEW FROM OUTSIDE OF MOTOR AT SWITCH END.



VOLTAGE	L1	L2	L3	JOIN & INSULATE
HIGH	T1	T2	T3	(T4,T7) (T5,T8) (T6,T9)
LOW	T1,T7	T2,T8	T3,T9	T4,T5,T6

				TOLERANCES UNLESS SPECIFIED		REGAL ™ Regal Beloit America, Inc.		DRAWN RDW 04/12/02		
				DEC.	INCHES			CHK		
				.X	±.1			APPD		
				.XX	±.01			SCALE 1=1		
				.XXX	±.005	TITLE		REF FIG.2-51		
A	UPDATED TO REGAL LOGO		SAJ 06/26/15	AJY .XXXX	±.0005	MAT'L.		FMF		
NO.	REVISION		BY & DATE	CHK	ANG ±1/2"	FINISH		PREV		
THIS DRAWING IN DESIGN AND DETAIL IS OUR PROPERTY AND MUST NOT BE USED EXCEPT IN CONNECTION WITH OUR WORK ALL RIGHTS OF DESIGN AND INVENTION ARE RESERVED THIS IS AN ELECTRONICALLY GENERATED DOCUMENT - DO NOT SCALE THIS PRINT				RFP	04/12/02	CAD FILE		SIZE	DRAWING NO.	REV.
				DIST	BRF-NLV	00501001		A	005010-01	A



P.O. BOX 8003
WAUSAU, WI 54401-8003
PH. 715-675-3311

DATA VOLTS: 460

CERTIFICATION DATA SHEET

CUSTOMER P.O. #:
 ORDER #: 00501001 REFERENCE MODEL #: 2131TWRD6027
 CONN. DIAGRAM: 038034-965 CAT #: N3188
 OUTLINE: K2134279 R1 2 CUSTOMER PART #:
 WINDING: MOUNTING: F1 ONLY
 SPEED:
 TYPICAL MOTOR PERFORMANCE DATA

HP	KW	SYNC RPM	FL RPM	FRAME	ENCLOSURE	TYPE	KVA CODE	DESIGN
7.5	5.6	1800	1765	213T	TEFC	TFW	H	B

PH	HZ	VOLTS	AMPS	START TYPE	DUTY	INSL	S.F.	AMB	ELEV.
3	60/50	208-230/460#190/380	20.8-19.6/9.88/16.6/8.3	LINE OR INVERTER	CONT	F	1.15	40	3300
	F.L. EFF	91.7	3/4 LD EFF	91.6	1/2 LD EFF	90.6	GTD EFF	ELECT. TYPE	
	F.L. PF	78.3	3/4 LD PF	72.6	1/2 LD PF	60.4	91.0	SO CAGE INV BATED	

F.L. TORQUE	LR AMPS @ 460 V	L.R. TORQUE	B.D. TORQUE	F.L. RISE (°C)		
22.3 LB-FT	67.5	52.9 LB-FT	75.0 LB-FT	336% 55		
@ 3 FT.	POWER	ROTOR WK ²	MAX. LOAD WK ²	SAFE STALL TIME	START/SHOUR	MOTOR WGT
62 DBA	71 DBA	0.85 LB-FT ²	62 LB-FT ²	15 SEC.	2	140 LB.

*** SUPPLEMENTAL INFORMATION ***

DE BRACKET TYPE	ODE BRACKET TYPE	MOUNT TYPE	MOTOR ORIENTATION	SEVERE DUTY	HAZARDOUS LOCATION	DRIP COVER	SCREENS	PAINT
STANDARD	STANDARD	RIGID	HORIZONTAL	NO	NONE	NO	NONE	HTE - LEESSON(EPO)

BEARINGS	GREASE	SHAFT TYPE	SPECIAL DE	SPECIAL ODE	SHAFT MATERIAL	FRAME MATERIAL
DE BALL 6307	POLYREX EM	T	NONE	NONE	303 STAINLESS (C-501)	ROLLED STEEL

THERMOSTATS	PROTECTORS	WDG RTD's	BRG RTD's	THERMISTORS	CONTROL	SPACE HEATERS
NONE	NOT	NONE	NONE	NONE	FALSE	NA

R1 (ohms/ph)	R2 (ohms/ph)	X1 (ohms/ph)	X2 (ohms/ph)	Xm (ohms/ph)	VIBRATION (in/sec)	FLOAT
0.76	1.108	2.458	3.173	50.414	0.150	ODE

INVERTER TORQUE: CONSTANT 10:1
 INV. HP SPEED RANGE: NONE

N	ENCODER: NONE	NONE PPR
O	NONE	
T	NONE	
E	NONE	
S	NONE	

PREPARED BY: FAREEDA DUDEKULA
 DATE: 9/17/2018

FORM: 3531 REV_4 2/27/06

UL: V/INS, CONST UL REC

FT-LB:	NA	NONE
VOLTAGE:	NONE	
HZ:		

Data Sheet

213TTWRD8027



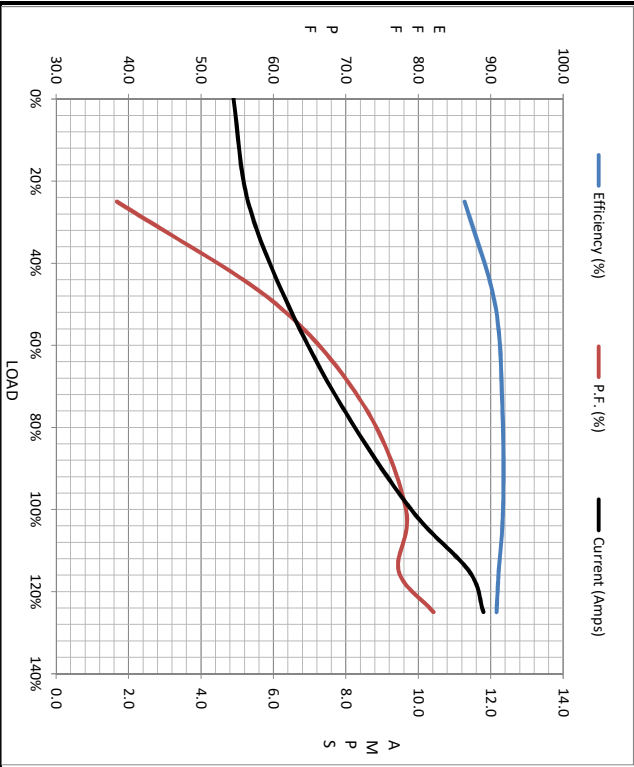
Submital Data @ 460 V

Date: 9/17/2018
 Customer:
 Attention:
 Submitted by: FAREEDA DUDEKULA

Load	Motor Load Data									
	0%	25%	50%	75%	100%	115%	125%	LR		
Current (Amps)	4.9	5.3	6.4	7.9	9.8	11.4	11.8	67.5		
Torque (ft-lb)	0.00	5.5	11.0	16.6	22.3	25.5	28.0	52.9		
RPM	1800	1792	1785	1775	1765	1,765	1762	0		
Efficiency (%)		86.4	90.6	91.6	91.7	91.1	90.8			
P.F. (%)	4.9	38.4	60.4	72.6	78.3	77.3	82.1	42.6		

Motor Speed Data					
	LR	Pull-Up	BD	Rated	Idle
Speed (RPM)	0	900	1600	1765	1800
Current (Amps)	67.5	57.0	41.0	9.8	4.9
Torque (ft-lb)	52.9	49.0	75.0	22.3	0.00

Information Block	
HP	7.5
Sync. RPM	1800
Frame	213182TTC6080
Enclosure	TEFC
Construction	TFW
Voltage	208-230/460#190/380 V
Frequency	60 Hz
Design	B
LR Code letter	H
Service Factor	1.15
Temp Rise @ FL	55 °C
Duty	CONT
Ambient	40 °C
Elevation	1,000 feet
Rotor/Shaft wk ²	0.85 Lb-Ft ²
Ret Wdg	K2134279 R1
Sound Pressure @ 1M	62 dBA
VFD Rating	CONSTANT 10:1
Outline Dwg	038094-965
Conn. Diag	005010.01
Additional Specifications:	
0	
0	



R1	R2	X1	X2	Xm
0.7600	1.1080	2.4580	3.1730	50.4140

