

# PRODUCT INFORMATION PACKET

Model No: 056T17D11047  
Catalog No: K003A  
1,1800,DP,56,3/60/208  
Open Drip Proof (ODP)



Regal and Marathon are trademarks of Regal Beloit Corporation or one of its affiliated companies.  
©2018 Regal Beloit Corporation, All Rights Reserved. MC017097E



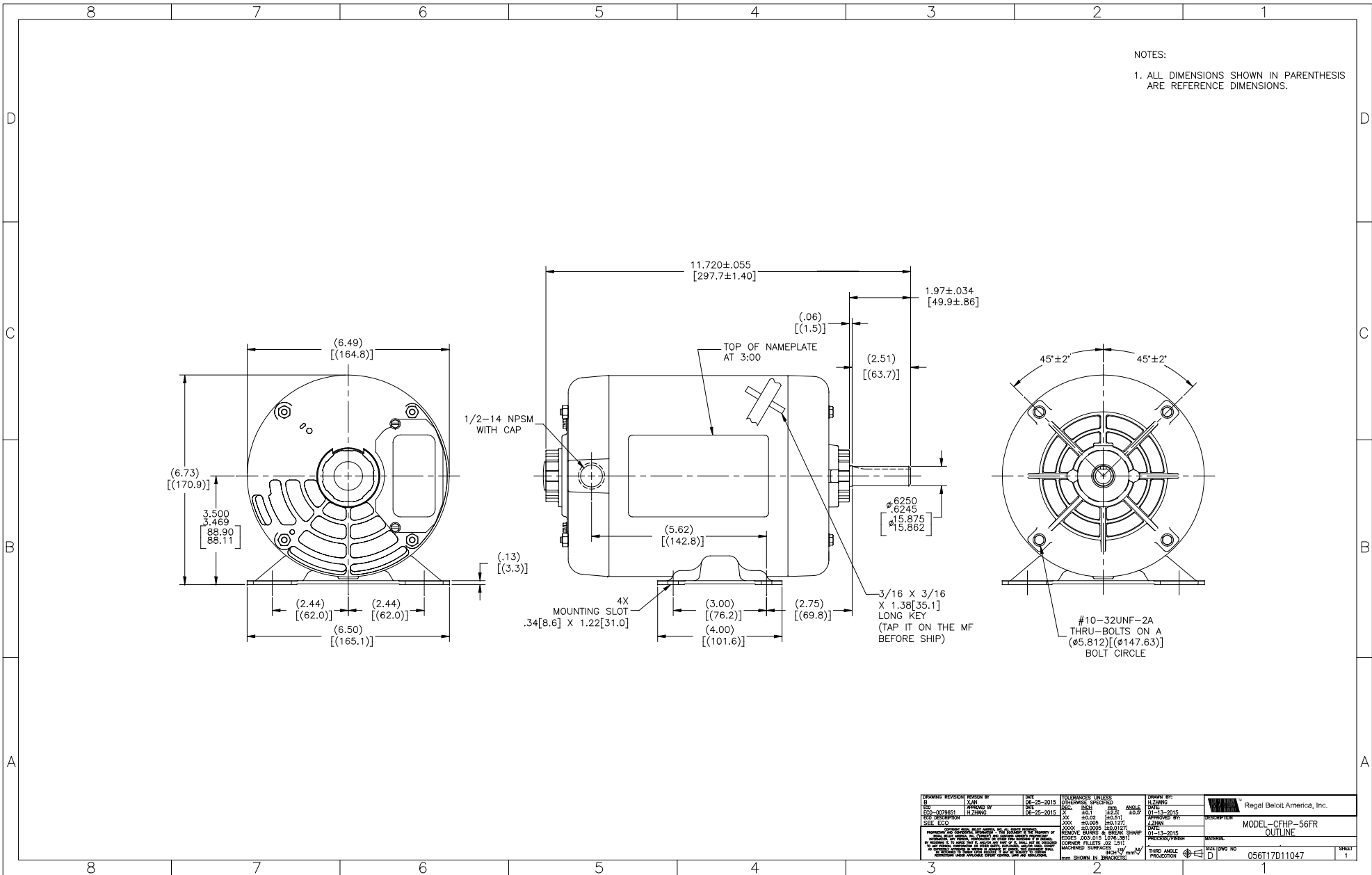
### Nameplate Specifications

Output HP	<b>1 Hp</b>	Output KW	<b>0.75 kW</b>
Frequency	<b>60 Hz</b>	Voltage	<b>208 V</b>
Current	<b>3.3 A</b>	Speed	<b>1725 rpm</b>
Service Factor	<b>1.15</b>	Phase	<b>3</b>
Efficiency	<b>83.5 %</b>	Duty	<b>Continuous</b>
Insulation Class	<b>B</b>	Design Code	<b>B</b>
KVA Code	<b>M</b>	Frame	<b>56</b>
Enclosure	<b>Drip Proof</b>	Overload Protector	<b>No</b>
Ambient Temperature	<b>40 °C</b>	Drive End Bearing Size	<b>6203</b>
Opp Drive End Bearing Size	<b>6203</b>	UL	<b>Recognized</b>
CSA	<b>Y</b>	CE	<b>Y</b>
IP Code	<b>22</b>		

### Technical Specifications

Electrical Type	<b>Squirrel Cage Induction Run</b>	Starting Method	<b>Across The Line</b>
Poles	<b>4</b>	Rotation	<b>Reversible</b>
Mounting	<b>Rigid base</b>	Motor Orientation	<b>HORIZONTAL</b>
Drive End Bearing	<b>BALL</b>	Opp Drive End Bearing	<b>BALL</b>
Frame Material	<b>Rolled Steel</b>	Shaft Type	<b>T</b>
Overall Length	<b>11.72 in</b>	Frame Length	<b>5.75 in</b>
Shaft Diameter	<b>0.625 in</b>	Shaft Extension	<b>2.51 in</b>
Assembly/Box Mounting	<b>F1 OUT ODE BRKT RADIAL</b>		
Outline Drawing	<b>056T17D11047</b>	Connection Diagram	<b>D0000569-001</b>

This is an uncontrolled document once printed or downloaded and is subject to change without notice. Date Created: 10/30/2018



DRAWING REVISIONS		DATE	BY	DESCRIPTION	APPROVED BY	DATE	BY	DESCRIPTION	APPROVED BY	DATE	BY	DESCRIPTION
B		06-25-2015	XAM			06-25-2015	HLZMWP			01-13-2015		
TOLERANCES UNLESS OTHERWISE SPECIFIED: DIMS: .001 .002 .005 .010 .015 .030 .050 .100 .150 .300 .500 .750 1.000 ANGLES: ±.05° SURF. FINISH: XXXX .00005 (30.0125) XXXX .00005 (30.0125) XXXX .00005 (30.0125) XXXX .00005 (30.0125) HORNES BORES & GROOVES SHARP EDGES .001 (0.125) (0.125) (0.125) (0.125) CORNER FILLETS .02 (0.50) (0.50) (0.50) (0.50) MACHINED SURFACES: .001 (0.125) (0.125) (0.125) (0.125) DIMS SHOWN IN BRACKETS: .001 (0.125) (0.125) (0.125) (0.125)												
DRAWN BY: HLZMWP CHECKED BY: XAM DATE: 01-13-2015 PROJECT NO: 056117011047 SHEET NO: 1 SHEET TOTAL: 1										Regal Beloit America, Inc. MODEL-CFHP-56FR OUTLINE		