

PRODUCT INFORMATION PACKET

Model No: 213TTFBD6007
Catalog No: GT1415A
7 1/2,3600,TEFC,213TC,3/60/575
Totally Enclosed Fan Cooled (TEFC)



Regal and Marathon are trademarks of Regal Beloit Corporation or one of its affiliated companies.
©2018 Regal Beloit Corporation, All Rights Reserved. MC017097E





Nameplate Specifications

Output HP	7.50 Hp	Output KW	5.6 kW
Frequency	60 Hz	Voltage	575 V
Current	7.4 A	Speed	3520 rpm
Service Factor	1.15	Phase	3
Efficiency	90.3 %	Duty	Continuous
Insulation Class	F	Design Code	B
KVA Code	H	Frame	213TC
Enclosure	Totally Enclosed Fan Cooled	Overload Protector	No
Ambient Temperature	40 °C	Drive End Bearing Size	6307
Opp Drive End Bearing Size	6206	UL	Recognized
CSA	Y	CE	Y
IP Code	43		

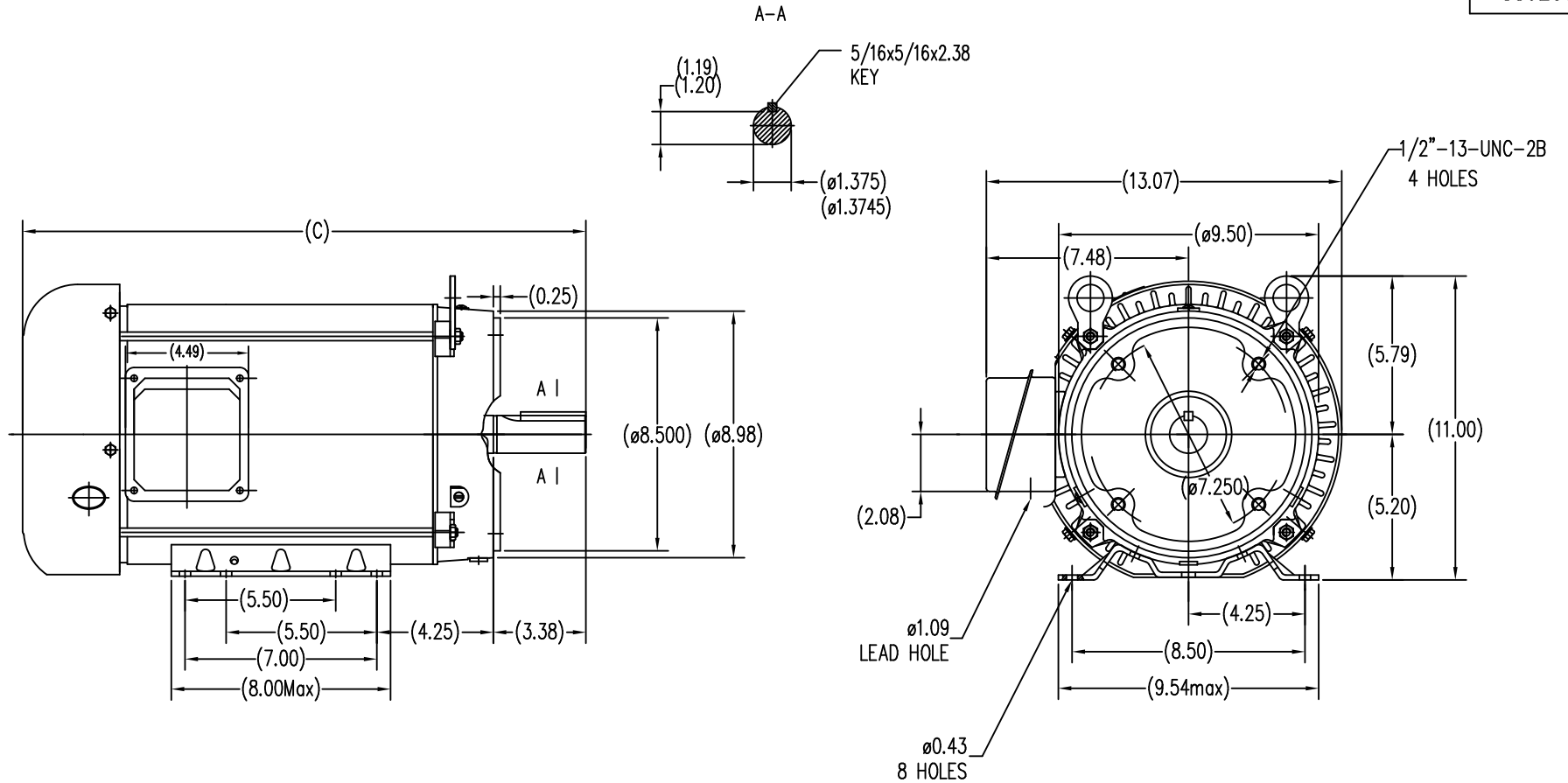
Technical Specifications

Electrical Type	Squirrel Cage Inverter Rated	Starting Method	Line Or Inverter
Poles	2	Rotation	Reversible
Mounting	Rigid base	Motor Orientation	Horizontal
Drive End Bearing	Ball	Opp Drive End Bearing	Ball
Frame Material	Rolled Steel	Shaft Type	T
Frame Length	9.65 in	Shaft Diameter	1.375 in
Shaft Extension	3.38 in	Assembly/Box Mounting	F1/F2 Capable
Outline Drawing	SS620688	Connection Diagram	EE7300

This is an uncontrolled document once printed or downloaded and is subject to change without notice. Date Created: 07/02/2018

Uncontrolled Copy

SS620688



213TC	19.1
215TC	20.7
FRAME	C

NO.		REVISION	BY & DATE	CHK	ANG	±1/2"	FINISH	CAD FILE		SS620688	SIZE	DRAWING NO.	REV.	
TOLERANCES UNLESS SPECIFIED							REGAL REGAL-BELOIT CORPORATION		DRAWN ZXW 06-03-2015					
DEC. INCHES							TITLE		CHK ZL 06-03-2015					
.X ±.1							213/215TC-Face		APPD ZYH 06-03-2015					
.XX ±.03							OUTLINE		SCALE					
.XXX ±.005							TEFC ROLLED STEEL		REF					
.XXXX ±.0005							MATL.		FMF REGAL-WUXI					
THIS DRAWING IN DESIGN AND DETAIL IS OUR PROPERTY AND MUST NOT BE USED EXCEPT IN CONNECTION WITH OUR WORK ALL RIGHTS OF DESIGN AND INVENTION ARE RESERVED THIS IS AN ELECTRONICALLY GENERATED DOCUMENT - DO NOT SCALE THIS PRINT							RFP		PREV					
DIST							CAD FILE		SS620688		B		SS620688	
													2	

**THREE PHASE - SINGLE VOLTAGE
MOTOR - CONDUIT BOX @ 'A'**

**TO REVERSE ROTATION:
INTERCHANGE ANY TWO
LINE LEAD CONNECTIONS.**

TERMINAL BLOCK WHEN SPECIFIED



VIEW OF TERMINAL END

**IF MOTOR HAS
6 LEADS**

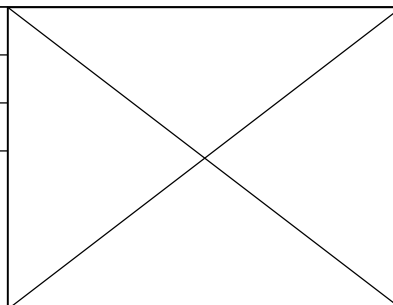



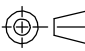
A-9806 DECAL

**OPTIONAL CORD
CONNECTION**

- L1 WHITE
- L2 RED
- L3 BLACK

DRAWING REVISION AB	REVISION BY JJB	DATE 06-27-2017
ECO ECO-0125361	APPROVED BY TB	DATE 06-27-2017
ECO DESCRIPTION UPDATED TO CURRENT STANDARDS		
<small>COPYRIGHT REGAL BELOIT AMERICA, INC. ALL RIGHTS RESERVED. PROPRIETARY AND CONFIDENTIAL INFORMATION - THIS DOCUMENT IS THE PROPERTY OF REGAL BELOIT AMERICA, INC. ("OWNER") AND CONTAINS OWNER'S PROPRIETARY INFORMATION. ANY PERSON, CORPORATION OR OTHER FIRM RECEIVING IT IS DEEMED, BY RECEIVING IT, TO AGREE THAT IT, AND/OR ANY PART OF IT, SHALL NOT BE DISCLOSED TO ANY PERSON, CORPORATION OR OTHER ENTITY, DUPLICATED, AND/OR USED, EXCEPT AS EXPRESSLY APPROVED IN WRITING IN ADVANCE BY OWNER. THIS DOCUMENT SHALL BE RETURNED TO OWNER UPON REQUEST. IT MAY BE SUBJECT TO CERTAIN RESTRICTIONS UNDER APPLICABLE EXPORT CONTROL LAWS AND REGULATIONS.</small>		



DRAWN BY DA	 Regal Beloit America, Inc.
DATE 03-26-1993	
APPROVED BY TB	DESCRIPTION CONNECTION DIAGRAM
DATE 03-26-1993	EXTERNAL - SINGLE VOLTAGE - 3Ø MOTOR
REFERENCE	MATERIAL
PROCESS/FINISH	
THIRD ANGLE PROJECTION 	SIZE A
DRAWING NUMBER EE7300	SHEET 1 OF 1



**P.O. BOX 8003
WAUSAU, WI 54401-8003
PH. 715-675-3311**

CERTIFICATION DATA SHEET

CUSTOMER: CUSTOMER PO #:
ORDER #: MODEL #: 213TTFBD6007 AA
CONN. DIAGRAM: EE7300 CUSTOMER PART #:
OUTLINE: SS620688 MOUNTING: F1/F2 CAPABLE
WINDING #: HE31322011 3

TYPICAL MOTOR PERFORMANCE DATA

HP	KW	SYNC. RPM	F.L. RPM	FRAME	ENCLOSURE	KVA CODE	DESIGN	
7 1/2	5.60	3600	3520	213TC	TEFC	H	B	
PH	HZ	VOLTS	AMPS	START TYPE	DUTY	INSL	S.F.	AMB°C
3	60	575	7.4	LINE OR INVERTER	CONTINUOUS	F7	1.15	40

FULL LOAD EFF:	90.3	3/4 LOAD EFF:	89.9	1/2 LOAD EFF:	86.9	GTD. EFF		ELEC. TYPE
FULL LOAD PF:	84.6	3/4 LOAD PF:	81.9	1/2 LOAD PF:	73	88.5		SQ CAGE INV RATED

F.L. TORQUE	LOCKED ROTOR AMPS	L.R. TORQUE	B.D. TORQUE	F.L. RISE°C
11.2 LB-FT	48	20 LB-FT	179 %	32 LB-FT
				286 %

SOUND PRESSURE @ 3 FT.	SOUND POWER	ROTOR WK^2	MAX. WK^2	SAFE STALL TIME	STARTS / HOUR	APPROX. MOTOR WGT
72 DBA	82 DBA	0.5 LB-FT^2	12 LB-FT^2	20 SEC.	2	146 LBS.

*** SUPPLEMENTAL INFORMATION ***

DE BRACKET TYPE	ODE BRACKET TYPE	MOUNT TYPE	ORIENTATION	SEVERE DUTY	HAZARDOUS LOCATION	DRIP COVER	SCREENS	PAINT
C-FACE	STANDARD	RIGID	HORIZONTAL	FALSE	NONE	FALSE	NONE	BLUE (ENAMEL)

BEARINGS	GREASE	SHAFT TYPE	SPECIAL DE	SPECIAL ODE	SHAFT MATERIAL	FRAME MATERIAL
DE ODE BALL BALL	POLYREX EM	T	NONE	NONE	1045 HOT ROLLED (C-204)	ROLLED STEEL
6307	6206					

THERMO-PROTECTORS				THERMISTORS			SPACE HEATERS	
THERMOSTATS	PROTECTORS	WDG RTDS	BRG RTDS	NONE	FALSE	NONE	NONE	VOLTS
NONE	NOT	NONE	NONE					

INVERTER
TORQUE: CONSTANT 20:1/VARIABLE 20:1
INV. HP SPEED RANGE: NONE

ENCODER: NONE
 NONE NONE
 NONE NONE PPR

BRAKE: NONE NONE
 NONE P/N NONE
 NONE NONE
 NONE FT-LB NONE V NONE HZ

PREPARED BY: Anusha Muthyala
DATE: 05/03/2018 11:56:04 PM
FORM 3531 REV.3 02/07/99
 ** Subject to change without notice.

MARATHON ELECTRIC CORPORATION

TYPICAL PERFORMANCE CURVE for AC MOTOR

Customer

Curve at

575

Volts

HP 7.50

PHASE 3

Model No 213TTFBD6007

60

HZ

VOLTS 575

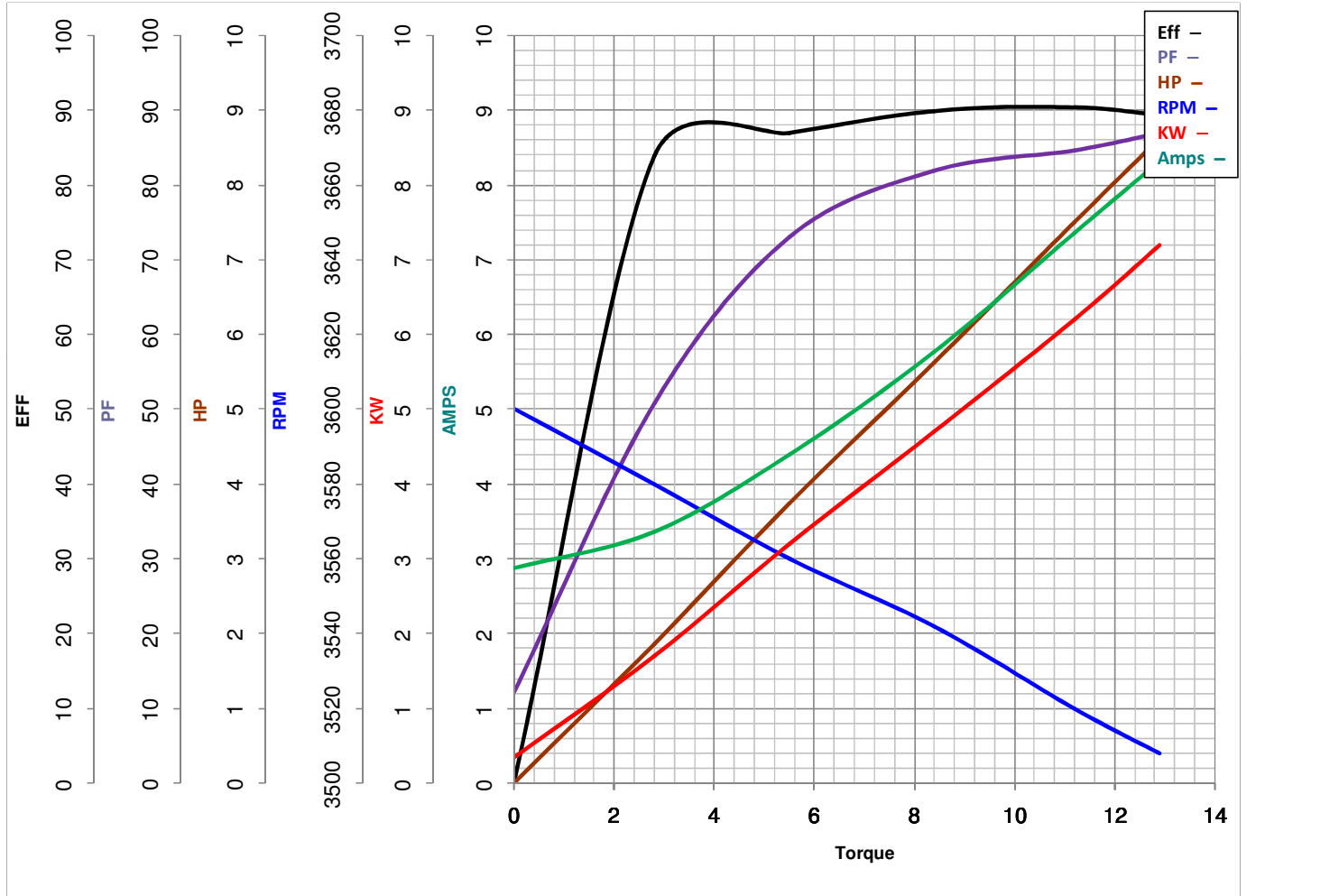
7.5

HP

Catalog No GT1415A

HZ 60

RPM 3520



Torque in Lb.Ft

FL TORQUE 11.2 Lb.Ft
 BD TORQUE 32.0 Lb.Ft
 LR TORQUE 20 Lb.Ft

FL AMPS 7.4
 PU TORQUE 17.5 Lb.Ft
 LR AMPS 48

WINDING HE31322011-3

Prepared By

ANUSHA M

Date

5/4/2018