

PRODUCT INFORMATION PACKET



Model No: 056T11O15572
Catalog No: X512-P
0.75,1200,OPAO,56HZ,3/60/208-230/460
Condenser Fans

Regal and Marathon are trademarks of Regal Beloit Corporation or one of its affiliated companies.
©2018 Regal Beloit Corporation, All Rights Reserved. MC017097E



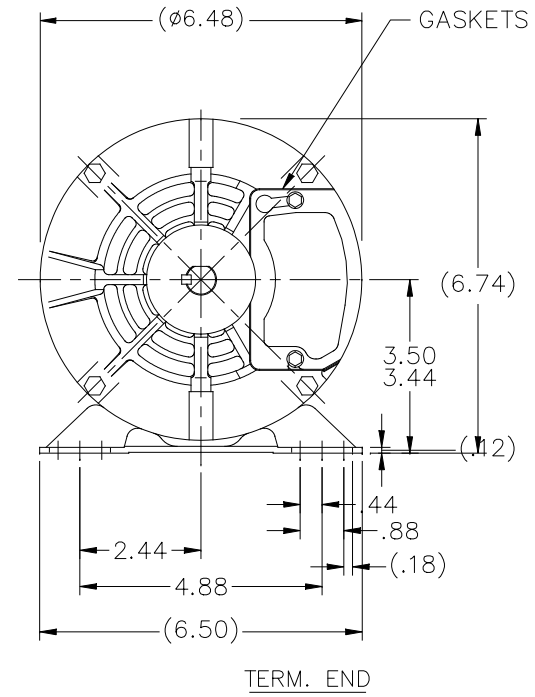
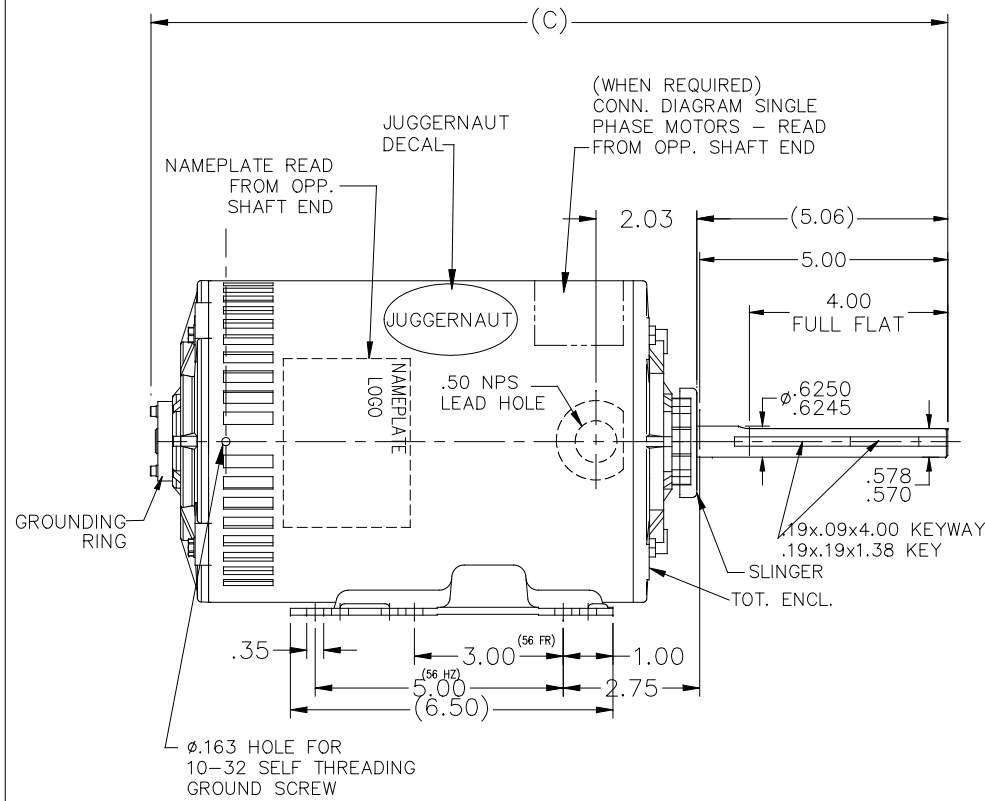
Nameplate Specifications

Output HP	0.75 Hp	Output KW	0.56 kW
Frequency	60 Hz	Voltage	208-230/460 V
Current	3.2-3.2/1.6 A	Speed	1140 rpm
Service Factor	1	Phase	3
Efficiency	74 %	Duty	Continuous
Insulation Class	H	Design Code	B
KVA Code	K	Frame	56HZ
Enclosure	Open Air Over	Overload Protector	Automatic Lock Rotor Only
Ambient Temperature	70 °C	Drive End Bearing Size	6203
Opp Drive End Bearing Size	6203	UL	Recognized
CSA	Y	CE	N
IP Code	10		

Technical Specifications

Electrical Type	Squirrel Cage Induction Run	Starting Method	Across The Line
Poles	6	Rotation	Reversible
Mounting	Rigid base	Motor Orientation	HORIZONTAL
Drive End Bearing	BALL	Opp Drive End Bearing	BALL
Frame Material	Rolled Steel	Shaft Type	Single Special Extension
Overall Length	14.51 in	Frame Length	7.16 in
Shaft Diameter	0.625 in	Shaft Extension	5.06 in
Assembly/Box Mounting	F2 ONLY		
Outline Drawing	607-0315-001	Connection Diagram	A-102007-1

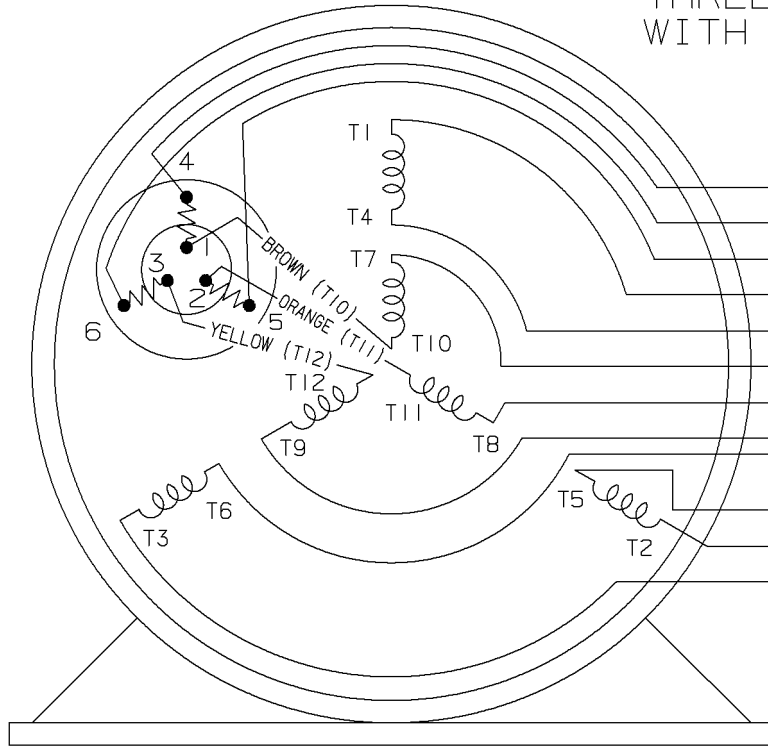
607-0315



DASH	FR.	C
001	706	56-80 14.51

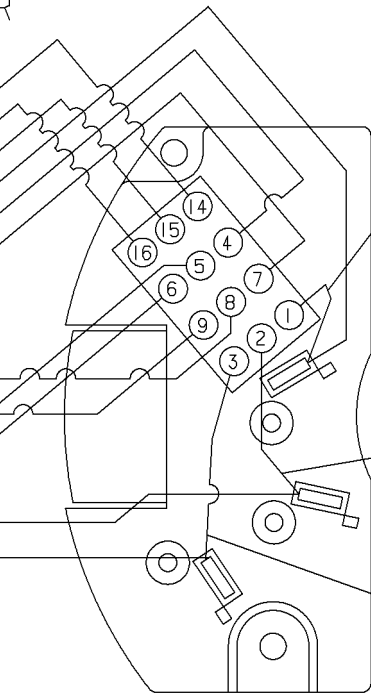
		TOLERANCES UNLESS SPECIFIED		MARATHON ELECTRIC	DRAWN EL 8/25/2018				
DEC.	INCHES	XX	±.03		CHK	SCALE 5=16			
.X	±.1	.XX	±.03	TITLE OUTLINE BCP 56 FR.	APPD	REF 107126			
.XXX	±.005	.XXX	±.005		SCALE 5=16	REF 107126			
.XXXX	±.0005	.XXXX	±.0005		FMF	PREV			
NO.	REVISION	BY & DATE	CHK ANG	±'30"	FINISH	SIZE	DRAWING NO.	PAGE OF	REV.
B	ADDED JUGGERNAUT DECAL	LST 10/25/18	CHK ANG	±'30"	FINISH	A	607-0315	1 OF	B
THIS DRAWING IN DESIGN AND DETAIL IS OUR PROPERTY AND MUST NOT BE USED EXCEPT IN CONNECTION WITH OUR WORK ALL RIGHTS OF DESIGN AND INVENTION ARE RESERVED THIS IS AN ELECTRONICALLY GENERATED DOCUMENT - DO NOT SCALE THIS PRINT				RFP	CAD FILE 607-0315	DRAWING NO. 607-0315		PAGE OF	REV. B
				DIST WP					

THREE PHASE-DUAL VOLTAGE WITH THERMAL PROTECTOR



VIEW OF TERMINAL END

- (T14) BROWN
- (T16) YELLOW
- (T15) ORANGE
- (T1) RED
- T4
- T7
- T8
- T9
- T6
- T5
- (T2) BLUE
- (T3) BLACK

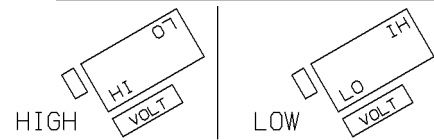


VIEWING BOTTOM OF TERMINAL BOARD

RED
 NUMBERS SHOWN ON TERM BOARD ARE FOR REF. ONLY.
 (NUMBERS DO NOT APPEAR ON PARTS.)

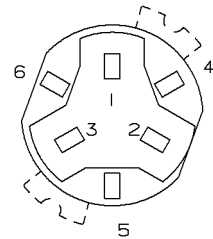
BLUE
 BLACK

TO CHANGE VOLTAGE, PULL PLUG, ROTATE 180° AND REINSERT



CONNECT LINES TO L1, L2 & L3

NOTE:
 ACTUAL PROTECTORS TERMINAL LOCATIONS FOR LEAD CONNECTIONS



4	06-26-1995	1,2,3 WERE SWITCHED WITH 4,5,6 ON THE TERMINAL CN 20644	BR	✓ MAX. SURFACE ROUGHNESS UNLESS NOTED OTHERWISE	UNLESS OTHERWISE SPECIFIED DIMENSIONS ARE IN INCHES TOL. ON XX±.02 XXX±.005 XXXX±.0005 ANGLES± 7°30"			
3	05-18-1994	ADDED ACTUAL PROTECTOR VIEW CN 17481	KL	MATL SPEC				DRAWN BY RM 07-20-1993
2	07-20-1993	REDRAWN ON CADD, ORIGINAL LOST. REV. VCD TO COLORED LEADS CNI3741	RM	REFERENCE DRW.				Wausau, Wisconsin 54401
REV	DATE	CHANGE	NAME	PART NAME CONNECTION DIAGRAM 3Ø - DUAL VOLTAGE MOTOR				DRWG NO A- 102007-1

SHOP BOOK | PURCHASED | DISTRIBUTION - WA - LB - WP - LM - BR | CADD FILE NO. | 102007-1