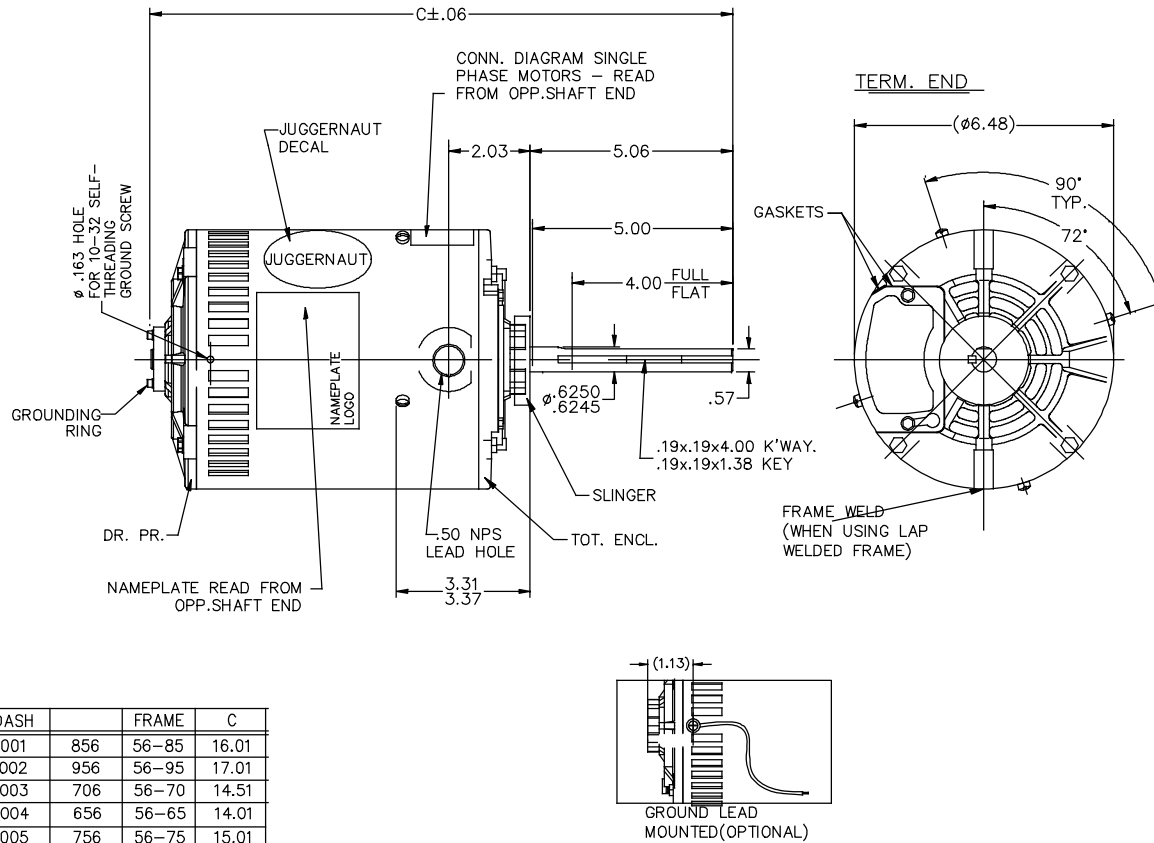


607-0314



DASH	FRAME	C
001	856 56-85	16.01
002	956 56-95	17.01
003	706 56-70	14.51
004	656 56-65	14.01
005	756 56-75	15.01

		TOLERANCES UNLESS SPECIFIED		DRAWN EL 8/21/2017	
		DEC.	INCHES	CHK	
		.X	±.1	APPD	
		.XX	±.03	SCALE 3=8	
		.XXX	±.005	REF	
F	ADDED DECAL JUGGERNAUT	LST 10/25/2018	.XXXX	±.0005	MAT'L.
NO.	REVISION	BY & DATE	CHK	ANG	FINISH
THIS DRAWING IN DESIGN AND DETAIL IS OUR PROPERTY AND MUST NOT BE USED EXCEPT IN CONNECTION WITH OUR WORK ALL RIGHTS OF DESIGN AND INVENTION ARE RESERVED THIS IS AN ELECTRONICALLY GENERATED DOCUMENT - DO NOT SCALE THIS PRINT			RFP	CAD FILE 607-0314	SIZE A
			DIST WP		DRAWING NO. 607-0314
					PAGE OF 8
					REV. F



Regal Beloit America, Inc.

TITLE OUTLINE

SIZE A DRAWING NO. 607-0314 PAGE OF 8 REV. F