

PRODUCT INFORMATION PACKET

Model No: 365TSTD4347
Catalog No: U525A
ODP 365TS-4-75HP 190/380-400V 60Hz Fire Pump
Fire Pump



Regal and Marathon are trademarks of Regal Beloit Corporation or one of its affiliated companies.
©2018 Regal Beloit Corporation, All Rights Reserved. MC017097E

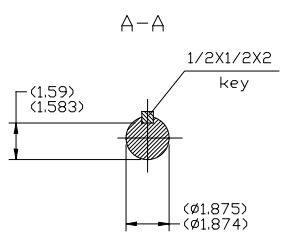
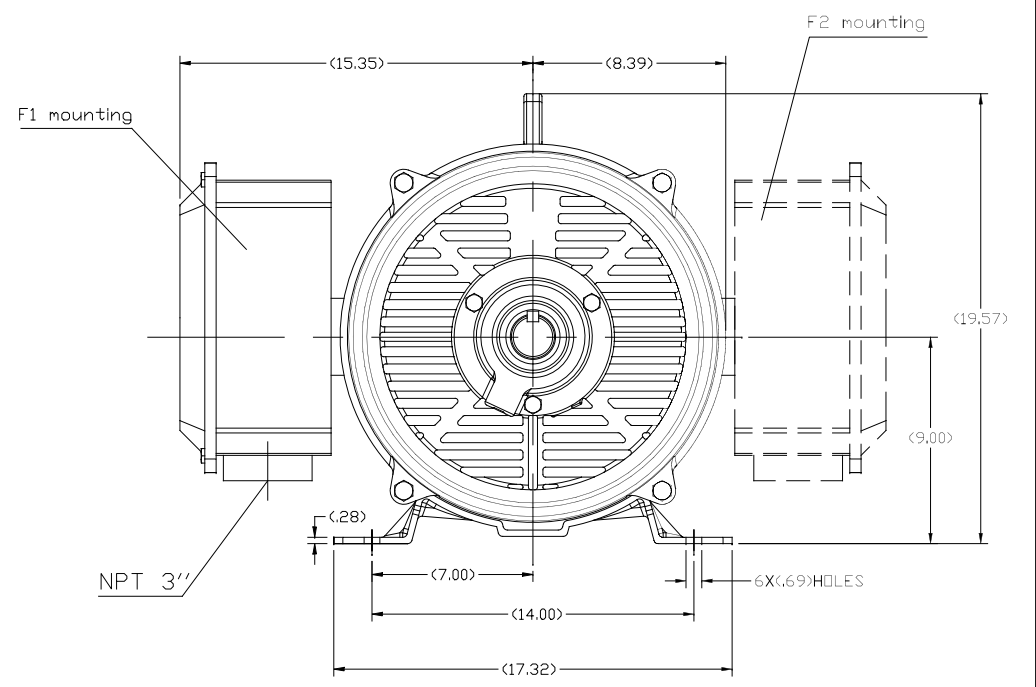
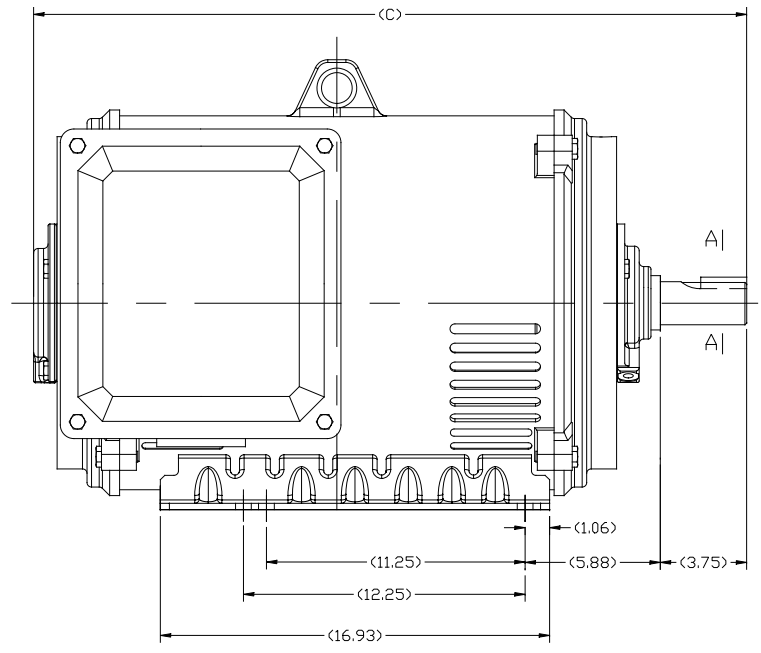


Nameplate Specifications

Output HP	75 Hp	Output KW	56.0 kW
Frequency	60 Hz	Voltage	190/380-400 V
Current	206.0/103.0-97.0 A	Speed	1780 rpm
Service Factor	1.15	Phase	3
Efficiency	94.1 %	Duty	Continuous
Insulation Class	F	Design Code	B
KVA Code	F	Frame	365TS
Enclosure	Drip Proof	Overload Protector	No
Ambient Temperature	50 °C	Drive End Bearing Size	6314
Opp Drive End Bearing Size	6313	UL	No
CSA	Y	CE	Y
IP Code	23		

Technical Specifications

Electrical Type	Squirrel Cage Induction Run	Starting Method	Part Wdg Start & Wye Start Delta Run
Poles	4	Rotation	Reversible
Mounting	Rigid base	Motor Orientation	HORIZONTAL
Drive End Bearing	BALL	Opp Drive End Bearing	BALL
Frame Material	Cast Iron	Shaft Type	TS
Overall Length	31.14 in	Frame Length	18.89 in
Shaft Diameter	1.875 in	Shaft Extension	3.75 in
Assembly/Box Mounting	F1/F2 CAPABLE		
Outline Drawing	SS620748-365TS	Connection Diagram	EE7308AA



364TS	29.57
365TS	31.14
FRAME	C

NO.	REVISION	BY & DATE	CHK	ANG	TOLERANCES UNLESS SPECIFIED		FINISH	CAD FILE	SS620748	SIZE	DRAWING NO.	REV.	
					DEC.	INCHES							
					.X	±.1							
					.XX	±.03	TITLE						
					.XXX	±.005	364/365TS ODP-ROLLED STEEL						
					.XXXX	±.0005	MAT'L.						
						±1/2°	REGAL REGAL-BELOIT CORPORATION						
THIS DRAWING IN DESIGN AND DETAIL IS OUR PROPERTY AND MUST NOT BE USED EXCEPT IN CONNECTION WITH OUR WORK ALL RIGHTS OF DESIGN AND INVENTION ARE RESERVED THIS IS AN ELECTRONICALLY GENERATED DOCUMENT - DO NOT SCALE THIS PRINT								RFP					
								DIST			B	SS620748	2



LOW VOLTAGE

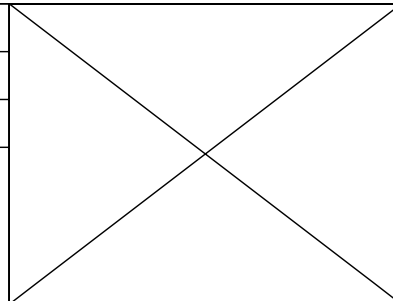


HIGH VOLTAGE



VIEW OF TERMINAL END

DRAWING REVISION K	REVISION BY AJW	DATE 07-17-2015
ECO ECO-0081632	APPROVED BY T. VUE	DATE 07-17-2015
ECO DESCRIPTION REV'D IEC MARKINGS PER IEC 60034-8		
<small> COPYRIGHT REGAL BELOIT AMERICA, INC. ALL RIGHTS RESERVED. PROPRIETARY AND CONFIDENTIAL INFORMATION - THIS DOCUMENT IS THE PROPERTY OF REGAL BELOIT AMERICA, INC. ("OWNER") AND CONTAINS OWNER'S PROPRIETARY INFORMATION. ANY PERSON, CORPORATION OR OTHER FIRM RECEIVING IT IS DEEMED, BY RECEIVING IT, TO AGREE THAT IT, AND/OR ANY PART OF IT, SHALL NOT BE DISCLOSED TO ANY PERSON, CORPORATION OR OTHER ENTITY, DUPLICATED, AND/OR USED, EXCEPT AS EXPRESSLY APPROVED IN WRITING IN ADVANCE BY OWNER. THIS DOCUMENT SHALL BE RETURNED TO OWNER UPON REQUEST. IT MAY BE SUBJECT TO CERTAIN RESTRICTIONS UNDER APPLICABLE EXPORT CONTROL LAWS AND REGULATIONS. </small>		



DRAWN BY LZ	Regal Beloit America, Inc.	
DATE 01-12-1994		
APPROVED BY GK	DESCRIPTION CONN DIAGRAM-EXTERNAL 3Ø-2/1 DELTA-12 LEADS	
DATE 01-14-1994		
REFERENCE	MATERIAL	PROCESS/FINISH
THIRD ANGLE PROJECTION	SIZE A	DRAWING NUMBER EE7308AA
		SHEET 1 OF 1



P.O. BOX 8003
WAUSAU, WI 54401-8003
PH. 715-675-3311

DATA VOLTS: 460

CERTIFICATION DATA SHEET

CUSTOMER P.O. #:
 ORDER #: EE7308AA
 REFERENCE MODEL #: 365STDCC4347
 CONN. DIAGRAM: SS620748
 CAT #: U525A
 OUTLINE: IE2L2254101 NONE 3
 CUSTOMER PART #:
 WINDING: IE2L2254101 NONE 3
 MOUNTING: F1/F2 CAPABLE
 SPEED:
 TYPICAL MOTOR PERFORMANCE DATA

HP	KW	SYNC RPM	FL RPM	FRAME	ENCLOSURE	TYPE	KVA CODE	DESIGN
75	56	1800	1780	365TS	DP	TDC	F	B

PH	HZ	VOLTS	AMPS	START TYPE	DUTY	INSL	S.F.	AMB	ELEV.
3	60	190/380	206/103	WS(LV ONLV) & YDRU	CONT	F	1.15	50	3300
	F.L. EFF	94.1	3/4 LD EFF	94.1	1/2 LD EFF	93.0	GTD EFF		ELECT. TYPE
	F.L. PF	87.0	3/4 LD PF	86.0	1/2 LD PF	81.0	93.0		SQ CAGE IND RUN

F.L. TORQUE	LR AMPS @ 460 V	L.R. TORQUE	B.D. TORQUE	F.L. RISE (°C)
222 LB-FT	629	415 LB-FT	187%	475 LB-FT
@ 3 FT.	POWER	ROTOR WK ²	MAX. LOAD WK ²	SAFE STALL TIME
75 DBA	84 DBA	0.00 LB-FT ²	0 LB-FT ²	20 SEC.
				START/SHOUR
				MOTOR WGT
				0 LB.

*** SUPPLEMENTAL INFORMATION ***

DE BRACKET TYPE	ODE BRACKET TYPE	MOUNT TYPE	MOTOR ORIENTATION	SEVERE DUTY	HAZARDOUS LOCATION	DRIP COVER	SCREENS	PAINT
STANDARD	STANDARD	RIGID	HORIZONTAL	NO	NONE	NO	NONE	RED (ENAMEL)

BEARINGS	GREASE	SHAFT TYPE	SPECIAL DE	SPECIAL ODE	SHAFT	MATERIAL	FRAME MATERIAL
DE BALL 6314	POLYREX EM	TS	NONE	NONE	1045 HOT ROLLED (C-204)		CAST IRON

THERMOSTATS	PROTECTORS	WDG RTD's	BRG RTD's	THERMISTORS	CONTROL	SPACE HEATERS
NONE	NOT	NONE	NONE	NONE	FALSE	NA

R1 (ohms/ph)	R2 (ohms/ph)	X1 (ohms/ph)	X2 (ohms/ph)	Xm (ohms/ph)	VIBRATION (in/sec)	FLOAT
0.048	0.002	0.217	0.328	8.252	0.150	ODE

* N		INVERTER TORQUE: NONE	
O		INV. HP SPEED RANGE: NONE	
T		ENCODER: NONE	
E		NONE	
S		BRAKE: NONE	
		NONE	
		FT-LB: NA	
		VOLTAGE: NONE	
		NONE	
		HZ:	

PREPARED BY: FAREEDA DUDEKULA
 DATE: 8/21/2018
 FORM: 3531 REV 4 2/27/06
 UL: NONE

Data Sheet

Date: 8/21/2018

Customer: _____
Attention: _____

Submitted by: FAREEDA DUDEKULA



365TSTD0C4347

Submital

Data @ 380 V

Load	Motor Load Data									
	0%	25%	50%	75%	100%	115%	125%	LR		
Current (Amps)	26.0	35.7	54.5	77.5	103	119	131	629		
Torque (ft-lb)	0.00	55.0	110	166	222	256	278	415		
RPM	1800	1795	1790	1785	1780	1,775	1772	0		
Efficiency (%)		92.4	93.0	94.1	94.1	93.6	93.0			
P.F. (%)	4.5	64.0	81.0	86.0	87.0	87.0	87.0	38.0		

	Motor Speed Data					Information Block																			
	LR	Pull-Up	BD	Rated	Idle	HP	Frame	Enclosure	Construction	Voltage	Frequency	Design	LR Code letter	Service Factor	Temp Rise @ FL	Duty	Ambient	Elevation	Motor/Shaft wk ²	Ret Wdg	Sound Pressure @ 1M	VFD Rating	Outline Dwg	Com. Diag	Additional Specifications:
Speed (RPM)	0	900	1700	1780	1800	75.0	1800	365182TFC6080	TDC	190/380	60	B	F	1.15	50	CONT	40	1,000	0.00	NONE	75	NONE	SS620748	EE7308AA	
Current (Amps)	629	545	333	103	26.0																				
Torque (ft-lb)	415	350	475	222	0.00																				

