



Roller Transfer Plates

Conveyor Design Manual



Rexnord FlatTop North America
1272 Dakota Drive
Grafton, Wisconsin 53024
Phone: 1.262.376.4600 Fax: 1.262.376.4720
Visit us on-line at www.rexnord.com

TABLE OF CONTENTS

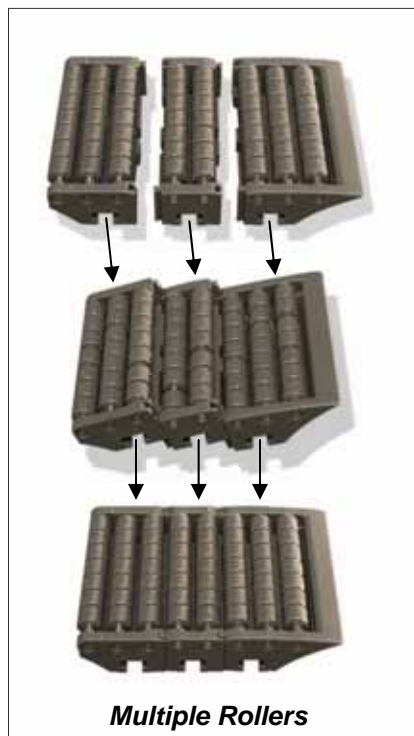
Introduction / Safety Considerations	4
Features and Benefits	6
Components	7
Assembly / Mounting Options	11
⇒ Width Modularity	
⇒ Length Modularity	
Location	16
⇒ Positioning Related to Sprocket	
Photos	17

INTRODUCTION

Marbett® Roller Transfer Plates are an innovative way to smoothly convey products from one conveyor to the next. Rexnord Industries is proud to announce our line of modular roller transfer plates. We offer a variety of styles and combinations to create the best head-to-tail and 90° product transfers. Converting from dead plates to modular roller transfer plate components turn sliding friction into rolling friction and minimize stranded products on transfers between production runs.

Marbett® Roller Transfer Plate Modules are available in 4 styles and 2 widths, 3.3 in & 4.5 in. Each style has a choice of multiple small HP™ rollers, or single polypropylene rollers on stainless steel shafts. Modules with a nose can be used to transfer small or light products, where as the styles without the nose are ideal for big and heavy products. All modules assemble easily using standard 1/4 -20 bolts tightened from the top of the conveyor. The Marbett® Roller Transfer Modules are designed to be assembled and mounted next to each other to provide easy head to tail and 90° transfers with almost any TableTop® or MatTop® chain.

Thank you for choosing Rexnord.



Contact Rexnord Application Engineering if you need assistance at 262.376.4800

SAFETY CONSIDERATIONS

PRODUCT SAFETY: Products designed and manufactured by Rexnord are capable of being used in a safe manner; but Rexnord cannot warrant their safety under all circumstances. **PURCHASER MUST INSTALL AND USE THE PRODUCTS IN SAFE AND LAWFUL MANNER IN COMPLIANCE WITH APPLICABLE HEALTH AND SAFETY REGULATIONS AND LAWS AND GENERAL STANDARDS OF REASONABLE CARE; AND IF PURCHASER FAILS TO DO SO, PURCHASER SHALL INDEMNIFY REXNORD FROM ANY LOSS, COST OR EXPENSE RESULTING DIRECTLY OR INDIRECTLY FROM SUCH FAILURE.**

SAFETY DEVICES: Products are provided with only safety devices identified herein. **IT IS THE RESPONSIBILITY OF PURCHASER TO FURNISH APPROPRIATE GUARDS FOR MACHINERY PARTS** in compliance with MSHA or OSHA Standards, as well as any other safety devices desired by Purchaser and/or required by law; and **IF PURCHASER FAILS TO DO SO, PURCHASER SHALL INDEMNIFY REXNORD FROM ANY LOSS, COST OR EXPENSE RESULTING DIRECTLY OR INDIRECTLY FROM SUCH FAILURE.**

FEATURES AND BENEFITS



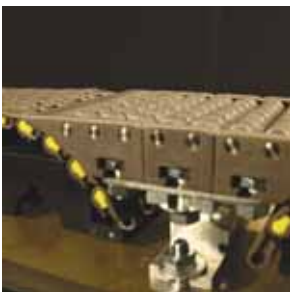
- ⇒ Creates a smooth product transfer between conveyors
- ⇒ Easy head-to-tail and 90° product transfers
- ⇒ Provides rolling friction



- ⇒ HP™ material reduces friction and noise
- ⇒ Stainless steel shafts for durability
- ⇒ Easy mounting, standard 1/4-20 bolts can be inserted into the modules
 - Modules hold bolt heads so nuts can be easily tightened



- ⇒ Full modularity in both longitudinal and transversal directions
- ⇒ Modules are designed to snap together, so it is possible to use less screws in light applications
- ⇒ Modules can be mixed or matched for different lengths and widths



- ⇒ Easy to adjust
- ⇒ Easy to retrofit
- ⇒ Easy to clean
- ⇒ Heavy duty design



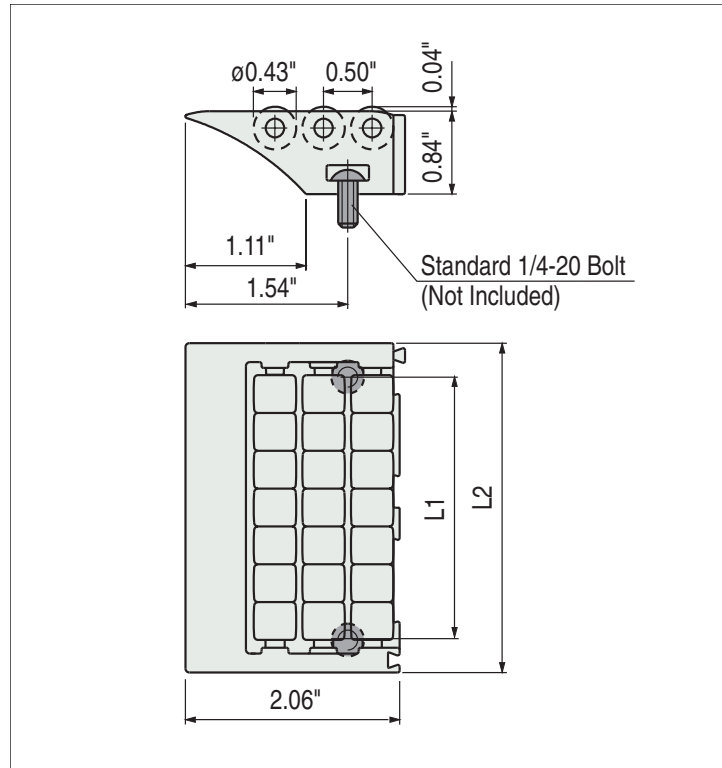
COMPONENTS

Side Module with Nose

Part 567



Transfer Roller shown in multiple rollers



Description	Roller Type	L1 (in)	L2 (in)	Part & Code
Side Module with Nose	Multiple Rollers	2.66	3.35	567-688792
		3.82	4.53	567-687382
	Single Roller	2.66	3.35	567-688822
		3.82	4.53	567-699002

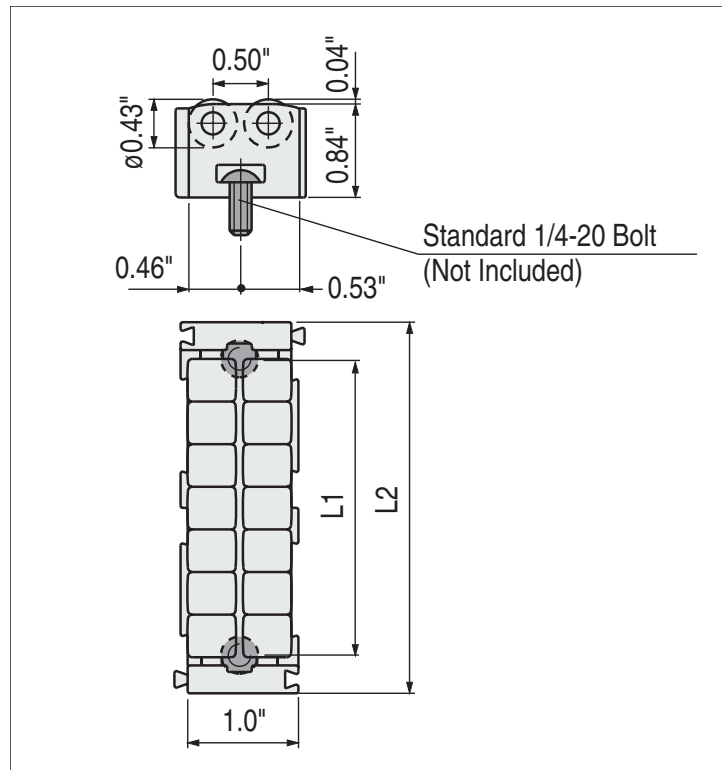
COMPONENTS

Center Module

Part 568



Transfer Roller shown in multiple rollers



Description	Roller Type	L1 (in)	L2 (in)	Part & Code
Center Module	Multiple Rollers	2.66	3.35	568-605912
		3.82	4.53	568-687402
	Single Roller	2.66	3.35	568-603402
		3.82	4.53	568-699022

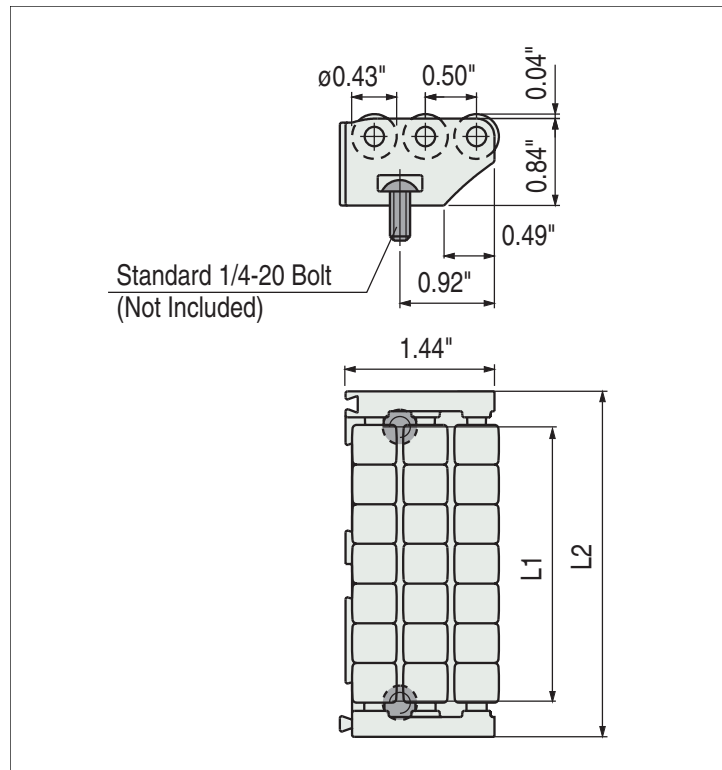
COMPONENTS

Side Module without Nose

Part 569



Transfer Roller shown in multiple rollers



Description	Roller Type	L1 (in)	L2 (in)	Part & Code
Side Module without Nose	Multiple Rollers	2.66	3.35	569-605922
		3.82	4.53	569-687392
	Single Roller	2.66	3.35	569-603412
		3.82	4.53	569-699012

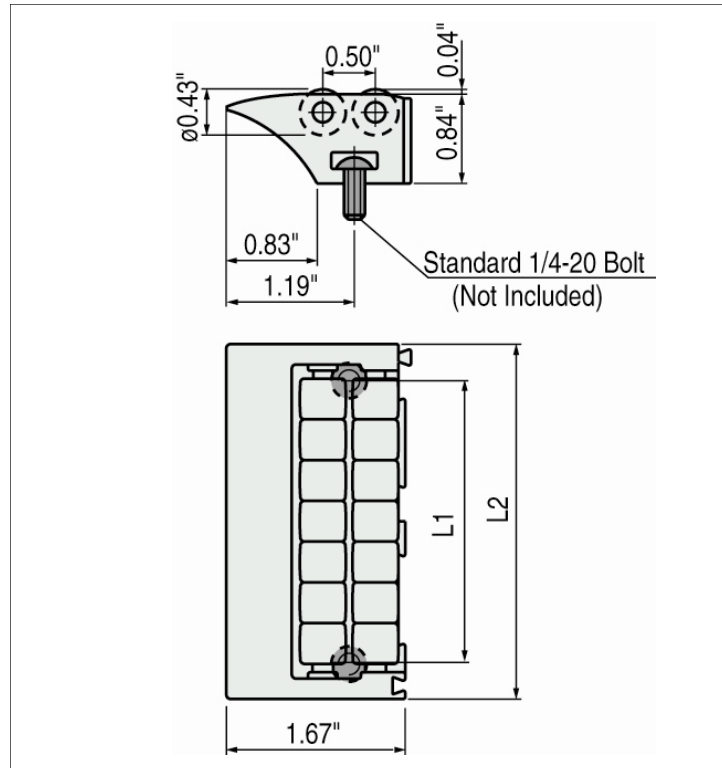
COMPONENTS

Side Module with Nose

Part 672



Transfer Roller shown in multiple rollers

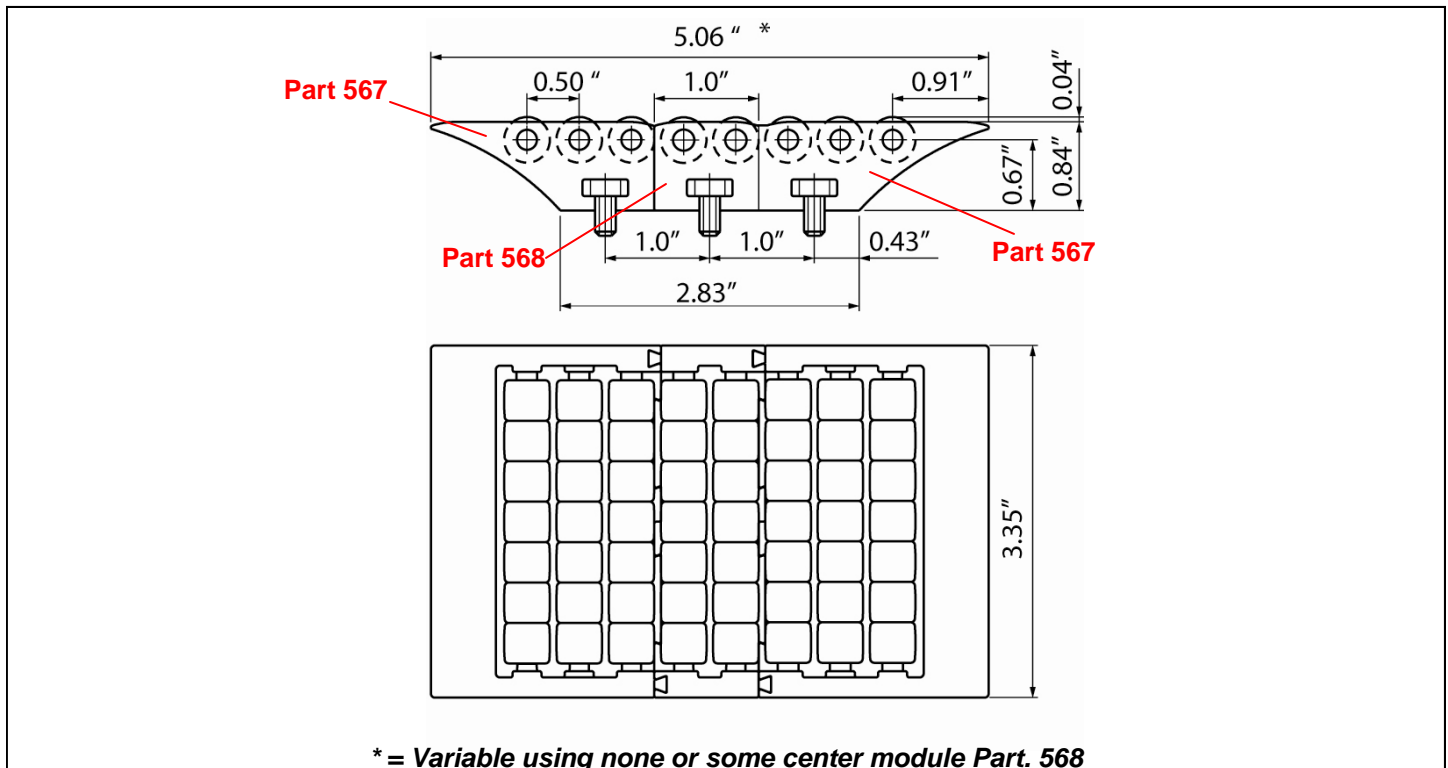


Description	Roller Type	L1 (in)	L2 (in)	Part & Code
Side Module with Nose	Multiple Rollers	2.66	3.35	672-687412
		3.82	4.53	672-687432
	Single Roller	2.66	3.35	672-699032
		3.82	4.53	672-699042

ASSEMBLY / MOUNTING OPTIONS

Side and center modules can be combined in a variety of configurations to match unique transfer requirements.

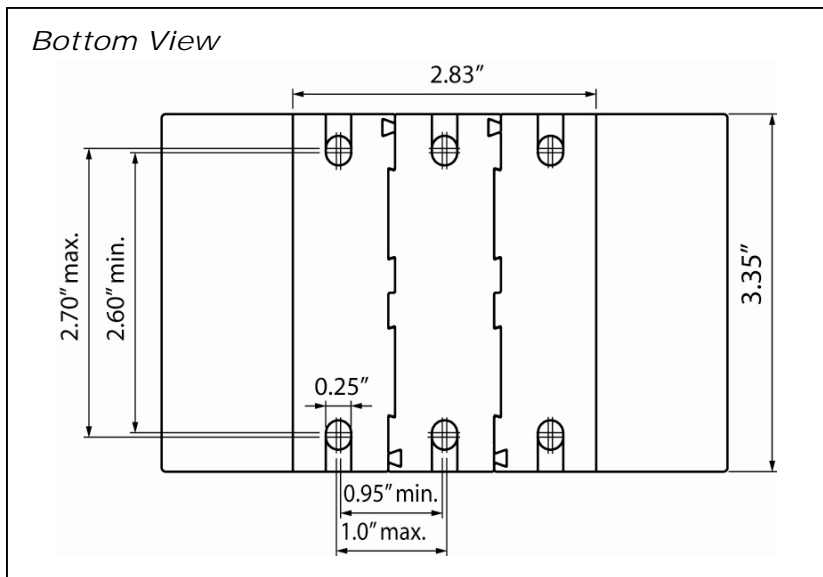
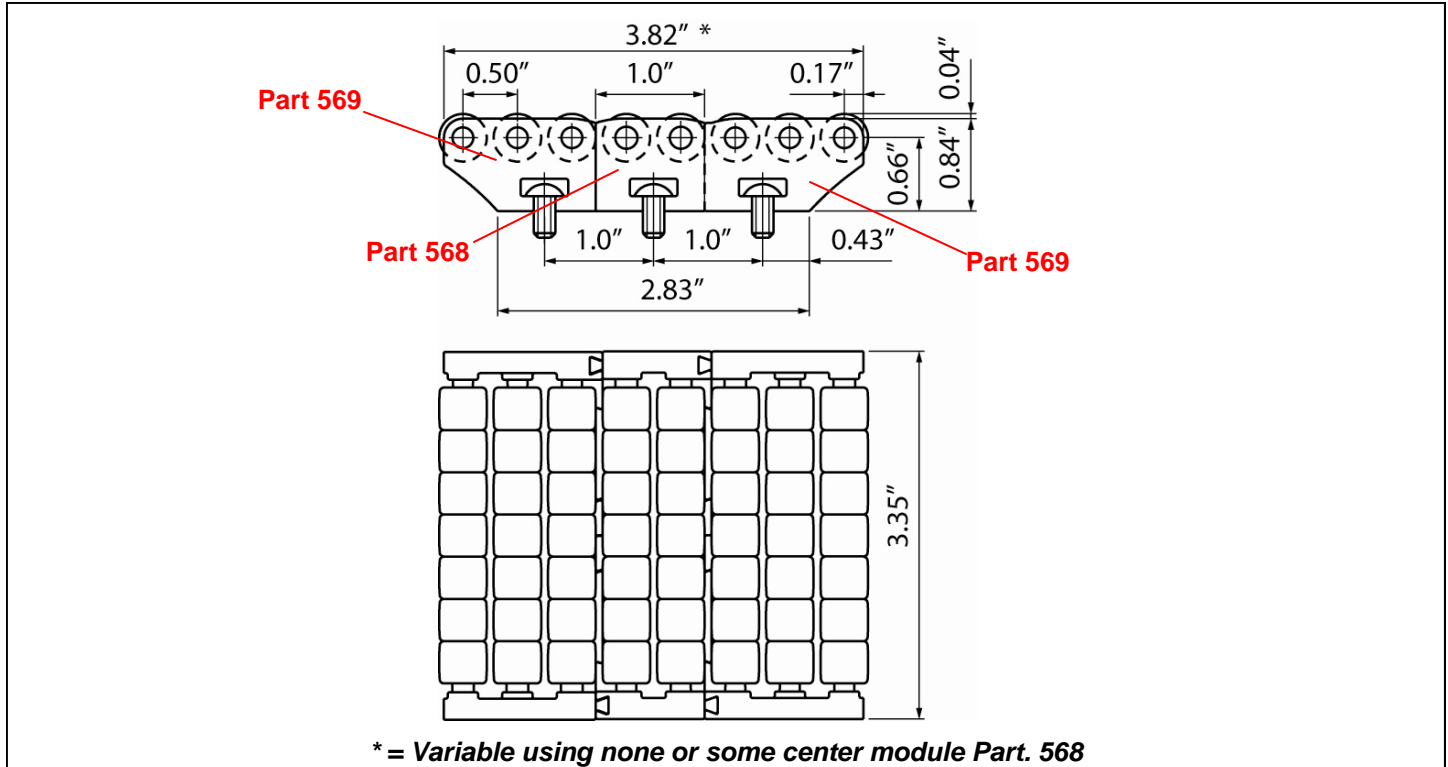
Using a combination of side modules with nose and center module



- Mounting with ¼-20 bolts
- Mounting socket head cap screws

ASSEMBLY / MOUNTING OPTIONS

Using a combination of side modules without nose and center module

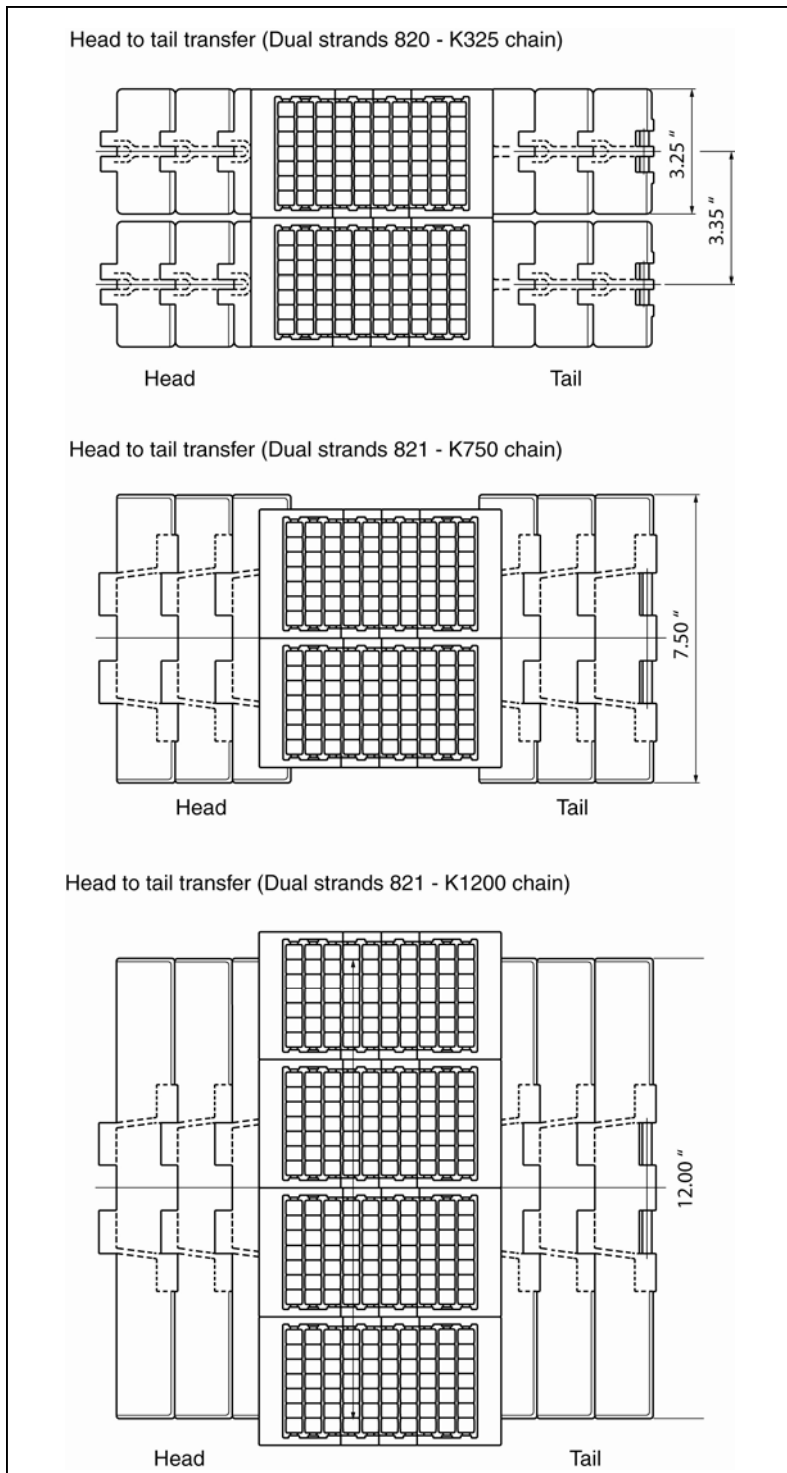


- Mounting with 1/4-20 bolts
- Mounting socket head cap screws

ASSEMBLY / MOUNTING OPTIONS

Width Modularity

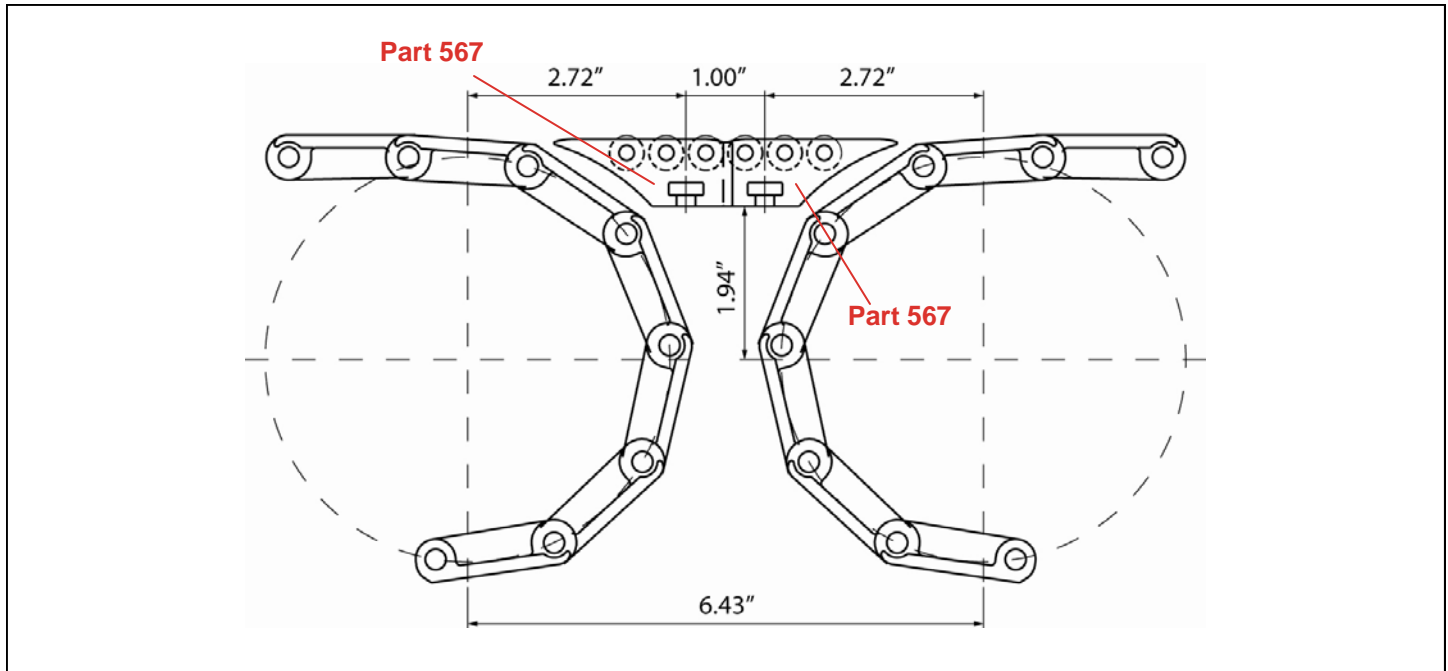
- Multiple components assembled side-by-side



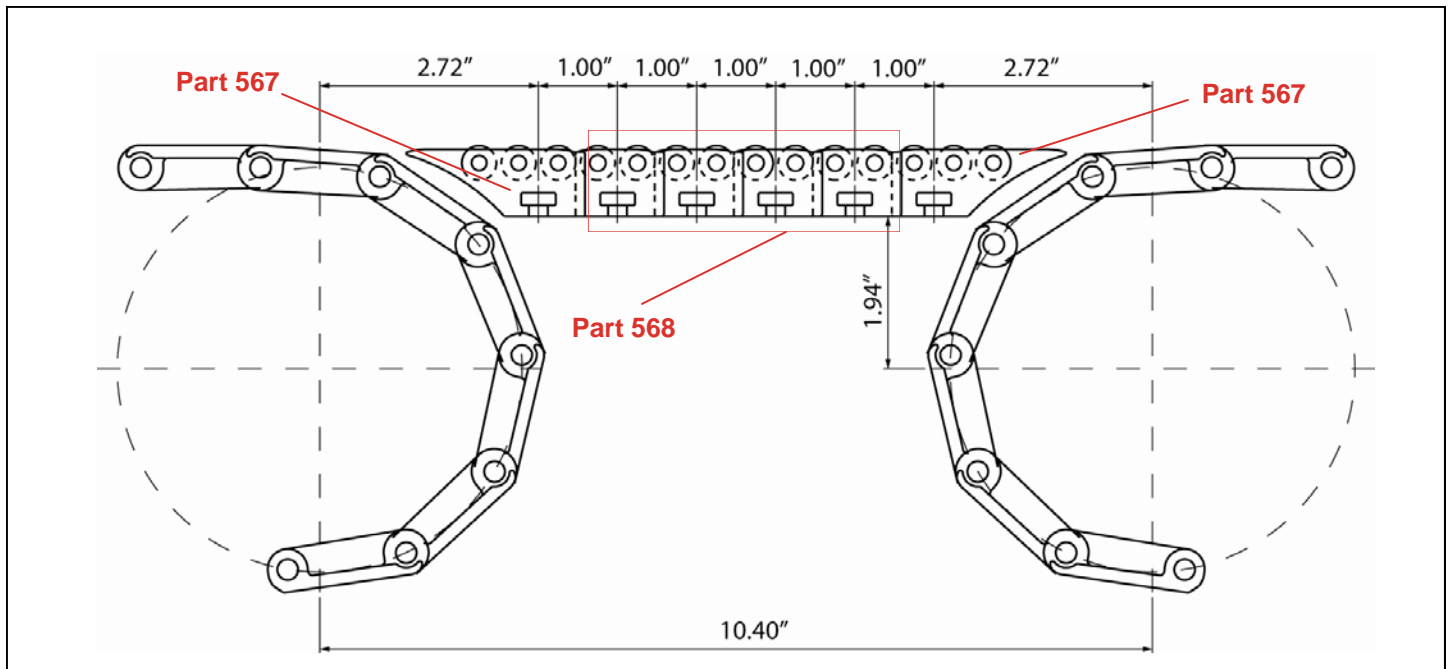
ASSEMBLY / MOUNTING OPTIONS

Length Modularity

- Head to tail transfer using 2 side modules with nose (820 chain and NS820 -21T sprocket)



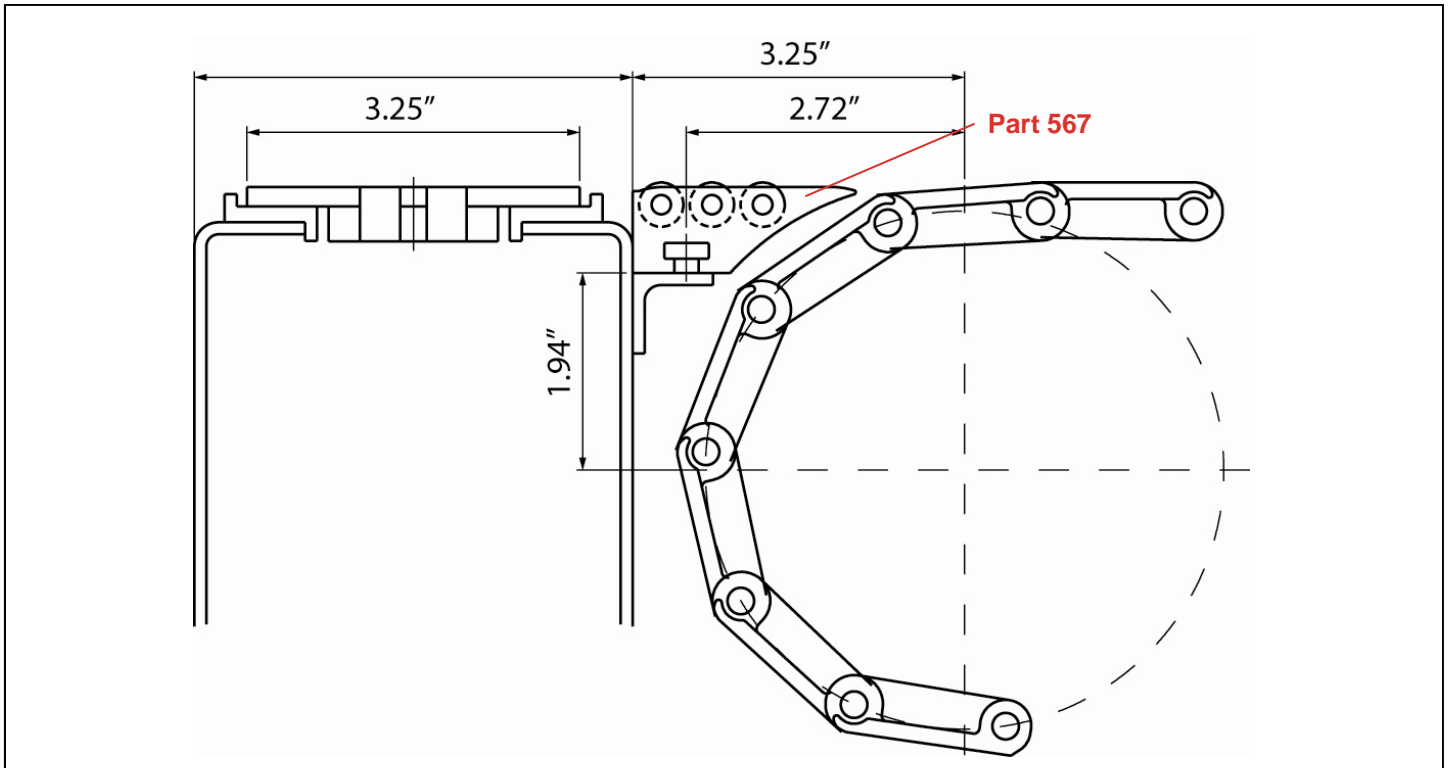
- Head to tail transfer using 2 side modules with nose and 4 center modules (820 chain and NS820 -21T sprocket)



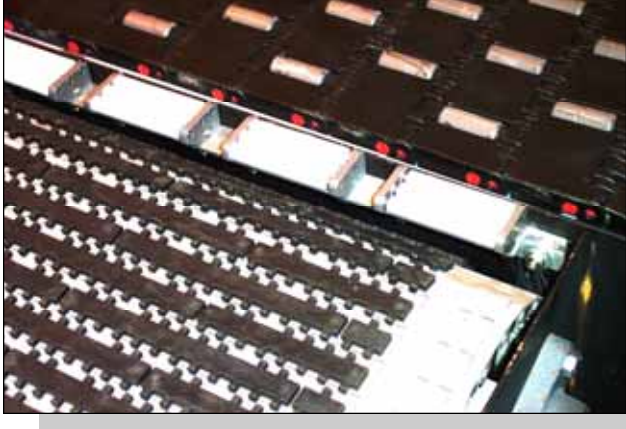
ASSEMBLY / MOUNTING OPTIONS

Length Modularity

- 90° Transfer



PHOTOS



Single roller modules used to transfer product from Rex® 3004 MatTop® chain to Rex® 7705 RubberTop™ MatTop® chain .



Multiple roller modules used to transfer product from Rex® 7703 MatTop® chain to Rex® 7705 MatTop® chain.

World Class Customer Service

For over 100 years the dedicated people of Rexnord have delivered excellence in quality and service to our customers around the globe. Rexnord is a trusted name when it comes to providing skillfully engineered products that improve productivity and efficiency for industrial applications worldwide. We are committed to exceeding customer expectations in every area of our business: product design, application engineering, operations and customer service.

Because of our customer focus, we are able to more thoroughly understand the needs of your business and have the resources available to work closely with you to reduce maintenance costs, eliminate redundant inventories and prevent equipment down time.

Rexnord represents the most comprehensive portfolio of power transmission and conveying components in the world with the brands you know and trust.



FLATTOP

BEARINGS

GEARED PRODUCTS

INDUSTRIAL CHAIN

COUPLINGS

AEROSPACE

SPECIAL COMPONENTS

The Power of Rexnord™

WORLDWIDE CUSTOMER SERVICE

AUSTRALIA

Rexnord Australia Pty. Ltd.
Picton, New South Wales
Phone: 61.2.4677.3811
Fax: 61.2.4677.3812

BRAZIL

Rexnord Correntes Ltda.
Sao Leopoldo - RS
Phone: 55.51.579.8022
Fax: 55.51.579.8029

CANADA

Rexnord Canada Ltd.
Scarborough, Ontario
Phone: 1.416.297.6868
Fax: 1.416.297.6873

CHINA

Rexnord China
Shanghai, China
Phone: 86.21.62701942
Fax: 86.21.62701943

EUROPE

Rexnord NV/SA
Mechelen, Belgium
Phone: 32.70.22.33.66
Fax: 32.70.22.33.67

Rexnord Marbett, S.r.L.
Correggio (RE), Italy
Phone: 39.0522.639333
Fax: 39.0522.637778

Rexnord FlatTop Europe b.v.
s-Gravenzande, Netherlands
Phone: 31.174.445111
Fax: 31.174.445222

LATIN AMERICA

Rexnord International, Inc.
Milwaukee, Wisconsin
Phone: 1.414.643.3000
Fax: 1.414.643.3222

MEXICO

Rexnord S.A. de C.V.
Queretaro, Qro.
Phone: 52.442.218.5000
Fax: 52.442.218.1090

SINGAPORE

Rexnord International, Inc.
Singapore City, Singapore
Phone: 65.6338.5622
Fax: 65.6338.5422

UNITED STATES

Eastern Service Center
Atlanta, Georgia
Phone: 1.770.431.7200
Fax: 1.770.431.7299

Central Service Center
Grove City, Ohio
Phone: 1.614.675.1800
Fax: 1.614.675.1898

Southern Service Center
Arlington, Texas
Phone: 1.817.385.2800
Fax: 1.817.385.2873



Rexnord FlatTop North America
1272 Dakota Drive
Grafton, Wisconsin 53024
Phone: 1.262.376.4600 Fax: 1.262.376.4710
Visit us on-line at www.rexnord.com