

## Countertop Receptacles

### 20A 125v Tamper-Resistant Pop-Up Counter Receptacle

# HUBBELL

#### Features

- Spill water tested
- Permanent installation ready (suitable for MC cable or non-metallic sheath cable)
- Push down to pop-up function is rated for a minimum of 10,000 cycles
- Easy installation - simply drop in and tighten

#### Ordering Information

| Description   | Finish  | UPC Number   | Flush Mount |
|---|---------|--------------|-------------|
| 20A 125V Tamper-Resistant Pop-Up Kitchen Counter Receptacle | Brushed | 883778309564 | RCT221BR    |

#### Color/Material

Bronze

#### Listings

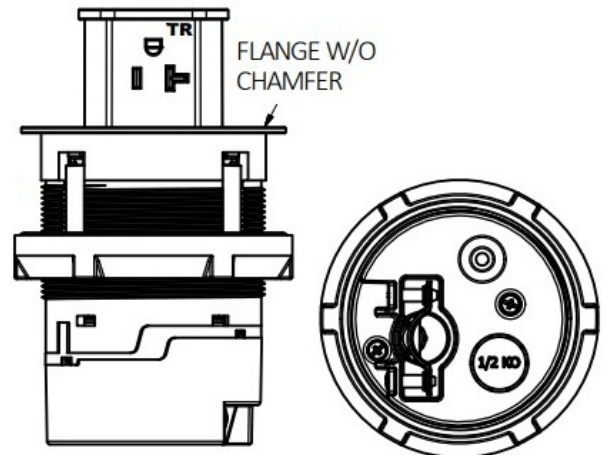
UL and cULus listed to UL498, Section 146

#### Specifications

|                  |                              |
|------------------|------------------------------|
| Cover and Flange | Die Cast Aluminum            |
| Main Body        | Engineered Thermoplastic PBT |
| Wiring Chamber   | Die Cast Aluminum            |
| Water Seals      | Elastomers and Silicon       |

#### Performance

|                         |  |
|-------------------------|--|
| <b>Electrical</b>       |  |
| Configuration           | 20 amp 125 volt, Tamper Resistant Receptacle           |
| Circuit Rating          | 20 amp non-feed through                                |
| Dielectric Voltage      | Withstands 2,000V minimum                              |
| <b>Mechanical</b>       |  |
| Terminal Accommodation  | #12 AWG copper stranded or solid conductor only        |
| Terminal Identification | Terminals identified in accordance with UL 498 and CSA |
| <b>Environmental</b>    |  |
| Flammability            | UL 94V-2   |
| Operating Temperature   | Maximum continuous 75°C, minimum -40°C (w/o impact)    |



#### Online Resources

Customer Use Drawing  
eCatalog  
Installation Instructions

Dimensions in Inches (mm)

Hubbell Wiring Device-Kellems • Hubbell Incorporated (Delaware) • 40 Waterview Drive • Shelton, CT 06484

Phone (800) 288-6000 • Fax (800) 255-1031 • Specifications subject to change without notice.

