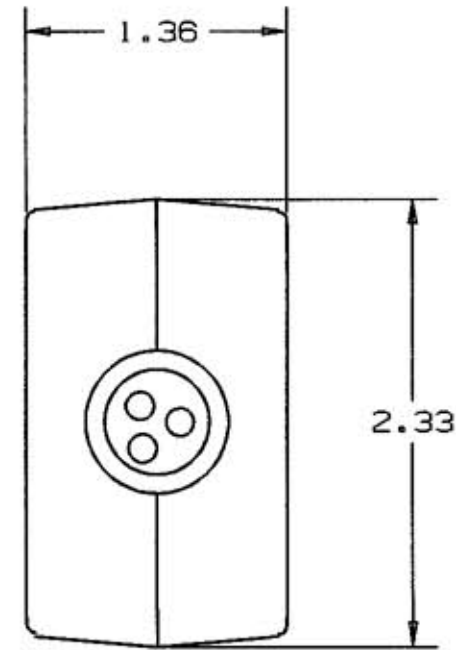
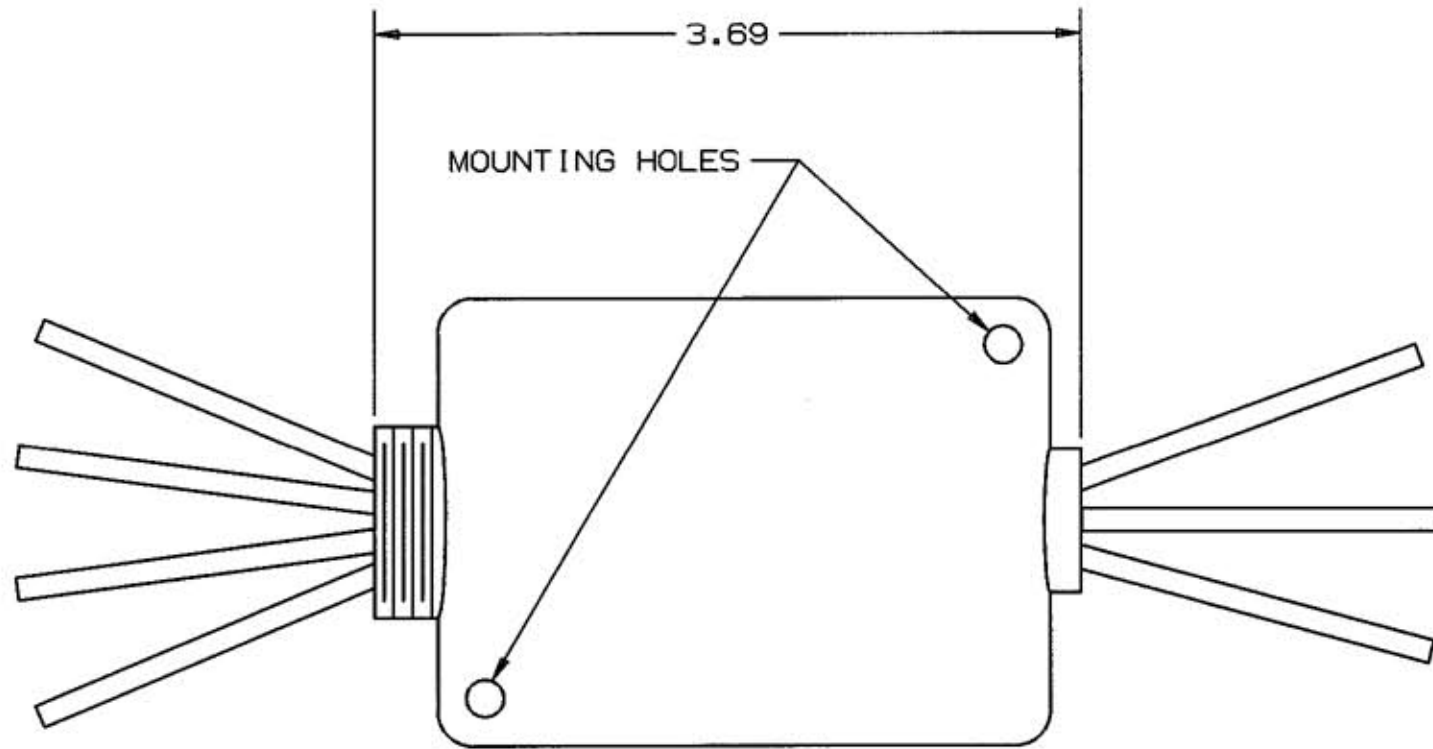


M-7783 1



CATALOG NOS. - CUI20
 CU230
 CU277
 CU347
 AAR

WEIGHT - 15 OZ.
 COLOR - BLACK

CODE 74545

LIST OF PARTS

DESCRIPTION	MATERIAL	FINISH

DIMENSION SHEET FOR CAT. NO.

SEE F/D

REPAIRABLE

NON-REPAIRABLE

B

M-7783

1

1	RELEASED PER DCN 5190 RCM	SC	7/8/97
SYM	REVISIONS	APP	DATE

THE DESIGN AND DIMENSIONS OF THE PRODUCT SHOWN ON THIS DRAWING ARE SUBJECT TO CHANGE WITHOUT NOTICE

TITLE
 CONTROL UNIT & AAR

TOLERANCES UNLESS OTHERWISE SPECIFIED FRACTIONS ± 1/64 DECIMALS ± .005 ANGLES ± 2°	WIRING DEVICE-KELLEMS HUBBELL INCORPORATED BRIDGEPORT, CT	
	DR. BY RCM	APP. BY SC
	TR. BY	SCALE 1:1
	CHK'D BY SC	DATE 7/8/97