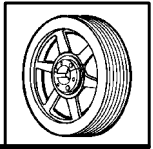
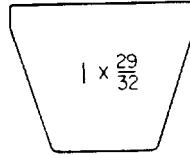


SELECTION/DIMENSIONS



8V QD SHEAVES



4-Groove				F = 4.88		
O.D.▲	Part No.	Description	Wt.	Type†	M	K
12.5	455416	4/8V12.5-F	83.0	D1	1.19	0.23
13.2	455417	4/8V13.2-F	88.0	D2	1.19	0.23
14.0	455418	4/8V14.0-F	88.0	D2	1.19	0.23
15.0	455419	4/8V15.0-F	111.0	D2	1.19	0.23
16.0	455420	4/8V16.0-F	105.0	D2	1.19	0.23
17.0	455521	4/8V17.0-F	150.0	D3	1.19	0.23
18.0	455422	4/8V18.0-F	150.0	D3	1.19	0.23
19.0	455423	4/8V19.0-F	146.0	D3	1.19	0.23
20.0	455424	4/8V20.0-J	145.0	D3	1.44	0.16
21.2	455425	4/8V21.2-J	181.0	D3	1.44	0.16
22.4	455426	4/8V22.4-J	199.0	D3	1.44	0.16
24.8	456654	4/8V24.8-M	211.0	C3	1.44	0.93
30.0	455427	4/8V30.0-M	292.0	C3	0.81	0.93
35.5	456655	4/8V35.5-M	367.0	C3	0.81	0.93
40.0	455428	4/8V40.0-M	434.0	C3	0.81	0.93
44.5	456656	4/8V44.5-M	371.0	C3	0.81	0.93
53.0	455429	4/8V53.0-M	818.0	C3	0.81	0.93

5-Groove				F = 6.00		
O.D.▲	Part No.	Description	Wt.	Type†	M	K
12.5	455430	5/8V12.5-F	69.0	A2	2.31	0.89
13.2	455431	5/8V13.2-F	75.0	A2	2.31	0.89
14.0	455432	5/8V14.0-F	83.0	A2	2.31	0.89
15.0	455433	5/8V15.0-F	94.0	A2	2.31	0.89
16.0	455434	5/8V16.0-F	106.0	A2	2.31	0.89
17.0	455435	5/8V17.0-J	133.0	A2	2.00	0.40
18.0	455436	5/8V18.0-J	147.0	A3	2.00	0.40
19.0	455437	5/8V19.0-J	161.0	A3	2.00	0.40
20.0	455438	5/8V20.0-J	141.0	A3	2.00	0.40
21.2	455439	5/8V21.2-J	151.0	A3	2.00	0.40
22.4	456402	5/8V22.4-M	208.0	D3	1.94	0.20
24.8	456657	5/8V24.8-M	229.0	D3	1.94	0.20
30.0	455441	5/8V30.0-M	276.0	D3	1.94	0.20
35.5	456658	5/8V35.5-M	334.0	D3	1.94	0.20
40.0	455442	5/8V40.0-M	385.0	D3	1.94	0.20
44.5	456659	5/8V44.5-N	459.0	C3	0.94	1.11
53.0	455443	5/8V53.0-N	574.0	C3	0.94	1.11

6-Groove				F = 7.13		
O.D.▲	Part No.	Description	Wt.	Type†	M	K
12.5	455444	6/8V12.5-F	78.0	A1	2.31	0.89
13.2	455445	6/8V13.2-F	85.0	A2	2.31	0.89
14.0	455446	6/8V14.0-F	94.0	A2	2.31	0.89
15.0	455447	6/8V15.0-J	122.0	A2	2.56	0.96
16.0	455448	6/8V16.0-J	134.0	A2	2.56	0.96
17.0	455449	6/8V17.0-J	147.0	A2	2.56	0.96
18.0	455450	6/8V18.0-J	161.0	A2	2.56	0.96
19.0	455451	6/8V19.0-J	177.0	A3	2.56	0.96
20.0	455452	6/8V20.0-M	232.0	B3	2.94	1.20
21.2	455453	6/8V21.2-M	216.0	B3	2.94	1.20
22.4	455454	6/8V22.4-M	227.0	B3	2.94	1.20
24.8	456660	6/8V24.8-M	251.0	B3	1.94	0.20
30.0	455455	6/8V30.0-M	306.0	B3	2.06	0.32
35.5	456661	6/8V35.5-N	391.0	C3	1.13	0.92
40.0	455456	6/8V40.0-N	450.0	C3	1.13	0.92
44.5	456662	6/8V44.5-N	511.0	C3	1.13	0.92
53.0	455457	6/8V53.0-N	646.0	C3	1.13	0.92
63.0	456663	6/8V63.0-P	856.0	C3	2.00	0.30
71.0	456690	6/8V71.0-P	1016.0	C3	2.00	0.30

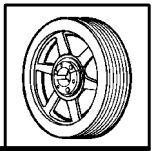
8-Groove				F = 9.38		
O.D.▲	Part No.	Description	Wt.	Type†	M	K
12.5	455458	8/8V12.5-J	115.0	A1	3.56	1.96
13.2	455459	8/8V13.2-J	129.0	A2	3.56	1.96
14.0	455460	8/8V14.0-J	146.0	A2	3.56	1.96
15.0	455461	8/8V15.0-J	144.0	A2	3.56	1.96
16.0	455462	8/8V16.0-J	158.0	A2	3.56	1.96
17.0	455463	8/8V17.0-M	214.0	A1	3.94	2.20
18.0	455464	8/8V18.0-M	230.0	A2	4.19	2.45
19.0	455465	8/8V19.0-M	247.0	A2	3.94	2.20
20.0	455466	8/8V20.0-M	266.0	A2	3.94	2.20
21.2	455467	8/8V21.2-M	245.0	A3	3.94	2.20
22.4	455468	8/8V22.4-M	264.0	A3	2.25	0.51
24.8	456664	8/8V24.8-N	315.0	A3	2.25	0.20
30.0	455469	8/8V30.0-N	384.0	A3	2.25	0.20
35.5	456665	8/8V35.5-N	468.0	A3	2.25	0.20
40.0	455470	8/8V40.0-N	543.0	B3	2.63	0.58
44.5	456666	8/8V44.5-P	670.0	B3	2.63	0.33
53.0	455471	8/8V53.0-P	833.0	B3	2.63	0.33
63.0	456667	8/8V63.0-P	1049.0	B3	2.63	0.33
71.0	456691	8/8V71.0-W	1266.0	C3	0.19	2.37

▲ Pitch Diameter = O.D. - .20"

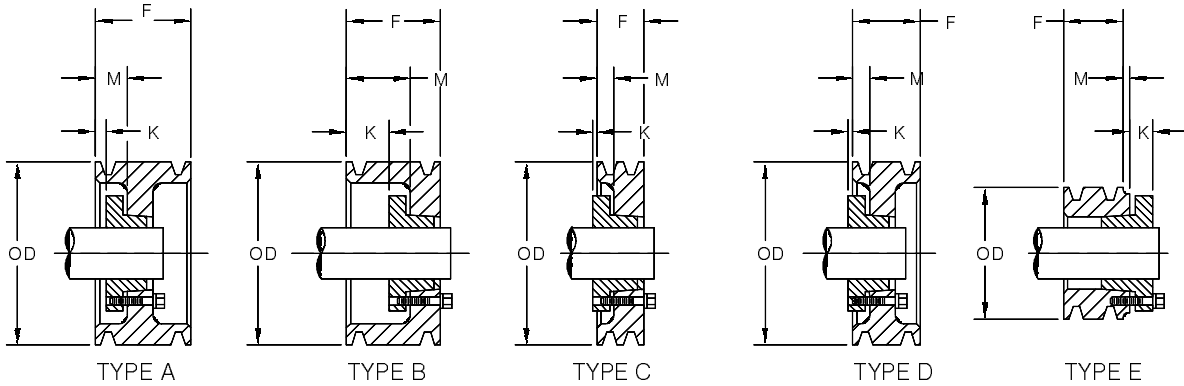
† Type 1 = Block Type, 2 = Web, 3 = Arm - See page PT7-2.

BELTS PAGES PT7-28-PT7-41	SELECTION: WEDGE PAGES PT7-42-PT7-83	SELECTION: CLASSICAL PAGES PT7-84-PT7-123	ENGINEERING/TECHNICAL PAGES PT7-123-PT7-128
------------------------------	---	--	--

SELECTION/DIMENSIONS



8V QD SHEAVES



10-Groove				F = 11.63		
O.D.▲	Part No.	Description	Wt.	Type†	M	K
12.5	455472	10/8V12.5-J	133	A1	3.56	1.96
13.2	455473	10/8V13.2-J	148	A1	3.56	1.96
14.0	455474	10/8V14.0-J	166	A2	3.56	1.96
15.0	455475	10/8V15.0-M	224	A2	3.94	2.20
16.0	455476	10/8V16.0-M	260	A2	3.94	2.20
17.0	455477	10/8V17.0-M	241	A1	3.94	2.20
18.0	455478	10/8V18.0-M	259	A2	3.94	2.20
19.0	455479	10/8V19.0-M	279	A2	3.94	2.20
20.0	455480	10/8V20.0-M	300	A2	3.94	2.20
21.2	455481	10/8V21.2-M	286	A3	3.94	2.20
22.4	455482	10/8V22.4-N	321	A3	2.25	0.20
24.8	456668	10/8V24.8-N	357	A3	2.25	0.20
30.0	455483	10/8V30.0-N	444	A3	2.25	0.20
35.5	456669	10/8V35.5-P	591	A3	2.63	0.33
40.0	455484	10/8V40.0-P	680	A3	2.63	0.33
44.5	456670	10/8V44.5-P	775	A3	2.63	0.33
53.0	455485	10/8V53.0-P	971	A3	2.63	0.33
63.0	456671	10/8V63.0-W	1256	D3	1.31	1.25
71.0	456692	10/8V71.0-W	1482	D3	1.31	1.25

12-Groove				F = 13.88		
O.D.▲	Part No.	Description	Wt.	Type†	M	K
12.5	456672	12/8V12.5-M	164	A1	3.94	2.20
13.2	456673	12/8V13.2-M	186	A1	3.94	2.20
14.0	456674	12/8V14.0-M	213	A1	3.94	2.20
15.0	456675	12/8V15.0-M	248	A2	3.94	2.20
16.0	456676	12/8V16.0-M	285	A1	3.94	2.20
17.0	456677	12/8V17.0-M	270	A1	3.94	2.20
18.0	456678	12/8V18.0-M	292	A2	3.94	2.20
19.0	456679	12/8V19.0-N	330	A2	2.25	0.20
20.0	456680	12/8V20.0-N	354	A2	2.25	0.20
21.2	456681	12/8V21.2-N	365	A3	2.25	0.20
22.4	456682	12/8V22.4-N	367	A3	2.25	0.20
24.8	456683	12/8V24.8-N	408	A3	2.25	0.20
30.0	456684	12/8V30.0-P	557	A3	2.63	0.32
35.5	456685	12/8V35.5-P	671	A3	2.63	0.32
40.0	456686	12/8V40.0-P	776	A3	2.63	0.32
44.5	456687	12/8V44.5-P	887	A3	2.63	0.32
53.0	456688	12/8V53.0-W	1150	A3	2.88	0.32
63.0	456689	12/8V63.0-W	1445	D3	2.44	0.12
71.0	456693	12/8V71.0-W	1706	D3	2.44	0.12

▲ Pitch Diameter = O.D. - .20"
 † Type 1 = Block Type, 2 = Web, 3 = Arm - See page PT7-2.

ARAMIDE CORD BELTS WARNING:

Because of the high horsepower rating of Aramide (Kevlar) cord belts, stock sheaves can not be used. Contact DODGE for made to order high capacity sheaves.

BELTS PAGES PT7-28-PT7-41	SELECTION: WEDGE PAGES PT7-42-PT7-83	SELECTION: CLASSICAL PAGES PT7-84-PT7-123	ENGINEERING/TECHNICAL PAGES PT7-123-PT7-128
------------------------------	---	--	--