

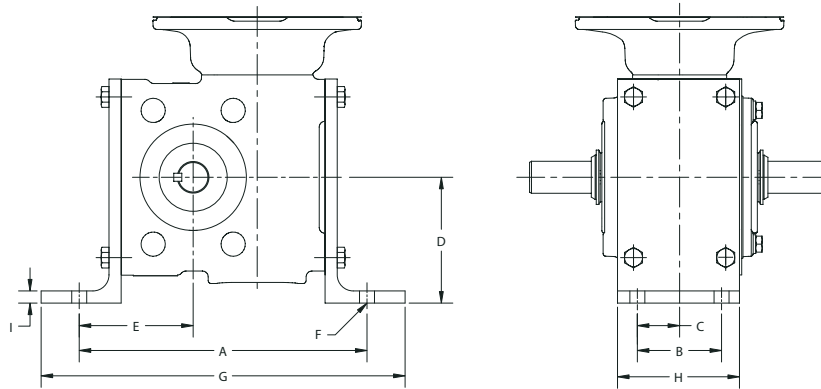


## MODIFICATIONS/ACCESSORIES

### TIGEAR-2

#### J-MOUNT BASE KITS

J-mount kits allow the reducer to be “floor” mounted with the motor in a vertical (up) position. In this configuration the output shaft(s) is horizontal. Each kit includes the brackets and required mounting hardware.



Case Size	Kit No.	A	B	C	D	E	F	G	H	I
13	13JMOUNT	6.88	2.00	1.00	2.95	2.71	0.34	7.76	2.88	0.25
15	15JMOUNT	7.98	2.50	1.25	3.50	3.12	0.41	9.48	3.38	0.31
17	17JMOUNT	8.35	2.50	1.25	3.50	3.24	0.41	9.85	3.56	0.38
20	20JMOUNT	8.97	2.63	1.32	3.94	3.55	0.47	11.35	3.75	0.38
23	23JMOUNT	9.88	2.88	1.44	4.06	3.75	0.50	10.88	4.12	0.38
26	26JMOUNT	11.48	3.13	1.57	4.75	4.43	0.53	13.36	4.25	0.50
30	30JMOUNT	11.88	4.00	2.00	5.62	4.75	0.56	13.02	5.06	0.38
35	35JMOUNT	13.50	4.00	2.00	5.50	5.45	0.56	15.57	5.50	0.38
40	40JMOUNT	14.88	5.00	2.50	6.50	6.12	0.69	16.26	6.38	0.50
47	47JMOUNT	17.51	5.81	2.91	7.75	7.19	0.69	18.89	7.19	0.50

FEATURES/BENEFITS PAGE 3	SPECIFICATION PAGE 6	NOMENCLATURE PAGE 7	SELECTION/DIMENSIONS PAGE 14
-----------------------------	-------------------------	------------------------	---------------------------------