

## SELECTION/DIMENSIONS

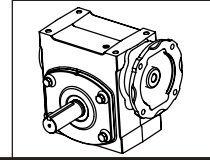
### TIGEAR-2 QUILL INPUT - SIZE 40

RATIO	OUTPUT RPM	RATING DATA 1750 INPUT RPM		PART NUMBER				SHAFT POSITION
				140TC	180TC	210TC	250TC	
5	350	Mechanical Input Hp	20.24			40Q05L21	40Q05L25	L
		Thermal Input Hp	22.20			40Q05R21	40Q05R25	R
		Output Torque (lb in.)	3449			40Q05LR21	40Q05LR25	LR
		Mechanical Output Hp	19.15			40Q05H21	40Q05H25	HOLLOW
		Output OHL (lbs.)	2860					
7.5	233	Mechanical Input Hp	16.38			40Q07L21	40Q07L25	L
		Thermal Input Hp	17.56			40Q07R21	40Q07R25	R
		Output Torque (lb in.)	4071			40Q07LR21	40Q07LR25	LR
		Mechanical Output Hp	15.27			40Q07H21	40Q07H25	HOLLOW
		Output OHL (lbs.)	3280					
10	175	Mechanical Input Hp	13.33			40Q10L21		L
		Thermal Input Hp	14.96			40Q10R21		R
		Output Torque (lb in.)	4418			40Q10LR21		LR
		Mechanical Output Hp	12.27			40Q10H21		HOLLOW
		Output OHL (lbs.)	3640					
15	117	Mechanical Input Hp	10.01		40Q15L18	40Q15L21		L
		Thermal Input Hp	10.16		40Q15R18	40Q15R21		R
		Output Torque (lb in.)	4804		40Q15LR18	40Q15LR21		LR
		Mechanical Output Hp	8.89		40Q15H18	40Q15H21		HOLLOW
		Output OHL (lbs.)	4190					
20	88	Mechanical Input Hp	7.75		40Q20L18	40Q20L21		L
		Thermal Input Hp	8.14		40Q20R18	40Q20R21		R
		Output Torque (lb in.)	4822		40Q20LR18	40Q20LR21		LR
		Mechanical Output Hp	6.69		40Q20H18	40Q20H21		HOLLOW
		Output OHL (lbs.)	4300					
25	70	Mechanical Input Hp	6.35		40Q25L18			L
		Thermal Input Hp	6.45		40Q25R18			R
		Output Torque (lb in.)	4722		40Q25LR18			LR
		Mechanical Output Hp	5.25		40Q25H18			HOLLOW
		Output OHL (lbs.)	4300					
30	58	Mechanical Input Hp	5.61		40Q30L18			L
		Thermal Input Hp	5.78		40Q30R18			R
		Output Torque (lb in.)	4898		40Q30LR18			LR
		Mechanical Output Hp	4.53		40Q30H18			HOLLOW
		Output OHL (lbs.)	4300					
40	44	Mechanical Input Hp	4.43	40Q40L14	40Q40L18			L
		Thermal Input Hp	4.50	40Q40R14	40Q40R18			R
		Output Torque (lb in.)	4800	40Q40LR14	40Q40LR18			LR
		Mechanical Output Hp	3.33	40Q40H14	40Q40H18			HOLLOW
		Output OHL (lbs.)	4300					
50	35	Mechanical Input Hp	3.63	40Q50L14	40Q50L18			L
		Thermal Input Hp	3.66	40Q50R14	40Q50R18			R
		Output Torque (lb in.)	4559	40Q50LR14	40Q50LR18			LR
		Mechanical Output Hp	2.53	40Q50H14	40Q50H18			HOLLOW
		Output OHL (lbs.)	4300					
60	29	Mechanical Input Hp	3.00	40Q60L14	40Q60L18			L
		Thermal Input Hp	3.21	40Q60R14	40Q60R18			R
		Output Torque (lb in.)	4166	40Q60LR14	40Q60LR18			LR
		Mechanical Output Hp	1.93	40Q60H14	40Q60H18			HOLLOW
		Output OHL (lbs.)	4300					

Note: Reducers are shipped without a mounting base. Order bolt-on base kit **40BASE** if required.

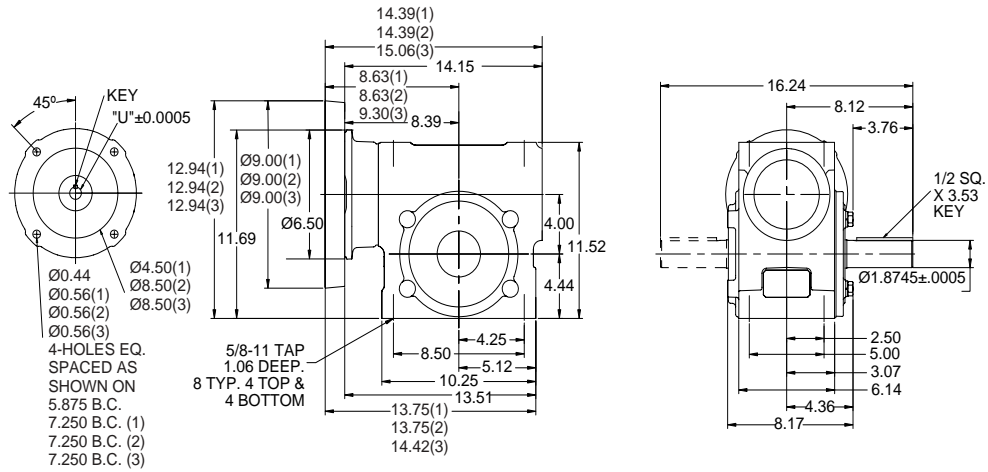
FEATURES/BENEFITS PAGE 3	SPECIFICATION PAGE 6	NOMENCLATURE PAGE 7	MODIFICATION / ACCESSORIES PAGE 78
-----------------------------	-------------------------	------------------------	---------------------------------------

# SELECTION/DIMENSIONS



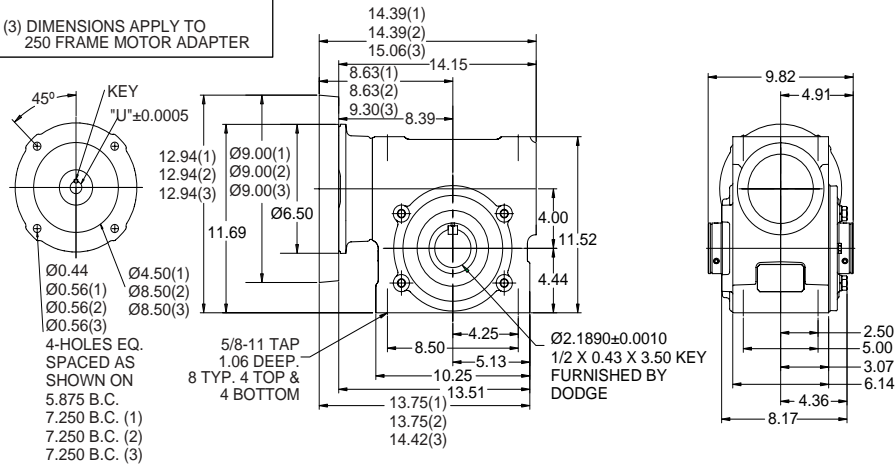
## TIGEAR-2 QUILL INPUT - SIZE 40

### SOLID OUTPUT



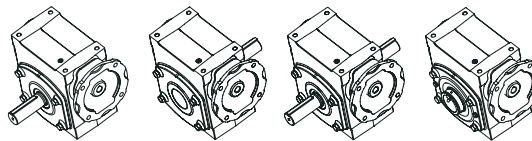
- (1) DIMENSIONS APPLY TO 180 FRAME MOTOR ADAPTER
- (2) DIMENSIONS APPLY TO 210 FRAME MOTOR ADAPTER
- (3) DIMENSIONS APPLY TO 250 FRAME MOTOR ADAPTER

### HOLLOW OUTPUT

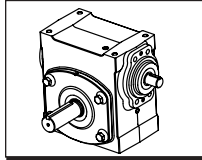


MOTOR FRAME	DIM "U"	KEY
140TC 160ATC	Ø0.876	3/16 SQ X 2.75 KEY
180TC 180ATC	Ø1.126	1/4 SQ. X 2.96 KEY
210TC 210ATC	Ø1.376	5/16 SQ X 3.11 KEY
250TC 250ATC	Ø1.626	3/8 SQ X 3.38 KEY

### OUTPUT SHAFT CONFIGURATIONS



FEATURES/BENEFITS PAGE 3	SPECIFICATION PAGE 6	NOMENCLATURE PAGE 7	MODIFICATION / ACCESSORIES PAGE 78
-----------------------------	-------------------------	------------------------	---------------------------------------



## SELECTION/DIMENSIONS

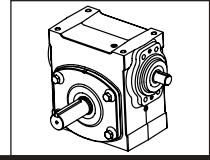
### TIGEAR-2 SEPARATE INPUT - SIZE 40

RATIO	OUTPUT RPM	RATING DATA		SEPARATE REDUCER	SHAFT POSITION	OPTIONAL MOTOR ADAPTER KIT			
		1750 INPUT RPM				140TC	180TC	210TC	250TC
5	350	Mechanical Input Hp	20.24	40S05L	L			4047MTR21	4047MTR25
		Thermal Input Hp	22.20	40S05R	R				
		Output Torque (lb in.)	3449	40S05LR	LR				
		Mechanical Output Hp	19.15	40S05H	HOLLOW				
		Output OHL (lbs.)	2860						
7.5	233	Mechanical Input Hp	16.38	40S07L	L			4047MTR21	4047MTR25
		Thermal Input Hp	17.56	40S07R	R				
		Output Torque (lb in.)	4071	40S07LR	LR				
		Mechanical Output Hp	15.27	40S07H	HOLLOW				
		Output OHL (lbs.)	3280						
10	175	Mechanical Input Hp	13.33	40S10L	L			4047MTR21	
		Thermal Input Hp	14.96	40S10R	R				
		Output Torque (lb in.)	4418	40S10LR	LR				
		Mechanical Output Hp	12.27	40S10H	HOLLOW				
		Output OHL (lbs.)	3640						
15	117	Mechanical Input Hp	10.01	40S15L	L		4047MTR18	4047MTR21	
		Thermal Input Hp	10.16	40S15R	R				
		Output Torque (lb in.)	4804	40S15LR	LR				
		Mechanical Output Hp	8.89	40S15H	HOLLOW				
		Output OHL (lbs.)	4190						
20	88	Mechanical Input Hp	7.75	40S20L	L		4047MTR18	4047MTR21	
		Thermal Input Hp	8.14	40S20R	R				
		Output Torque (lb in.)	4822	40S20LR	LR				
		Mechanical Output Hp	6.69	40S20H	HOLLOW				
		Output OHL (lbs.)	4300						
25	70	Mechanical Input Hp	6.35	40S25L	L		4047MTR18		
		Thermal Input Hp	6.45	40S25R	R				
		Output Torque (lb in.)	4722	40S25LR	LR				
		Mechanical Output Hp	5.25	40S25H	HOLLOW				
		Output OHL (lbs.)	4300						
30	58	Mechanical Input Hp	5.61	40S30L	L		4047MTR18		
		Thermal Input Hp	5.78	40S30R	R				
		Output Torque (lb in.)	4898	40S30LR	LR				
		Mechanical Output Hp	4.53	40S30H	HOLLOW				
		Output OHL (lbs.)	4300						
40	44	Mechanical Input Hp	4.43	40S40L	L	4047MTR14	4047MTR18		
		Thermal Input Hp	4.50	40S40R	R				
		Output Torque (lb in.)	4800	40S40LR	LR				
		Mechanical Output Hp	3.33	40S40H	HOLLOW				
		Output OHL (lbs.)	4300						
50	35	Mechanical Input Hp	3.63	40S50L	L	4047MTR14	4047MTR18		
		Thermal Input Hp	3.66	40S50R	R				
		Output Torque (lb in.)	4559	40S50LR	LR				
		Mechanical Output Hp	2.53	40S50H	HOLLOW				
		Output OHL (lbs.)	4300						
60	29	Mechanical Input Hp	3.00	40S60L	L	4047MTR14	4047MTR18		
		Thermal Input Hp	3.21	40S60R	R				
		Output Torque (lb in.)	4166	40S60LR	LR				
		Mechanical Output Hp	1.93	40S60H	HOLLOW				
		Output OHL (lbs.)	4300						
<b>All Ratios</b>		Input OHL (lbs)	400	One diameter from seal surface					

**Note:** Reducers are shipped without a mounting base. Order bolt-on base kit **40BASE** if required.

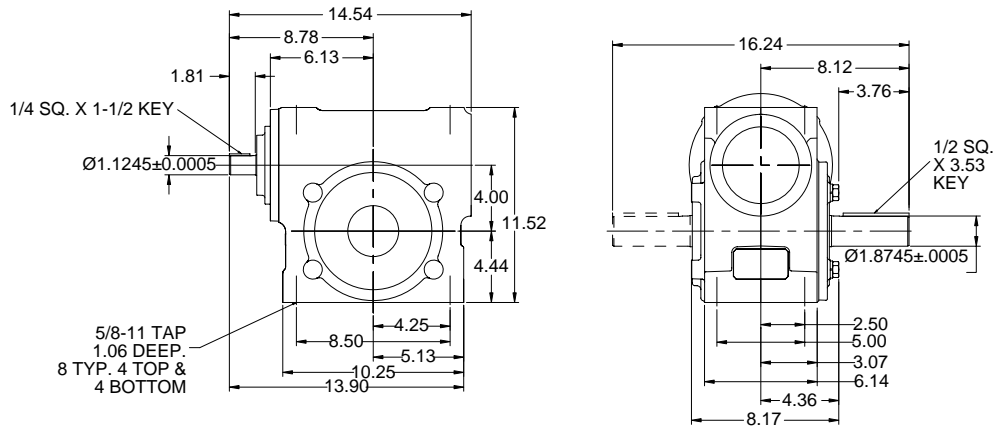
FEATURES/BENEFITS PAGE 3	SPECIFICATION PAGE 6	NOMENCLATURE PAGE 7	MODIFICATION / ACCESSORIES PAGE 78
-----------------------------	-------------------------	------------------------	---------------------------------------

# SELECTION/DIMENSIONS

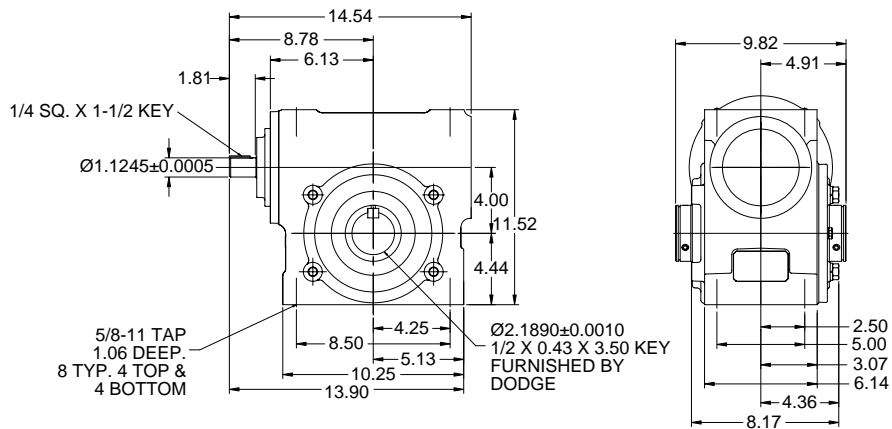


## TIGEAR-2 SEPARATE INPUT - SIZE 40

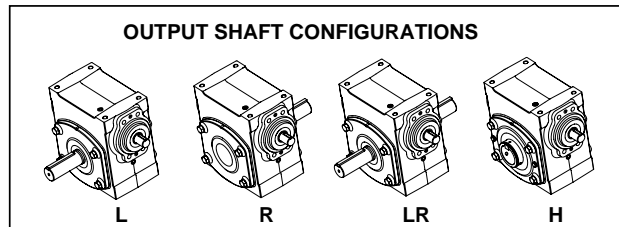
### SOLID OUTPUT



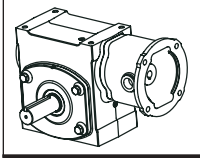
### HOLLOW OUTPUT



### OUTPUT SHAFT CONFIGURATIONS



FEATURES/BENEFITS PAGE 3	SPECIFICATION PAGE 6	NOMENCLATURE PAGE 7	MODIFICATION / ACCESSORIES PAGE 78
-----------------------------	-------------------------	------------------------	---------------------------------------



## SELECTION/DIMENSIONS

### TIGEAR-2 COUPLED INPUT - ADAPTER ASSEMBLY - SIZE 40

Coupled input units include a Separate reducer and motor adapter kit assembled together.

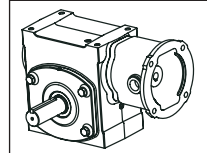
These assemblies are normally "made to order" with a 5 day standard lead time.

RATIO	OUTPUT RPM	RATING DATA 1750 INPUT RPM		PART NUMBER				SHAFT POSITION
				140TC	180TC	210TC	250TC	
5	350	Mechanical Input Hp	20.24			40A05L21	40A05L25	L
		Thermal Input Hp	22.20			40A05R21	40A05R25	R
		Output Torque (lb in.)	3449			40A05LR21	40A05LR25	LR
		Mechanical Output Hp	19.15			40A05H21	40A05H25	HOLLOW
		Output OHL (lbs.)	2860					
7.5	233	Mechanical Input Hp	16.38			40A07L21	40A07L25	L
		Thermal Input Hp	17.56			40A07R21	40A07R25	R
		Output Torque (lb in.)	4071			40A07LR21	40A07LR25	LR
		Mechanical Output Hp	15.27			40A07H21	40A07H25	HOLLOW
		Output OHL (lbs.)	3280					
10	175	Mechanical Input Hp	13.33			40A10L21		L
		Thermal Input Hp	14.96			40A10R21		R
		Output Torque (lb in.)	4418			40A10LR21		LR
		Mechanical Output Hp	12.27			40A10H21		HOLLOW
		Output OHL (lbs.)	3640					
15	117	Mechanical Input Hp	10.01		40A15L18	40A15L21		L
		Thermal Input Hp	10.16		40A15R18	40A15R21		R
		Output Torque (lb in.)	4804		40A15LR18	40A15LR21		LR
		Mechanical Output Hp	8.89		40A15H18	40A15H21		HOLLOW
		Output OHL (lbs.)	4190					
20	88	Mechanical Input Hp	7.75		40A20L18	40A20L21		L
		Thermal Input Hp	8.14		40A20R18	40A20R21		R
		Output Torque (lb in.)	4822		40A20LR18	40A20LR21		LR
		Mechanical Output Hp	6.69		40A20H18	40A20H21		HOLLOW
		Output OHL (lbs.)	4300					
25	70	Mechanical Input Hp	6.35		40A25L18			L
		Thermal Input Hp	6.45		40A25R18			R
		Output Torque (lb in.)	4722		40A25LR18			LR
		Mechanical Output Hp	5.25		40A25H18			HOLLOW
		Output OHL (lbs.)	4300					
30	58	Mechanical Input Hp	5.61		40A30L18			L
		Thermal Input Hp	5.78		40A30R18			R
		Output Torque (lb in.)	4898		40A30LR18			LR
		Mechanical Output Hp	4.53		40A30H18			HOLLOW
		Output OHL (lbs.)	4300					
40	44	Mechanical Input Hp	4.43	40A40L14	40A40L18			L
		Thermal Input Hp	4.50	40A40R14	40A40R18			R
		Output Torque (lb in.)	4800	40A40LR14	40A40LR18			LR
		Mechanical Output Hp	3.33	40A40H14	40A40H18			HOLLOW
		Output OHL (lbs.)	4300					
50	35	Mechanical Input Hp	3.63	40A50L14	40A50L18			L
		Thermal Input Hp	3.66	40A50R14	40A50R18			R
		Output Torque (lb in.)	4559	40A50LR14	40A50LR18			LR
		Mechanical Output Hp	2.53	40A50H14	40A50H18			HOLLOW
		Output OHL (lbs.)	4300					
60	29	Mechanical Input Hp	3.00	40A60L14	40A60L18			L
		Thermal Input Hp	3.21	40A60R14	40A60R18			R
		Output Torque (lb in.)	4166	40A60LR14	40A60LR18			LR
		Mechanical Output Hp	1.93	40A60H14	40A60H18			HOLLOW
		Output OHL (lbs.)	4300					

Note: Reducers are shipped without a mounting base. Order bolt-on base kit **40BASE** if required.

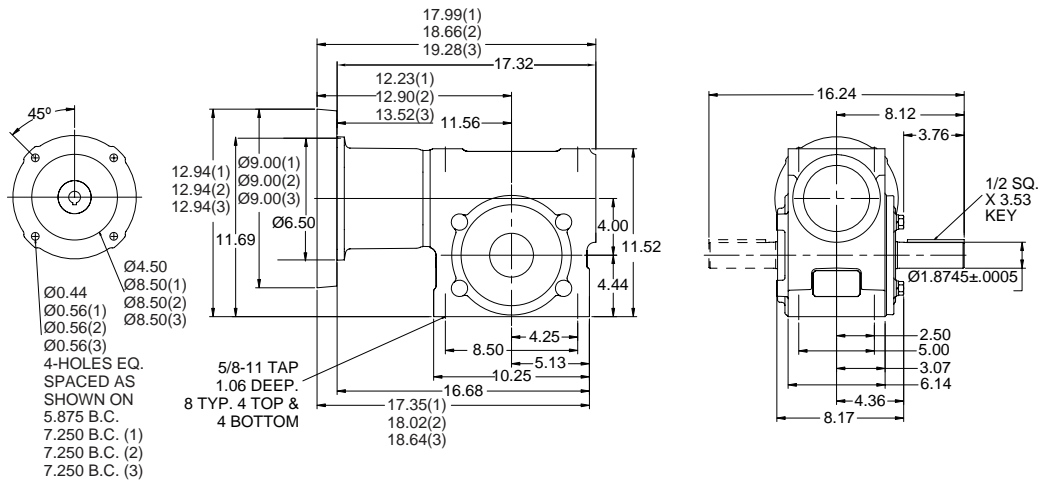
FEATURES/BENEFITS PAGE 3	SPECIFICATION PAGE 6	NOMENCLATURE PAGE 7	MODIFICATION / ACCESSORIES PAGE 78
-----------------------------	-------------------------	------------------------	---------------------------------------

# SELECTION/DIMENSIONS



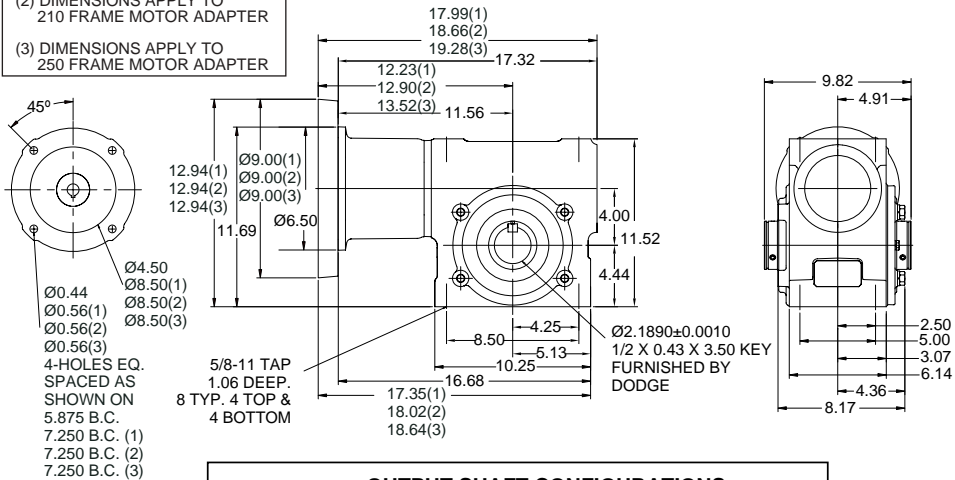
## TIGEAR-2 COUPLED INPUT - ADAPTER ASSEMBLY - SIZE 40

### SOLID OUTPUT

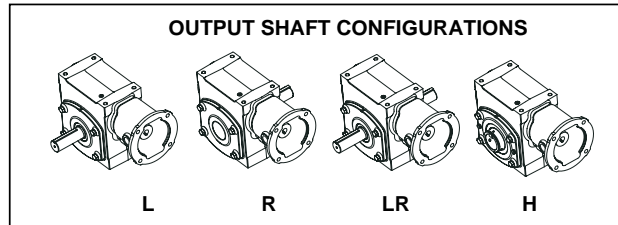


- (1) DIMENSIONS APPLY TO 180 FRAME MOTOR ADAPTER
- (2) DIMENSIONS APPLY TO 210 FRAME MOTOR ADAPTER
- (3) DIMENSIONS APPLY TO 250 FRAME MOTOR ADAPTER

### HOLLOW OUTPUT



### OUTPUT SHAFT CONFIGURATIONS



FEATURES/BENEFITS PAGE 3	SPECIFICATION PAGE 6	NOMENCLATURE PAGE 7	MODIFICATION / ACCESSORIES PAGE 78
-----------------------------	-------------------------	------------------------	---------------------------------------