

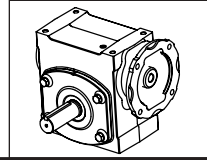
## SELECTION/DIMENSIONS

### TIGEAR-2 QUILL INPUT - SIZE 35

RATIO	OUTPUT RPM	RATING DATA 1750 INPUT RPM		PART NUMBER				SHAFT POSITION
				56C	140TC	180TC	210TC	
5	350	Mechanical Input Hp	15.18		35Q05L14	35Q05L18	35Q05L21	L
		Thermal Input Hp	15.51		35Q05R14	35Q05R18	35Q05R21	R
		Output Torque (lb in.)	2593		35Q05LR14	35Q05LR18	35Q05LR21	LR
		Mechanical Output Hp	14.40		35Q05H14	35Q05H18	35Q05H21	HOLLOW
		Output OHL (lbs.)	2120					
7.5	233	Mechanical Input Hp	12.24		35Q07L14	35Q07L18	35Q07L21	L
		Thermal Input Hp	12.52		35Q07R14	35Q07R18	35Q07R21	R
		Output Torque (lb in.)	3054		35Q07LR14	35Q07LR18	35Q07LR21	LR
		Mechanical Output Hp	11.46		35Q07H14	35Q07H18	35Q07H21	HOLLOW
		Output OHL (lbs.)	2430					
10	175	Mechanical Input Hp	10.00		35Q10L14	35Q10L18	35Q10L21	L
		Thermal Input Hp	10.63		35Q10R14	35Q10R18	35Q10R21	R
		Output Torque (lb in.)	3310		35Q10LR14	35Q10LR18	35Q10LR21	LR
		Mechanical Output Hp	9.19		35Q10H14	35Q10H18	35Q10H21	HOLLOW
		Output OHL (lbs.)	2700					
15	117	Mechanical Input Hp	7.44		35Q15L14	35Q15L18		L
		Thermal Input Hp	7.56		35Q15R14	35Q15R18		R
		Output Torque (lb in.)	3599		35Q15LR14	35Q15LR18		LR
		Mechanical Output Hp	6.66		35Q15H14	35Q15H18		HOLLOW
		Output OHL (lbs.)	2760					
20	88	Mechanical Input Hp	5.79		35Q20L14	35Q20L18		L
		Thermal Input Hp	5.97		35Q20R14	35Q20R18		R
		Output Torque (lb in.)	3620		35Q20LR14	35Q20LR18		LR
		Mechanical Output Hp	5.03		35Q20H14	35Q20H18		HOLLOW
		Output OHL (lbs.)	2760					
25	70	Mechanical Input Hp	4.72		35Q25L14	35Q25L18		L
		Thermal Input Hp	5.10		35Q25R14	35Q25R18		R
		Output Torque (lb in.)	3586		35Q25LR14	35Q25LR18		LR
		Mechanical Output Hp	3.98		35Q25H14	35Q25H18		HOLLOW
		Output OHL (lbs.)	2760					
30	58	Mechanical Input Hp	4.15	35Q30L56	35Q30L14	35Q30L18		L
		Thermal Input Hp	4.43	35Q30R56	35Q30R14	35Q30R18		R
		Output Torque (lb in.)	3682	35Q30LR56	35Q30LR14	35Q30LR18		LR
		Mechanical Output Hp	3.41	35Q30H56	35Q30H14	35Q30H18		HOLLOW
		Output OHL (lbs.)	2760					
40	44	Mechanical Input Hp	3.23	35Q40L56	35Q40L14	35Q40L18		L
		Thermal Input Hp	3.54	35Q40R56	35Q40R14	35Q40R18		R
		Output Torque (lb in.)	3622	35Q40LR56	35Q40LR14	35Q40LR18		LR
		Mechanical Output Hp	2.51	35Q40H56	35Q40H14	35Q40H18		HOLLOW
		Output OHL (lbs.)	2760					
50	35	Mechanical Input Hp	2.64	35Q50L56	35Q50L14			L
		Thermal Input Hp	2.94	35Q50R56	35Q50R14			R
		Output Torque (lb in.)	3485	35Q50LR56	35Q50LR14			LR
		Mechanical Output Hp	1.94	35Q50H56	35Q50H14			HOLLOW
		Output OHL (lbs.)	2760					
60	29	Mechanical Input Hp	2.19	35Q60L56	35Q60L14			L
		Thermal Input Hp	2.43	35Q60R56	35Q60R14			R
		Output Torque (lb in.)	3194	35Q60LR56	35Q60LR14			LR
		Mechanical Output Hp	1.48	35Q60H56	35Q60H14			HOLLOW
		Output OHL (lbs.)	2760					

Note: Reducers are shipped without a mounting base. Order bolt-on base kit 35BASE if required.

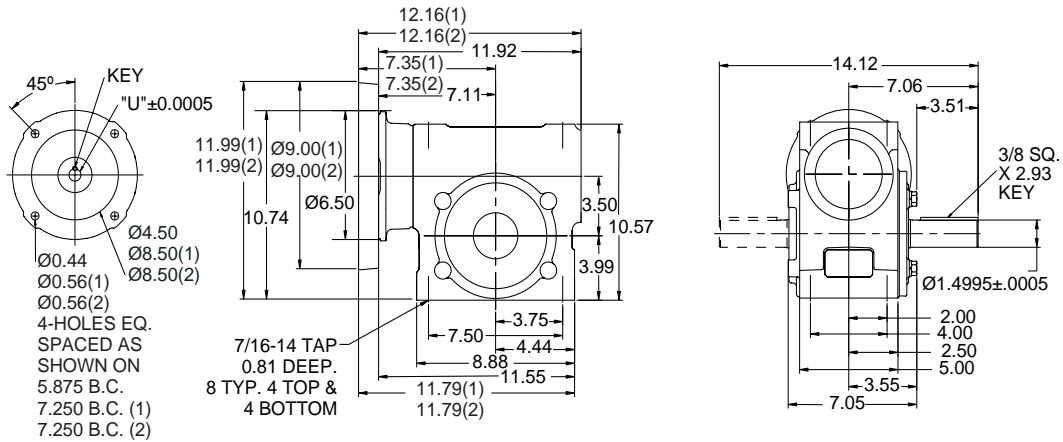
FEATURES/BENEFITS PAGE 3	SPECIFICATION PAGE 6	NOMENCLATURE PAGE 7	MODIFICATION / ACCESSORIES PAGE 78
-----------------------------	-------------------------	------------------------	---------------------------------------



# SELECTION/DIMENSIONS

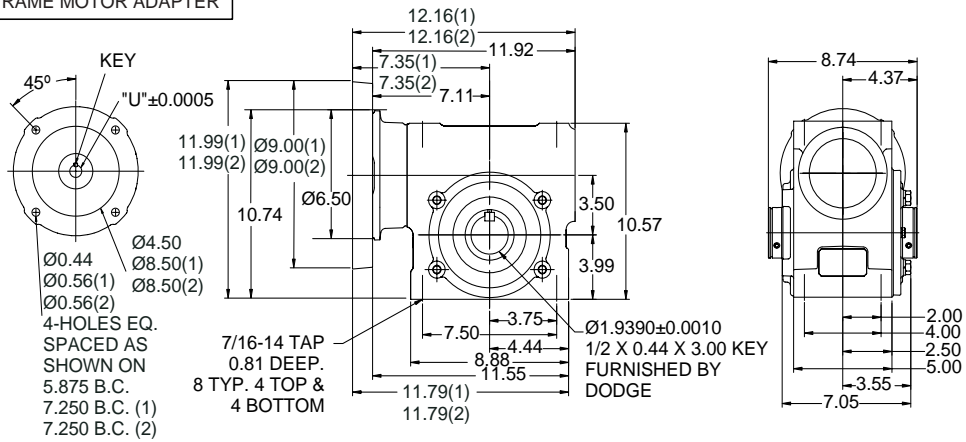
## TIGEAR-2 QUILL INPUT - SIZE 35

### SOLID OUTPUT

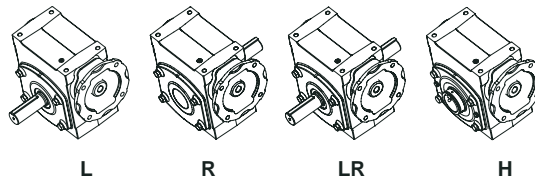


- (1) DIMENSIONS APPLY TO  
180 FRAME MOTOR ADAPTER
- (2) DIMENSIONS APPLY TO  
210 FRAME MOTOR ADAPTER

### HOLLOW OUTPUT

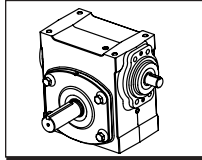


### OUTPUT SHAFT CONFIGURATIONS



MOTOR FRAME	DIM "U"	KEY
48Y 56C	Ø0.626	3/16 SQ. X 2.43 KEY
140TC 160ATC	Ø0.876	3/16 SQ X 2.43 KEY
180TC 180ATC	Ø1.126	1/4 SQ. X 2.36 KEY
210TC 210ATC	Ø1.376	5/16 SQ X 2.57 KEY

FEATURES/BENEFITS PAGE 3	SPECIFICATION PAGE 6	NOMENCLATURE PAGE 7	MODIFICATION / ACCESSORIES PAGE 78
-----------------------------	-------------------------	------------------------	---------------------------------------



## SELECTION/DIMENSIONS

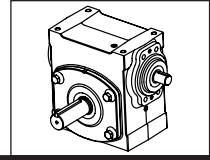
### TIGEAR-2 SEPARATE INPUT - SIZE 35

RATIO	OUTPUT RPM	RATING DATA 1750 INPUT RPM		SEPARATE REDUCER	SHAFT POSITION	OPTIONAL MOTOR ADAPTER KIT			
						56C	140TC	180TC	210TC
5	350	Mechanical Input Hp	15.18	35S05L	L	35MTR14	35MTR18	35MTR21	
		Thermal Input Hp	15.51	35S05R	R				
		Output Torque (lb in.)	2593	35S05LR	LR				
		Mechanical Output Hp	14.40	35S05H	HOLLOW				
		Output OHL (lbs.)	2120						
7.5	233	Mechanical Input Hp	12.24	35S07L	L	35MTR14	35MTR18	35MTR21	
		Thermal Input Hp	12.52	35S07R	R				
		Output Torque (lb in.)	3054	35S07LR	LR				
		Mechanical Output Hp	11.46	35S07H	HOLLOW				
		Output OHL (lbs.)	2430						
10	175	Mechanical Input Hp	10.00	35S10L	L	35MTR14	35MTR18	35MTR21	
		Thermal Input Hp	10.63	35S10R	R				
		Output Torque (lb in.)	3310	35S10LR	LR				
		Mechanical Output Hp	9.19	35S10H	HOLLOW				
		Output OHL (lbs.)	2700						
15	117	Mechanical Input Hp	7.44	35S15L	L	35MTR14	35MTR18		
		Thermal Input Hp	7.56	35S15R	R				
		Output Torque (lb in.)	3599	35S15LR	LR				
		Mechanical Output Hp	6.66	35S15H	HOLLOW				
		Output OHL (lbs.)	2760						
20	88	Mechanical Input Hp	5.79	35S20L	L	35MTR14	35MTR18		
		Thermal Input Hp	5.97	35S20R	R				
		Output Torque (lb in.)	3620	35S20LR	LR				
		Mechanical Output Hp	5.03	35S20H	HOLLOW				
		Output OHL (lbs.)	2760						
25	70	Mechanical Input Hp	4.72	35S25L	L	35MTR14	35MTR18		
		Thermal Input Hp	5.10	35S25R	R				
		Output Torque (lb in.)	3586	35S25LR	LR				
		Mechanical Output Hp	3.98	35S25H	HOLLOW				
		Output OHL (lbs.)	2760						
30	58	Mechanical Input Hp	4.15	35S30L	L	35MTR56	35MTR14	35MTR18	
		Thermal Input Hp	4.43	35S30R	R				
		Output Torque (lb in.)	3682	35S30LR	LR				
		Mechanical Output Hp	3.41	35S30H	HOLLOW				
		Output OHL (lbs.)	2760						
40	44	Mechanical Input Hp	3.23	35S40L	L	35MTR56	35MTR14	35MTR18	
		Thermal Input Hp	3.54	35S40R	R				
		Output Torque (lb in.)	3622	35S40LR	LR				
		Mechanical Output Hp	2.51	35S40H	HOLLOW				
		Output OHL (lbs.)	2760						
50	35	Mechanical Input Hp	2.64	35S50L	L	35MTR56	35MTR14		
		Thermal Input Hp	2.94	35S50R	R				
		Output Torque (lb in.)	3485	35S50LR	LR				
		Mechanical Output Hp	1.94	35S50H	HOLLOW				
		Output OHL (lbs.)	2760						
60	29	Mechanical Input Hp	2.19	35S60L	L	35MTR56	35MTR14		
		Thermal Input Hp	2.43	35S60R	R				
		Output Torque (lb in.)	3194	35S60LR	LR				
		Mechanical Output Hp	1.48	35S60H	HOLLOW				
		Output OHL (lbs.)	2760						
All Ratios		Input OHL (lbs)	330	One diameter from seal surface					

**Note:** TIGEAR-2 separate reducers cannot be used with the old Adaptable TIGEAR motor adapter kits.

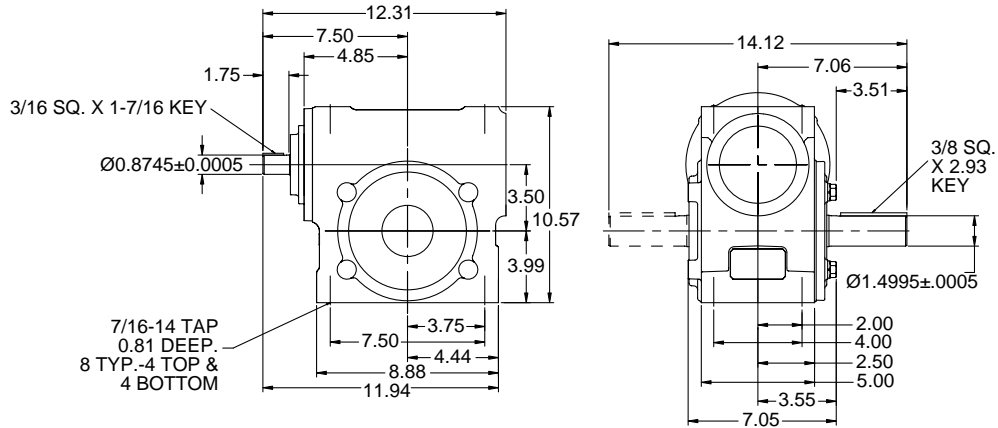
FEATURES/BENEFITS PAGE 3	SPECIFICATION PAGE 6	NOMENCLATURE PAGE 7	MODIFICATION / ACCESSORIES PAGE 78
-----------------------------	-------------------------	------------------------	---------------------------------------

# SELECTION/DIMENSIONS

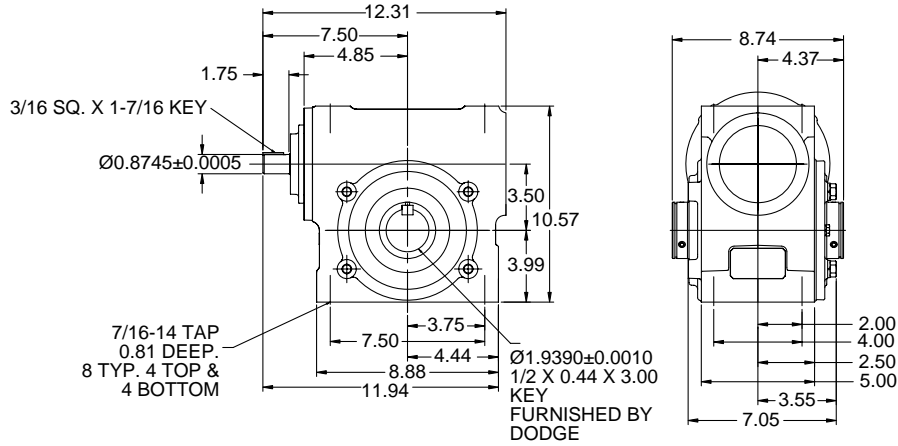


## TIGEAR-2 SEPARATE INPUT - SIZE 35

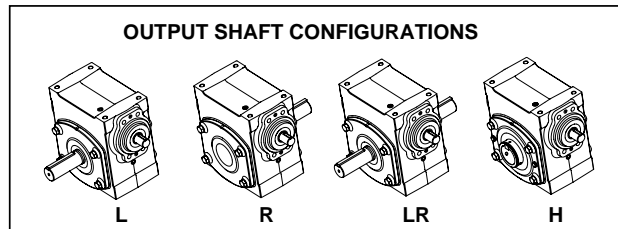
### SOLID OUTPUT



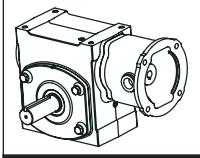
### HOLLOW OUTPUT



### OUTPUT SHAFT CONFIGURATIONS



FEATURES/BENEFITS PAGE 3	SPECIFICATION PAGE 6	NOMENCLATURE PAGE 7	MODIFICATION / ACCESSORIES PAGE 78
-----------------------------	-------------------------	------------------------	---------------------------------------



## SELECTION/DIMENSIONS

### TIGEAR-2 COUPLED INPUT - ADAPTER ASSEMBLY - SIZE 35

Coupled input units include a Separate reducer and motor adapter kit assembled together.

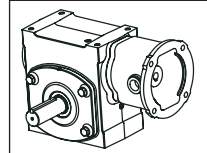
These assemblies are normally "made to order" with a 5 day standard lead time.

RATIO	OUTPUT RPM	RATING DATA 1750 INPUT RPM		PART NUMBER				SHAFT POSITION
				56C	140TC	180TC	210TC	
5	350	Mechanical Input Hp	15.18		35A05L14	35A05L18	35A05L21	L
		Thermal Input Hp	15.51		35A05R14	35A05R18	35A05R21	R
		Output Torque (lb in.)	2593		35A05LR14	35A05LR18	35A05LR21	LR
		Mechanical Output Hp	14.40		35A05H14	35A05H18	35A05H21	HOLLOW
		Output OHL (lbs.)	2120					
7.5	233	Mechanical Input Hp	12.24		35A07L14	35A07L18	35A07L21	L
		Thermal Input Hp	12.52		35A07R14	35A07R18	35A07R21	R
		Output Torque (lb in.)	3054		35A07LR14	35A07LR18	35A07LR21	LR
		Mechanical Output Hp	11.46		35A07H14	35A07H18	35A07H21	HOLLOW
		Output OHL (lbs.)	2430					
10	175	Mechanical Input Hp	10.00		35A10L14	35A10L18	35A10L21	L
		Thermal Input Hp	10.63		35A10R14	35A10R18	35A10R21	R
		Output Torque (lb in.)	3310		35A10LR14	35A10LR18	35A10LR21	LR
		Mechanical Output Hp	9.19		35A10H14	35A10H18	35A10H21	HOLLOW
		Output OHL (lbs.)	2700					
15	117	Mechanical Input Hp	7.44		35A15L14	35A15L18		L
		Thermal Input Hp	7.56		35A15R14	35A15R18		R
		Output Torque (lb in.)	3599		35A15LR14	35A15LR18		LR
		Mechanical Output Hp	6.66		35A15H14	35A15H18		HOLLOW
		Output OHL (lbs.)	2760					
20	88	Mechanical Input Hp	5.79		35A20L14	35A20L18		L
		Thermal Input Hp	5.97		35A20R14	35A20R18		R
		Output Torque (lb in.)	3620		35A20LR14	35A20LR18		LR
		Mechanical Output Hp	5.03		35A20H14	35A20H18		HOLLOW
		Output OHL (lbs.)	2760					
25	70	Mechanical Input Hp	4.72		35A25L14	35A25L18		L
		Thermal Input Hp	5.10		35A25R14	35A25R18		R
		Output Torque (lb in.)	3586		35A25LR14	35A25LR18		LR
		Mechanical Output Hp	3.98		35A25H14	35A25H18		HOLLOW
		Output OHL (lbs.)	2760					
30	58	Mechanical Input Hp	4.15	35A30L56	35A30L14	35A30L18		L
		Thermal Input Hp	4.43	35A30R56	35A30R14	35A30R18		R
		Output Torque (lb in.)	3682	35A30LR56	35A30LR14	35A30LR18		LR
		Mechanical Output Hp	3.41	35A30H56	35A30H14	35A30H18		HOLLOW
		Output OHL (lbs.)	2760					
40	44	Mechanical Input Hp	3.23	35A40L56	35A40L14	35A40L18		L
		Thermal Input Hp	3.54	35A40R56	35A40R14	35A40R18		R
		Output Torque (lb in.)	3622	35A40LR56	35A40LR14	35A40LR18		LR
		Mechanical Output Hp	2.51	35A40H56	35A40H14	35A40H18		HOLLOW
		Output OHL (lbs.)	2760					
50	35	Mechanical Input Hp	2.64	35A50L56	35A50L14			L
		Thermal Input Hp	2.94	35A50R56	35A50R14			R
		Output Torque (lb in.)	3485	35A50LR56	35A50LR14			LR
		Mechanical Output Hp	1.94	35A50H56	35A50H14			HOLLOW
		Output OHL (lbs.)	2760					
60	29	Mechanical Input Hp	2.19	35A60L56	35A60L14			L
		Thermal Input Hp	2.43	35A60R56	35A60R14			R
		Output Torque (lb in.)	3194	35A60LR56	35A60LR14			LR
		Mechanical Output Hp	1.48	35A60H56	35A60H14			HOLLOW
		Output OHL (lbs.)	2760					

Note: Reducers are shipped without a mounting base. Order bolt-on base kit **35BASE** if required.

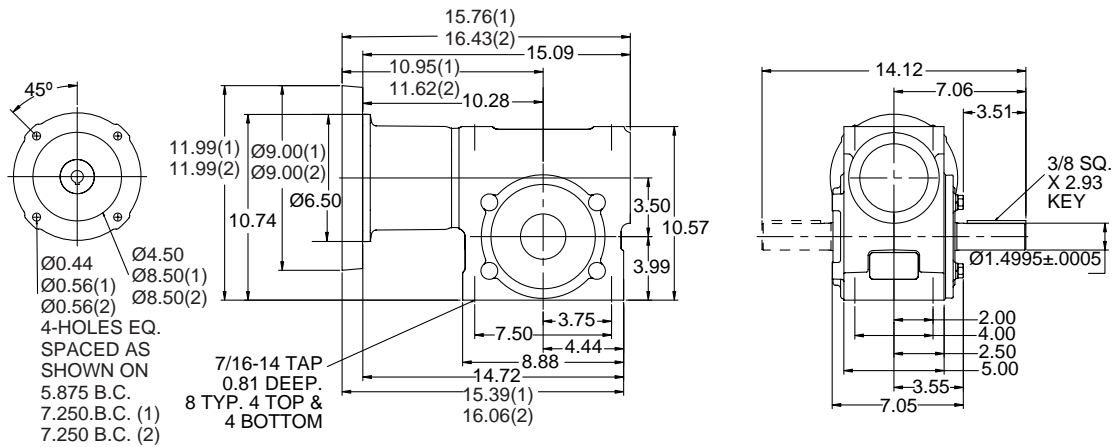
FEATURES/BENEFITS PAGE 3	SPECIFICATION PAGE 6	NOMENCLATURE PAGE 7	MODIFICATION / ACCESSORIES PAGE 78
-----------------------------	-------------------------	------------------------	---------------------------------------

# SELECTION/DIMENSIONS



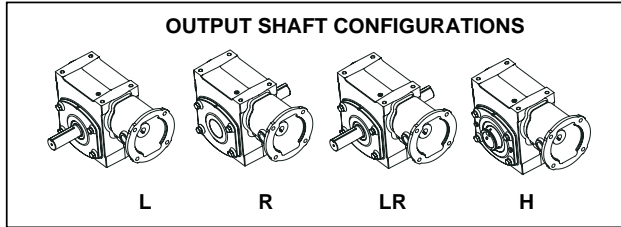
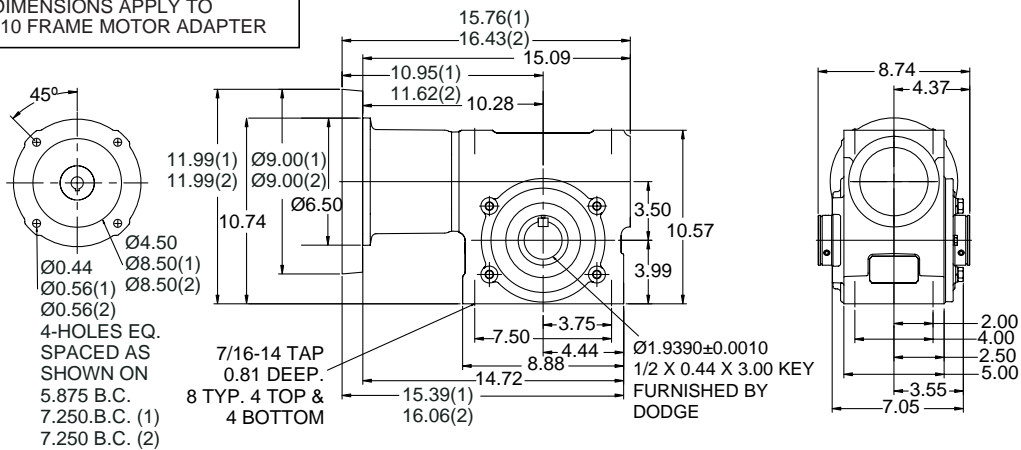
## TIGEAR-2 COUPLED INPUT - ADAPTER ASSEMBLY - SIZE 35

### SOLID OUTPUT



- (1) DIMENSIONS APPLY TO 180 FRAME MOTOR ADAPTER
- (2) DIMENSIONS APPLY TO 210 FRAME MOTOR ADAPTER

### HOLLOW OUTPUT



FEATURES/BENEFITS PAGE 3	SPECIFICATION PAGE 6	NOMENCLATURE PAGE 7	MODIFICATION / ACCESSORIES PAGE 78
-----------------------------	-------------------------	------------------------	---------------------------------------