

Straight Blade Devices 20A, 125V, 2 Pole, 3 Wire Grounding USB Charger Duplex Receptacle

HUBBELL

Features

- High Power 3.1 Amp, 5 Volt USB Output
- Two Type A USB Ports
- Tamper Resistant Grade Duplex Compatible
- USB Ports Rated 10,000 Cycles

Ordering Information

Description	Color	UPC Number	Catalog Number
Tamper Resistant 20A/125V Duplex, 3.1 Amp, 5 Volts USB Ports	White	883778310058	USB20AW

Listings

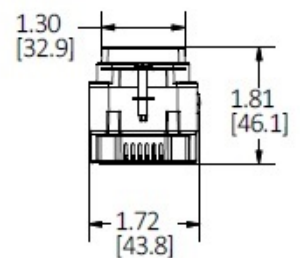
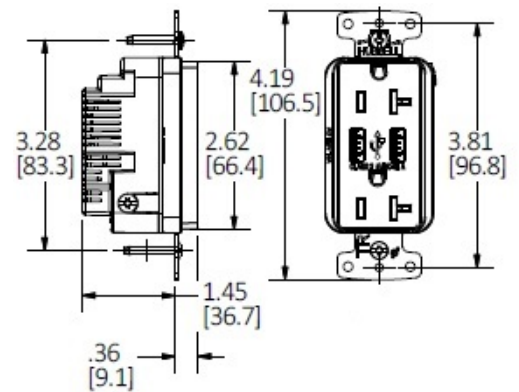
cULus Listed to UL498, UL1310

Specifications

Mounting Strap	.040" Zinc Plated Steel
Face	Reinforce Thermoplastic
Base	Reinforce Thermoplastic
USB Port	Stainless Steel
Contacts	Plated Steel
Clamp	Plated Steel
Terminal Screws	Plated Steel
Mounting Screws	Zinc Plated Steel

Performance

Electrical	
Current Interrupting	Certified for current interrupting at full rated current
Dielectric Voltage	Withstands 1,500 V minimum Complies with USB BC1.2 Battery Charging and 3.0 Power Delivery Specifications
Mechanical	
Product Identification	Ratings are a permanent part of the device
Terminal Accommodation	#14-#10 AWG copper stranded or solid conductor only
Terminal Identification	Terminals identified in accordance with UL 498 and CSA
USB Ports	Stainless steel rated for 10,000 plug insertions and removal
Environmental	
Flammability	UL 94V-2
Operating Temperature	Maximum continuous 75°C, minimum -40°C (w/o impact)



Dimensions in Inches (mm)

Hubbell Wiring Device-Kellems • Hubbell Incorporated (Delaware) • 40 Waterview Drive • Shelton, CT 06484

Phone (800) 288-6000 • Fax (800) 255-1031 • Specifications subject to change without notice.

