

SELECTION/DIMENSIONS

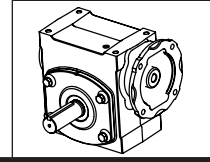
TIGEAR-2 QUILL INPUT - SIZE 30

RATIO	OUTPUT RPM	RATING DATA 1750 INPUT RPM		PART NUMBER			SHAFT POSITION
				56C	140TC	180TC	
5	350	Mechanical Input Hp	10.84		30Q05L14	30Q05L18	L
		Thermal Input Hp	12.53		30Q05R14	30Q05R18	R
		Output Torque (lb in.)	1849		30Q05LR14	30Q05LR18	LR
		Mechanical Output Hp	10.27		30Q05H14	30Q05H18	HOLLOW
		Output OHL (lbs.)	1330				
7.5	233	Mechanical Input Hp	8.74		30Q07L14	30Q07L18	L
		Thermal Input Hp	9.64		30Q07R14	30Q07R18	R
		Output Torque (lb in.)	2171		30Q07LR14	30Q07LR18	LR
		Mechanical Output Hp	8.15		30Q07H14	30Q07H18	HOLLOW
		Output OHL (lbs.)	1540				
10	175	Mechanical Input Hp	7.11		30Q10L14	30Q10L18	L
		Thermal Input Hp	7.85		30Q10R14	30Q10R18	R
		Output Torque (lb in.)	2347		30Q10LR14	30Q10LR18	LR
		Mechanical Output Hp	6.52		30Q10H14	30Q10H18	HOLLOW
		Output OHL (lbs.)	1720				
15	117	Mechanical Input Hp	5.00		30Q15L14	30Q15L18	L
		Thermal Input Hp	5.72		30Q15R14	30Q15R18	R
		Output Torque (lb in.)	2371		30Q15LR14	30Q15LR18	LR
		Mechanical Output Hp	4.39		30Q15H14	30Q15H18	HOLLOW
		Output OHL (lbs.)	2300				
20	88	Mechanical Input Hp	3.81	30Q20L56	30Q20L14	30Q20L18	L
		Thermal Input Hp	4.52	30Q20R56	30Q20R14	30Q20R18	R
		Output Torque (lb in.)	2345	30Q20LR56	30Q20LR14	30Q20LR18	LR
		Mechanical Output Hp	3.26	30Q20H56	30Q20H14	30Q20H18	HOLLOW
		Output OHL (lbs.)	2300				
25	70	Mechanical Input Hp	3.05	30Q25L56	30Q25L14	30Q25L18	L
		Thermal Input Hp	3.90	30Q25R56	30Q25R14	30Q25R18	R
		Output Torque (lb in.)	2284	30Q25LR56	30Q25LR14	30Q25LR18	LR
		Mechanical Output Hp	2.54	30Q25H56	30Q25H14	30Q25H18	HOLLOW
		Output OHL (lbs.)	2300				
30	58	Mechanical Input Hp	2.75	30Q30L56	30Q30L14		L
		Thermal Input Hp	3.58	30Q30R56	30Q30R14		R
		Output Torque (lb in.)	2417	30Q30LR56	30Q30LR14		LR
		Mechanical Output Hp	2.24	30Q30H56	30Q30H14		HOLLOW
		Output OHL (lbs.)	2300				
40	44	Mechanical Input Hp	2.09	30Q40L56	30Q40L14		L
		Thermal Input Hp	2.87	30Q40R56	30Q40R14		R
		Output Torque (lb in.)	2324	30Q40LR56	30Q40LR14		LR
		Mechanical Output Hp	1.61	30Q40H56	30Q40H14		HOLLOW
		Output OHL (lbs.)	2300				
50	35	Mechanical Input Hp	1.75	30Q50L56	30Q50L14		L
		Thermal Input Hp	2.34	30Q50R56	30Q50R14		R
		Output Torque (lb in.)	2257	30Q50LR56	30Q50LR14		LR
		Mechanical Output Hp	1.25	30Q50H56	30Q50H14		HOLLOW
		Output OHL (lbs.)	2300				
60	29	Mechanical Input Hp	1.50	30Q60L56	30Q60L14		L
		Thermal Input Hp	2.01	30Q60R56	30Q60R14		R
		Output Torque (lb in.)	2138	30Q60LR56	30Q60LR14		LR
		Mechanical Output Hp	0.99	30Q60H56	30Q60H14		HOLLOW
		Output OHL (lbs.)	2300				

Note: Reducers are shipped without a mounting base. Order bolt-on base kit **30BASE** if required.

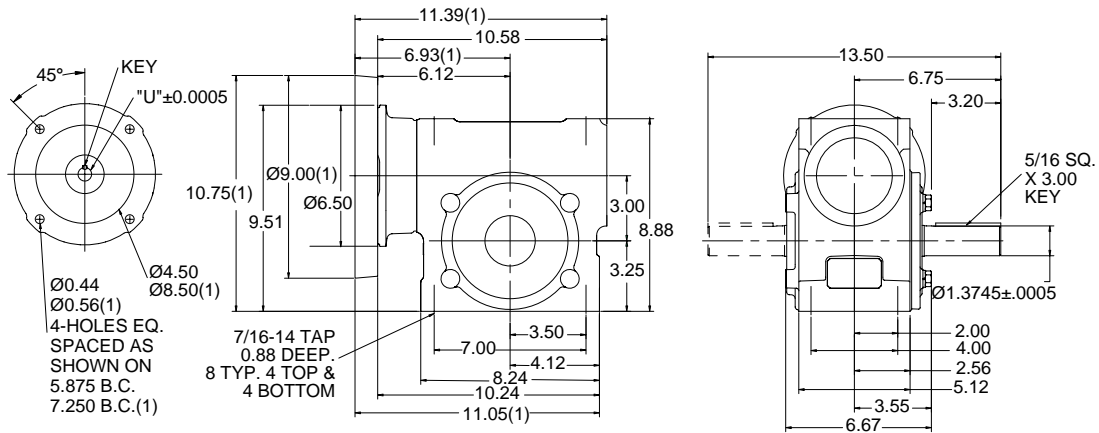
FEATURES/BENEFITS PAGE 3	SPECIFICATION PAGE 6	NOMENCLATURE PAGE 7	MODIFICATION / ACCESSORIES PAGE 78
-----------------------------	-------------------------	------------------------	---------------------------------------

SELECTION/DIMENSIONS



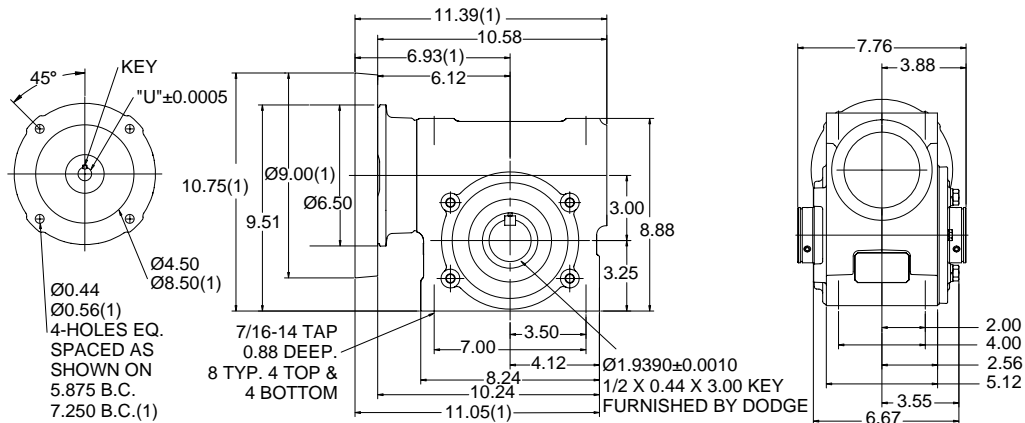
TIGEAR-2 QUILL INPUT - SIZE 30

SOLID OUTPUT

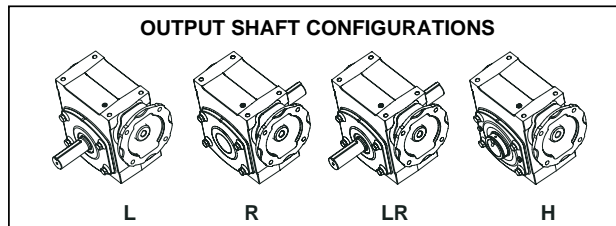


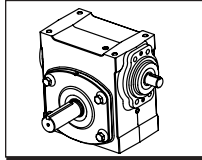
(1) DIMENSIONS APPLY TO 180 FRAME MOTOR ADAPTER

HOLLOW OUTPUT



MOTOR FRAME	"U"	KEY
48Y 56C	.626	3/16 SQ. x 1.50 KEY
140TC 160ATC	.876	3/16 SQ. x 1.50 KEY
180TC 180ATC	1.126	1/4 SQ. x 2.00 KEY





SELECTION/DIMENSIONS

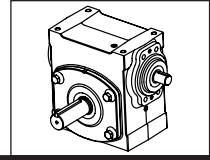
TIGEAR-2 SEPARATE INPUT - SIZE 30

RATIO	OUTPUT RPM	RATING DATA 1750 INPUT RPM		SEPARATE REDUCER	SHAFT POSITION	OPTIONAL MOTOR ADAPTER KIT		
						56C	140TC	180TC
5	350	Mechanical Input Hp	10.84	30S05L 30S05R 30S05LR 30S05H	L R LR HOLLOW		2330MTR14	2330MTR18
		Thermal Input Hp	12.53					
		Output Torque (lb in.)	1849					
		Mechanical Output Hp	10.27					
		Output OHL (lbs.)	1330					
7.5	233	Mechanical Input Hp	8.74	30S07L 30S07R 30S07LR 30S07H	L R LR HOLLOW		2330MTR14	2330MTR18
		Thermal Input Hp	9.64					
		Output Torque (lb in.)	2171					
		Mechanical Output Hp	8.15					
		Output OHL (lbs.)	1540					
10	175	Mechanical Input Hp	7.11	30S10L 30S10R 30S10LR 30S10H	L R LR HOLLOW		2330MTR14	2330MTR18
		Thermal Input Hp	7.85					
		Output Torque (lb in.)	2347					
		Mechanical Output Hp	6.52					
		Output OHL (lbs.)	1720					
15	117	Mechanical Input Hp	5.00	30S15L 30S15R 30S15LR 30S15H	L R LR HOLLOW		2330MTR14	2330MTR18
		Thermal Input Hp	5.72					
		Output Torque (lb in.)	2371					
		Mechanical Output Hp	4.39					
		Output OHL (lbs.)	2300					
20	88	Mechanical Input Hp	3.81	30S20L 30S20R 30S20LR 30S20H	L R LR HOLLOW	2330MTR56	2330MTR14	2330MTR18
		Thermal Input Hp	4.52					
		Output Torque (lb in.)	2345					
		Mechanical Output Hp	3.26					
		Output OHL (lbs.)	2300					
25	70	Mechanical Input Hp	3.05	30S25L 30S25R 30S25LR 30S25H	L R LR HOLLOW	2330MTR56	2330MTR14	2330MTR18
		Thermal Input Hp	3.90					
		Output Torque (lb in.)	2284					
		Mechanical Output Hp	2.54					
		Output OHL (lbs.)	2300					
30	58	Mechanical Input Hp	2.75	30S30L 30S30R 30S30LR 30S30H	L R LR HOLLOW	2330MTR56	2330MTR14	
		Thermal Input Hp	3.58					
		Output Torque (lb in.)	2417					
		Mechanical Output Hp	2.24					
		Output OHL (lbs.)	2300					
40	44	Mechanical Input Hp	2.09	30S40L 30S40R 30S40LR 30S40H	L R LR HOLLOW	2330MTR56	2330MTR14	
		Thermal Input Hp	2.87					
		Output Torque (lb in.)	2324					
		Mechanical Output Hp	1.61					
		Output OHL (lbs.)	2300					
50	35	Mechanical Input Hp	1.75	30S50L 30S50R 30S50LR 30S50H	L R LR HOLLOW	2330MTR56	2330MTR14	
		Thermal Input Hp	2.34					
		Output Torque (lb in.)	2257					
		Mechanical Output Hp	1.25					
		Output OHL (lbs.)	2300					
60	29	Mechanical Input Hp	1.50	30S60L 30S60R 30S60LR 30S60H	L R LR HOLLOW	2330MTR56	2330MTR14	
		Thermal Input Hp	2.01					
		Output Torque (lb in.)	2138					
		Mechanical Output Hp	0.99					
		Output OHL (lbs.)	2300					
All Ratios		Input OHL (lbs)	280	One diameter from seal surface				

Note: TIGEAR-2 separate reducers cannot be used with the old Adaptable TIGEAR motor adapter kits.

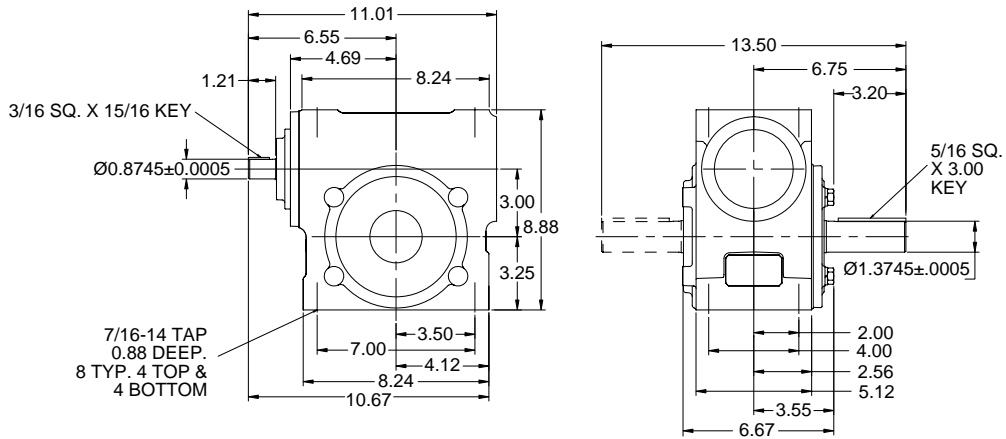
FEATURES/BENEFITS PAGE 3	SPECIFICATION PAGE 6	NOMENCLATURE PAGE 7	MODIFICATION / ACCESSORIES PAGE 78
-----------------------------	-------------------------	------------------------	---------------------------------------

SELECTION/DIMENSIONS

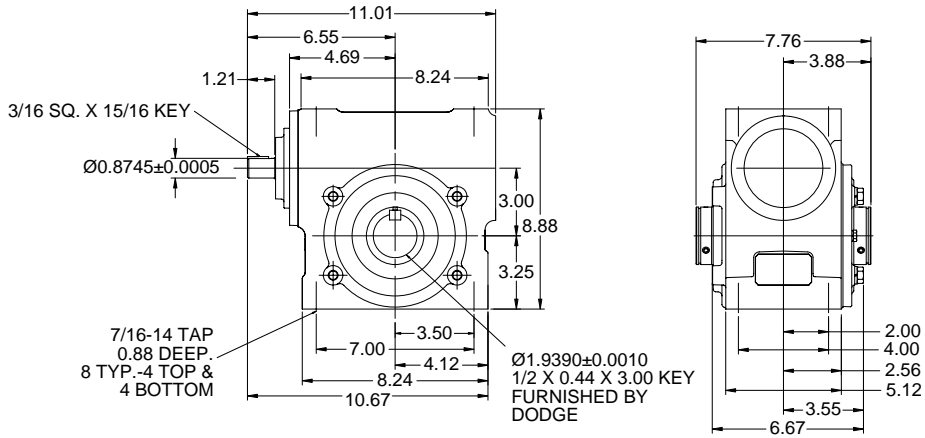


TIGEAR-2 SEPARATE INPUT - SIZE 30

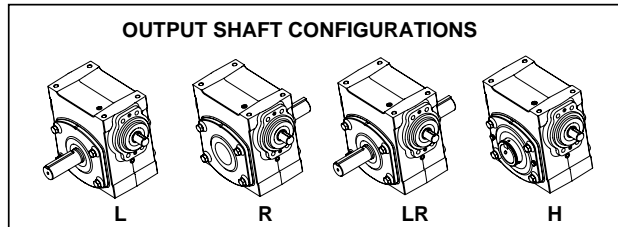
SOLID OUTPUT



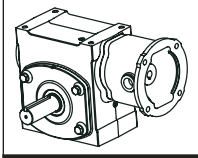
HOLLOW OUTPUT



OUTPUT SHAFT CONFIGURATIONS



FEATURES/BENEFITS PAGE 3	SPECIFICATION PAGE 6	NOMENCLATURE PAGE 7	MODIFICATION / ACCESSORIES PAGE 78
-----------------------------	-------------------------	------------------------	---------------------------------------



SELECTION/DIMENSIONS

TIGEAR-2 COUPLED INPUT - ADAPTER ASSEMBLY - SIZE 30

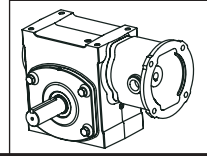
Coupled input units include a Separate reducer and motor adapter kit assembled together.

These assemblies are normally "made to order" with a 5 day standard lead time.

RATIO	OUTPUT RPM	RATING DATA 1750 INPUT RPM		PART NUMBER			SHAFT POSITION
				56C	140TC	180TC	
5	350	Mechanical Input Hp	10.84		30A05L14	30A05L18	L
		Thermal Input Hp	12.53		30A05R14	30A05R18	R
		Output Torque (lb in.)	1849		30A05LR14	30A05LR18	LR
		Mechanical Output Hp	10.27		30A05H14	30A05H18	HOLLOW
		Output OHL (lbs.)	1330				
7.5	233	Mechanical Input Hp	8.74		30A07L14	30A07L18	L
		Thermal Input Hp	9.64		30A07R14	30A07R18	R
		Output Torque (lb in.)	2171		30A07LR14	30A07LR18	LR
		Mechanical Output Hp	8.15		30A07H14	30A07H18	HOLLOW
		Output OHL (lbs.)	1540				
10	175	Mechanical Input Hp	7.11		30A10L14	30A10L18	L
		Thermal Input Hp	7.85		30A10R14	30A10R18	R
		Output Torque (lb in.)	2347		30A10LR14	30A10LR18	LR
		Mechanical Output Hp	6.52		30A10H14	30A10H18	HOLLOW
		Output OHL (lbs.)	1720				
15	117	Mechanical Input Hp	5.00		30A15L14	30A15L18	L
		Thermal Input Hp	5.72		30A15R14	30A15R18	R
		Output Torque (lb in.)	2371		30A15LR14	30A15LR18	LR
		Mechanical Output Hp	4.39		30A15H14	30A15H18	HOLLOW
		Output OHL (lbs.)	2300				
20	88	Mechanical Input Hp	3.81	30A20L56	30A20L14	30A20L18	L
		Thermal Input Hp	4.52	30A20R56	30A20R14	30A20R18	R
		Output Torque (lb in.)	2345	30A20LR56	30A20LR14	30A20LR18	LR
		Mechanical Output Hp	3.26	30A20H56	30A20H14	30A20H18	HOLLOW
		Output OHL (lbs.)	2300				
25	70	Mechanical Input Hp	3.05	30A25L56	30A25L14	30A25L18	L
		Thermal Input Hp	3.90	30A25R56	30A25R14	30A25R18	R
		Output Torque (lb in.)	2284	30A25LR56	30A25LR14	30A25LR18	LR
		Mechanical Output Hp	2.54	30A25H56	30A25H14	30A25H18	HOLLOW
		Output OHL (lbs.)	2300				
30	58	Mechanical Input Hp	2.75	30A30L56	30A30L14		L
		Thermal Input Hp	3.58	30A30R56	30A30R14		R
		Output Torque (lb in.)	2417	30A30LR56	30A30LR14		LR
		Mechanical Output Hp	2.24	30A30H56	30A30H14		HOLLOW
		Output OHL (lbs.)	2300				
40	44	Mechanical Input Hp	2.09	30A40L56	30A40L14		L
		Thermal Input Hp	2.87	30A40R56	30A40R14		R
		Output Torque (lb in.)	2324	30A40LR56	30A40LR14		LR
		Mechanical Output Hp	1.61	30A40H56	30A40H14		HOLLOW
		Output OHL (lbs.)	2300				
50	35	Mechanical Input Hp	1.75	30A50L56	30A50L14		L
		Thermal Input Hp	2.34	30A50R56	30A50R14		R
		Output Torque (lb in.)	2257	30A50LR56	30A50LR14		LR
		Mechanical Output Hp	1.25	30A50H56	30A50H14		HOLLOW
		Output OHL (lbs.)	2300				
60	29	Mechanical Input Hp	1.50	30A60L56	30A60L14		L
		Thermal Input Hp	2.01	30A60R56	30A60R14		R
		Output Torque (lb in.)	2138	30A60LR56	30A60LR14		LR
		Mechanical Output Hp	0.99	30A60H56	30A60H14		HOLLOW
		Output OHL (lbs.)	2300				

Note: Reducers are shipped without a mounting base. Order bolt-on base kit **30BASE** if required.

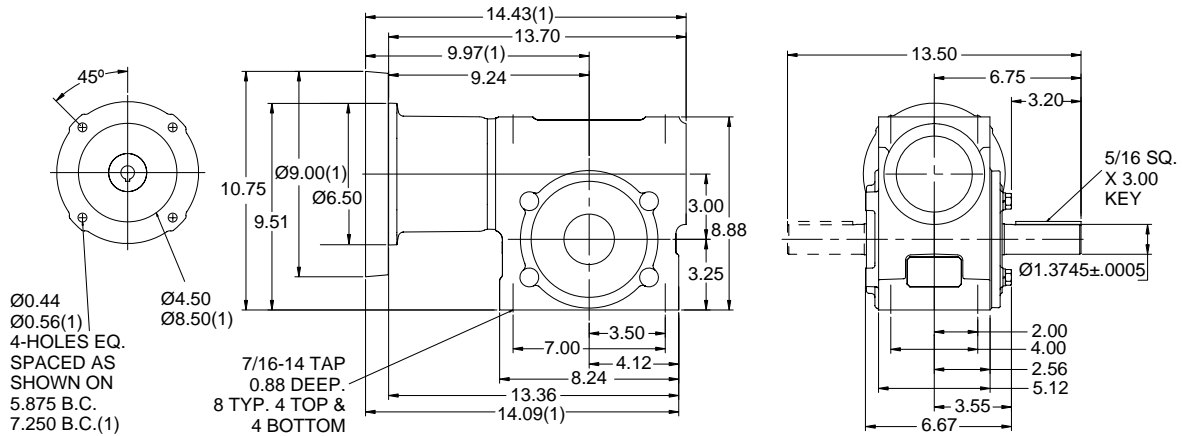
FEATURES/BENEFITS PAGE 3	SPECIFICATION PAGE 6	NOMENCLATURE PAGE 7	MODIFICATION / ACCESSORIES PAGE 78
-----------------------------	-------------------------	------------------------	---------------------------------------



SELECTION/DIMENSIONS

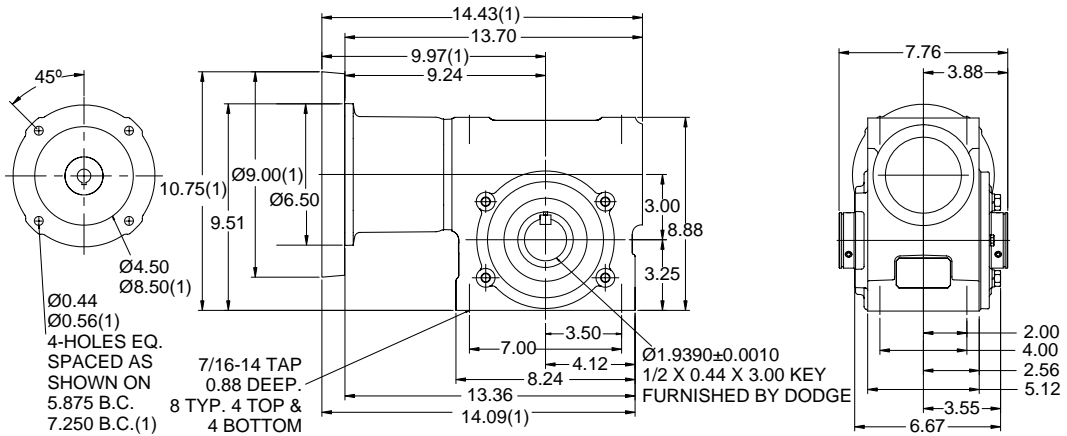
TIGEAR-2 COUPLED INPUT - SIZE 30

SOLID OUTPUT

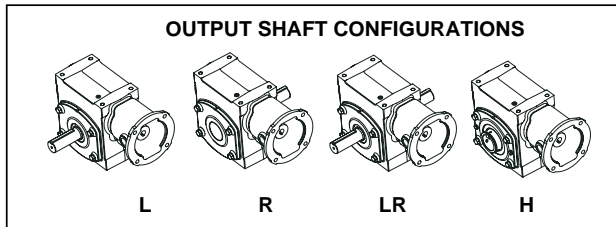


(1) DIMENSIONS APPLY TO 180 FRAME MOTOR ADAPTER

HOLLOW OUTPUT



OUTPUT SHAFT CONFIGURATIONS



FEATURES/BENEFITS PAGE 3	SPECIFICATION PAGE 6	NOMENCLATURE PAGE 7	MODIFICATION / ACCESSORIES PAGE 78
-----------------------------	-------------------------	------------------------	---------------------------------------