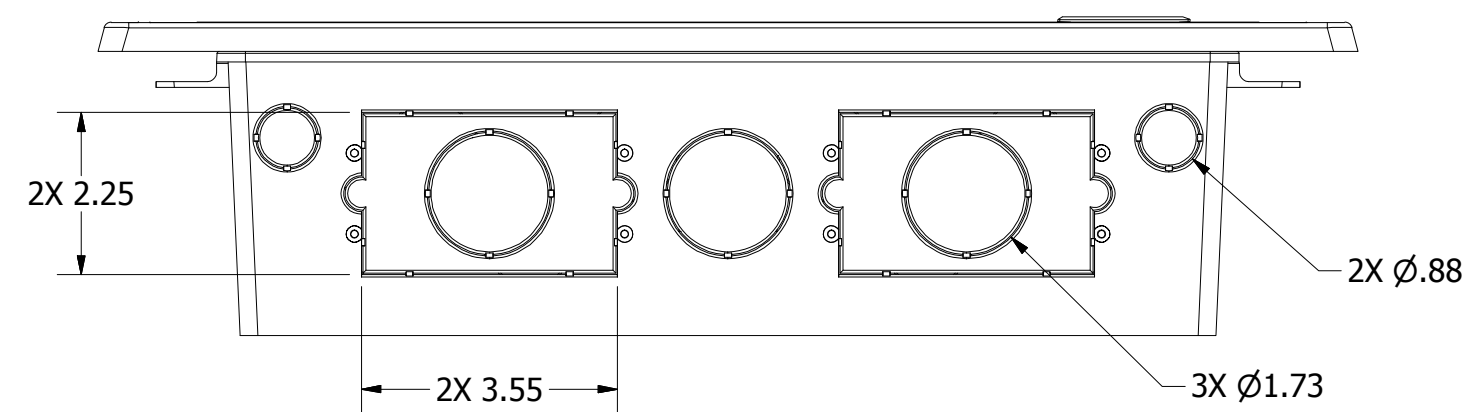
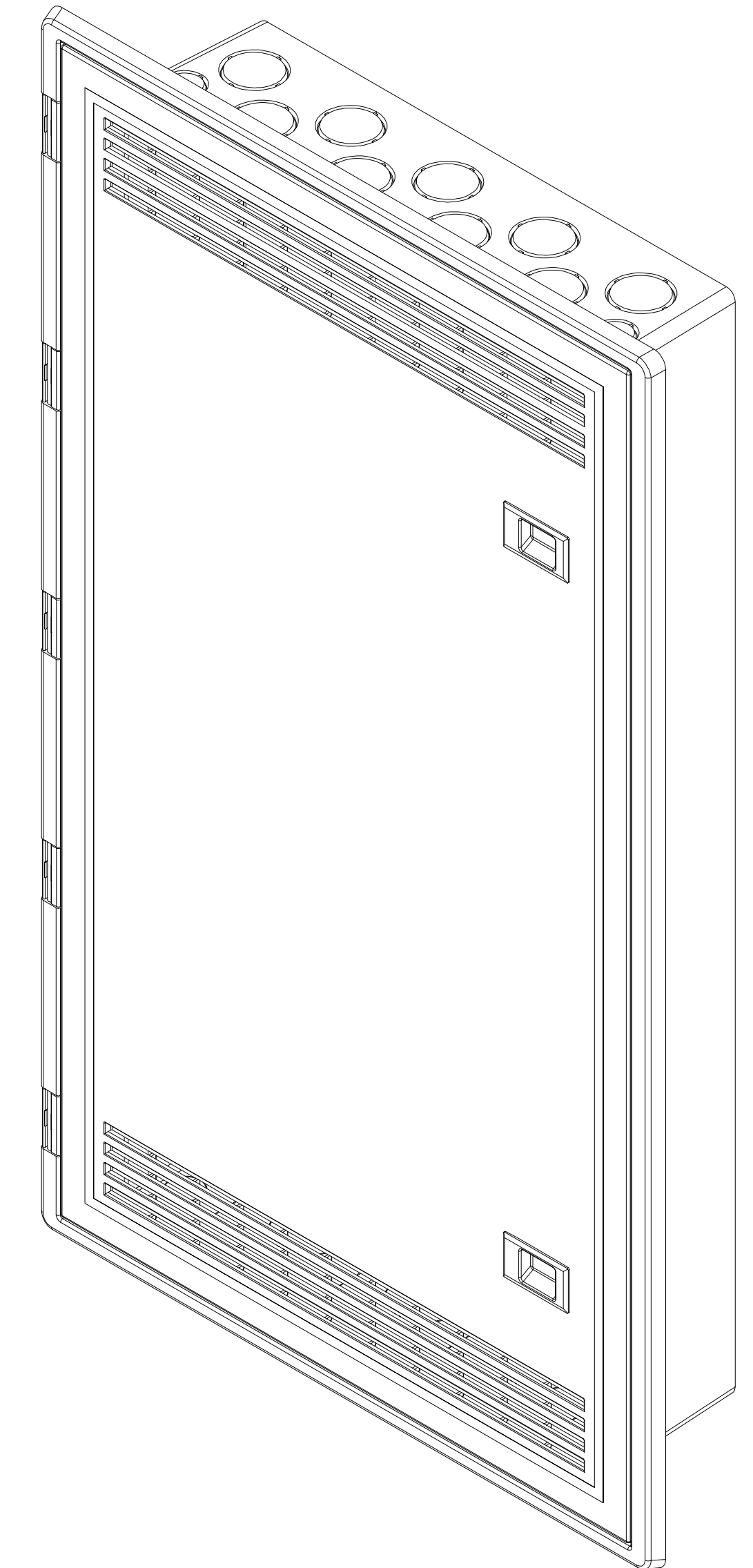
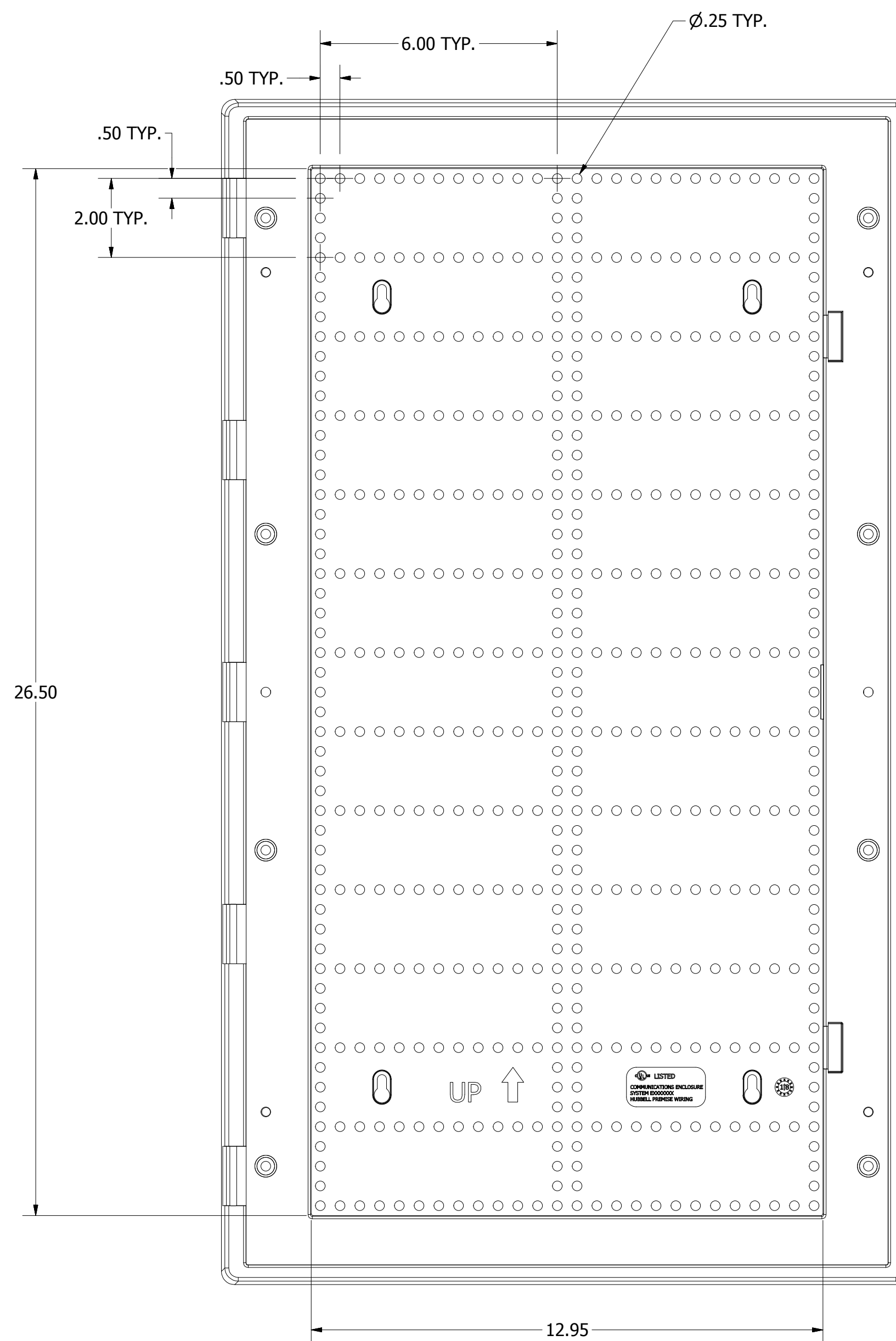
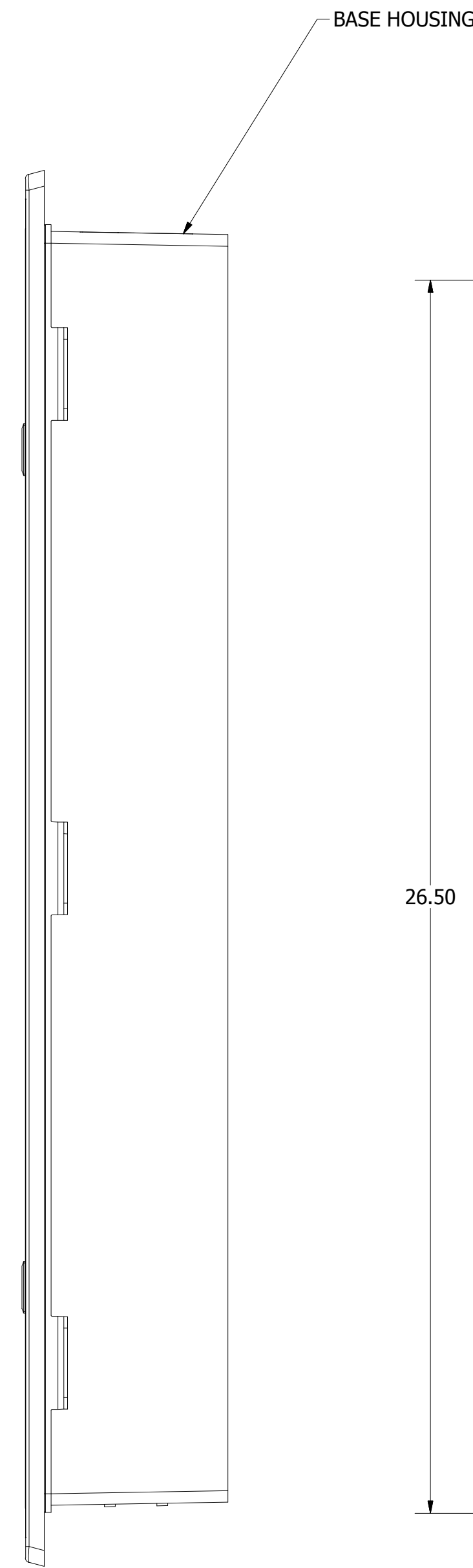
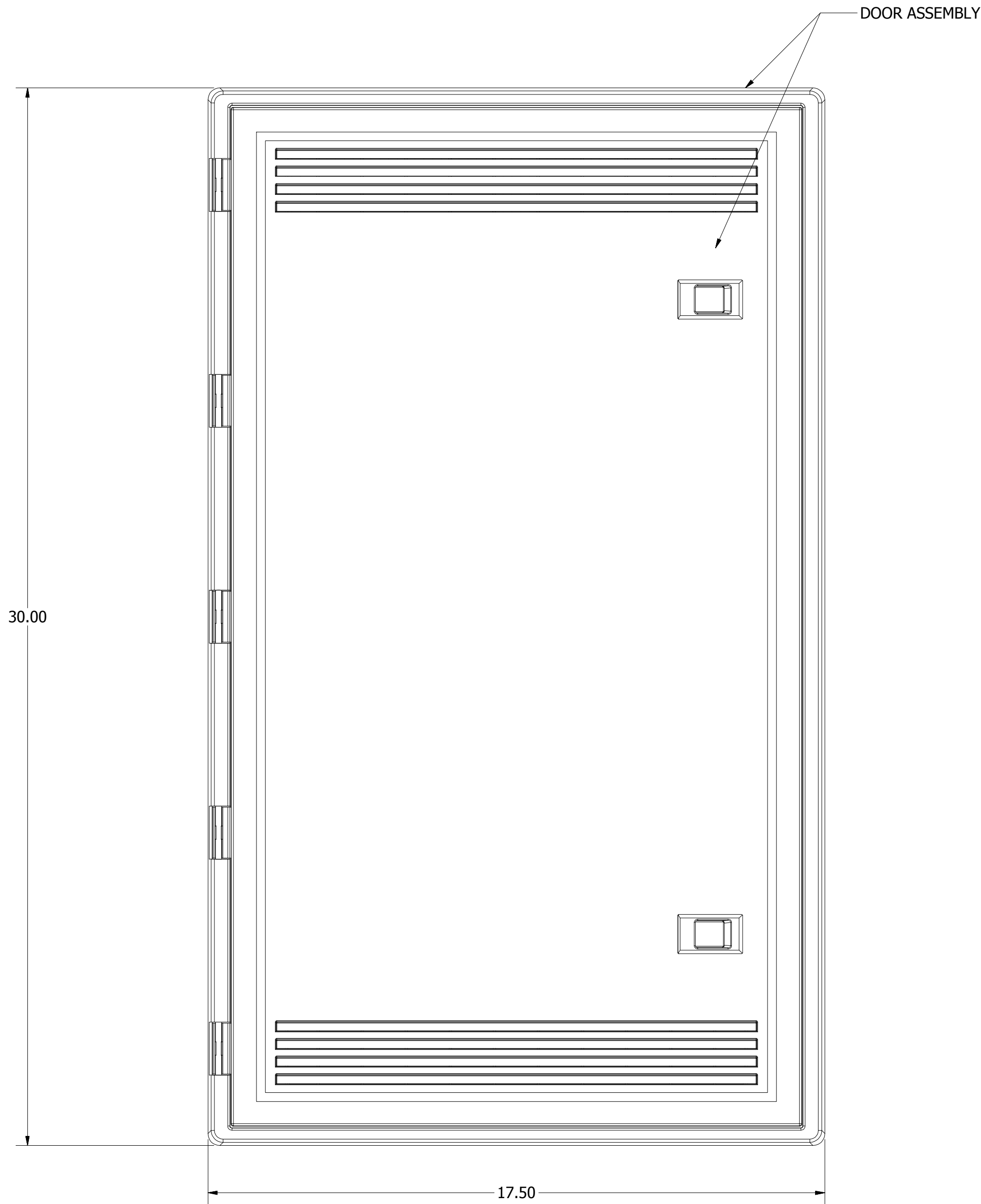
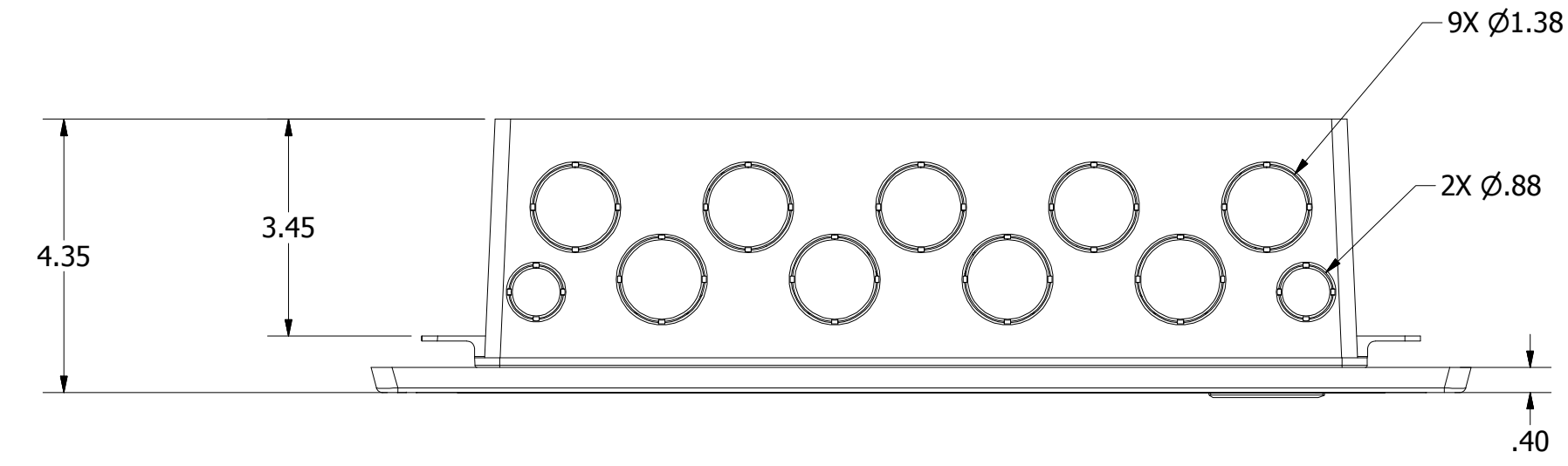


CATALOG	DESCRIPTION
NSOBXP28	28" NETWORK ENCLOSURE, COMPLETE KIT
NSOBXP28B	28" NETWORK ENCLOSURE, BASE HOUSING
NSOBXP28D	28" NETWORK ENCLOSURE, DOOR ASSEMBLY



NOTES:

1. MATERIAL: FLAME RETARDANT ABS PLASTIC.
2. PRODUCT CONTAINS HARDWARE PACK AND INSTRUCTIONS.
3. OPTIONAL LOCK K.O. INCLUDED ON DOOR. USE HUBBELL LOCK P/N FLOCK1.
4. SPECIFICATIONS SUBJECT TO CHANGE WITHOUT NOTICE.

REV.	ECN	DATE	DESCRIPTION	CHG BY	APPD BY
1	22610	5/14/18	INITIAL RELEASE	DPO	MMA

Created on INVENTOR

DIMENSIONING AND TOLERANCE PER ANSI Y14.5M-1982 UNLESS OTHERWISE SPECIFIED, DIMENSIONS ARE IN INCHES (MM). TOLERANCES: XX = ±.01 (.25) .XXX = ±.005 (.127) .XXX = ±.0025 (.0635) ANGLE TOL ±1°

IN ACCEPTING OUR DRAWINGS, BLUEPRINTS, OR SUPPORTING DOCUMENTATION FOR QUOTATION OR OTHER PURPOSES, YOU AGREE NOT TO DISCLOSE TO OTHERS THE IDEAS, INFORMATION, OR DESIGNS SHOWN HEREIN, AND THAT YOU WILL MAKE NO USE OF SAME WITHOUT PERMISSION

PROJECT REFERENCE: NPD-01729
MATERIAL: ABS
DRAWN BY: D.O'CONNOR 5/14/18
CHECKED BY:
APPROVED BY:

HUBBELL Hubbell Premise Wiring
HUBBELL INCORPORATED (Delaware)
23 CLARA DRIVE, SUITE 103 MYSTIC, CT 06355

TITLE:
28 INCH NETWORK ENCLOSURE

SIZE D	DRAWING NO. HWS14754C	REV. 1
SCALE:	SHEET 1 OF 1	