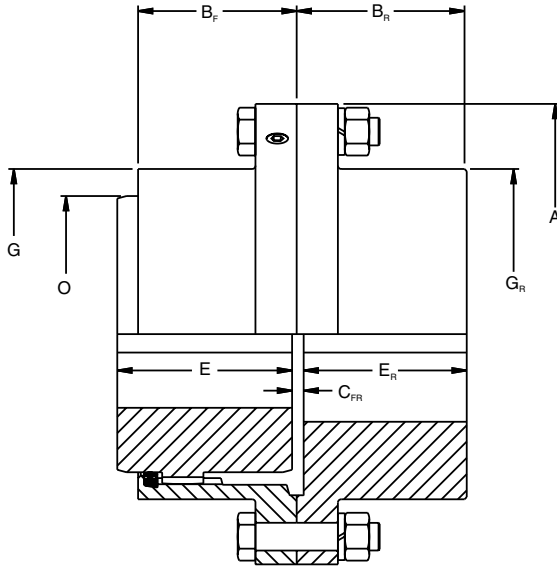


Flex Rigid and Floating Shaft Couplings Size 1-7

When driving and driven shafts are widely separated, an unsupported or floating shaft is used to span the gap. The two couplings required at each end of that shaft consist of one half of a standard coupling bolted to a Rigid Hub, each unit called a Flex-Rigid Coupling. Usually, the rigid hubs are mounted on the driving and driven shafts so that the flex halves on the floating shaft may be replaced without disturbing the connected equipment.



Coupling Type EB (Exposed Bolts) Part Numbers

Coupling Size	Flex Rigid Coupling			Rigid Hub ^②		
	No Bore Part No.	Wt.	Finish Bore ^① Part No.	No Bore Part No.	Wt.	Finish Bore ^① Part No.
1	1W EB FR	10	1W EB FR FB	1 EB RHUB	5	1 EB RHUB FB
1 1/2	1 1/2W EB FR	19	1 1/2W EB FR FB	1 1/2 EB RHUB	9	1 1/2 EB RHUB FB
2	2W EB FR	31	2W EB FR FB	2 EB RHUB	15	2 EB RHUB FB
2 1/2	2 1/2W EB FR	55	2 1/2W EB FR FB	2 1/2 EB RHUB	27	2 1/2 EB RHUB FB
3	3W EB FR	83	3W EB FR FB	3 EB RHUB	40	3 EB RHUB FB
3 1/2	3 1/2W EB FR	126	3 1/2W EB FR FB	3 1/2 EB RHUB	65	3 1/2 EB RHUB FB
4	4W EB FR	184	4W EB FR FB	4 EB RHUB	90	4 EB RHUB FB
4 1/2	4 1/2W EB FR	252	4 1/2W EB FR FB	4 1/2 EB RHUB	124	4 1/2 EB RHUB FB
5	5W EB FR	371	5W EB FR FB	5 EB RHUB	119	5 EB RHUB FB
5 1/2	5 1/2W EB FR	418	5 1/2W EB FR FB	5 1/2 EB RHUB	200	5 1/2 EB RHUB FB
6	6W EB FR	504	6W EB FR FB	6 EB RHUB	250	6 EB RHUB FB
7	7W EB FR	792	7W EB FR FB	7 EB RHUB	370	7 EB RHUB FB

Coupling Type SB (Shrouded Bolts) Part Numbers

Coupling Size	Flex Rigid Coupling			Rigid Hub ^②		
	No Bore Part No.	Wt.	Finish Bore ^① Part No.	No Bore Part No.	Wt.	Finish Bore ^① Part No.
1	1W SB FR	10	1W SB FR FB	1 SB RHUB	5	1 SB RHUB FB
1 1/2	1 1/2W SB FR	19	1 1/2W SB FR FB	1 1/2 SB RHUB	9	1 1/2 SB RHUB FB
2	2W SB FR	31	2W SB FR FB	2 SB RHUB	15	2 SB RHUB FB
2 1/2	2 1/2W SB FR	55	2 1/2W SB FR FB	2 1/2 SB RHUB	27	2 1/2 SB RHUB FB
3	3W SB FR	83	3W SB FR FB	3 SB RHUB	40	3 SB RHUB FB
3 1/2	3 1/2W SB FR	126	3 1/2W SB FR FB	3 1/2 SB RHUB	65	3 1/2 SB RHUB FB
4	4W SB FR	184	4W SB FR FB	4 SB RHUB	90	4 SB RHUB FB
4 1/2	4 1/2W SB FR	252	4 1/2W SB FR FB	4 1/2 SB RHUB	124	4 1/2 SB RHUB FB
5	5W SB FR	371	5W SB FR FB	5 SB RHUB	119	5 SB RHUB FB

- ① All finish bores and keyways per AGMA 9002-A86 commercial standard tolerances.
② Rigid hubs are furnished less fasteners.

Flex-Rigid Coupling Data

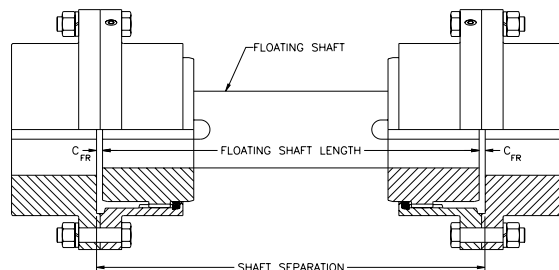
Coupling Size	Maximum Bore with Standard Keyway		Rating HP / 100 RPM	Torque Rating (lb.-in.)	Peak Torque Rating (lb.-in.)	Maximum Speed (RPM) ^②	Dimensions						
	Flex	Rigid					A	B _F	B _R	C _{FR} ^①	E	E _R	G _R
1	1 5/8	2 1/4	10	6300	12600	10000	4 9/16	1 19/32	1 21/32	5/32	1 11/16	1 9/16	3
1 1/2	2 3/16	2 11/16	24	15100	30200	7400	6	1 15/16	1 15/16	5/32	2 1/16	1 27/32	3 13/16
2	2 3/4	3 3/8	50	31500	63000	5900	7	4 5/8	2 3/8	5/32	2 7/16	2 9/32	4 13/16
2 1/2	3 1/4	4	90	56700	113400	5000	8 3/8	5 11/16	3	3/16	3 1/32	2 29/32	5 3/4
3	4	4 3/4	150	94500	189000	4300	9 7/16	6 9/16	3 9/16	3/16	3 19/32	3 15/32	6 3/4
3 1/2	4 3/4	5 1/2	230	145000	290000	3900	11	7 5/8	4 1/8	7/32	4 3/16	4 1/32	7 3/4
4	5 3/8	6 3/8	350	221000	442000	3500	12 1/2	8 5/8	4 5/8	5/16	4 3/4	4 7/16	9
4 1/2	6	7 1/4	480	300000	600000	3200	13 5/8	9 5/8	5 1/4	11/32	5 3/8	5 1/16	10 1/8
5	6 3/4	8 1/2	650	410000	820000	2900	15 5/16	10 13/16	5 7/8	11/32	6 1/8	5 11/16	11 3/8
5 1/2*	7 1/2	8	850	536000	1072000	2700	16 3/4	11 5/8	7 5/32	11/32	6 5/8	6 31/32	10 3/4
6*	8 1/4	8 3/4	1100	693000	1386000	2500	18	13 1/4	7 21/32	11/32	7 3/8	7 15/32	11 1/2
7*	9 1/4	10	1600	1010000	2020000	2200	20 3/4	14 3/4	9	7/16	8 11/16	8 3/4	13 3/8

* Sizes 5 1/2, 6 and 7 are only available with exposed bolts. Type EB exposed bolts are standard.

① Floating shaft length is equal to the shaft separation minus 2 times the C_{FR} dimension.

② Max. speed is based on flange stress limits and does not consider lateral critical speed considerations for floating shaft applications.

FLOATING SHAFT ASSEMBLY



Ordering Instructions: When ordering floating shaft couplings, be sure to include hp and rpm, shaft separation, and equipment shaft sizes. Applications with very large shaft separations and/or high speeds may require tubular floating shafts due to lateral critical speed concerns.

Important: Care must be exercised in proper selection of any shaft coupling. The Users must assure themselves that the design of the shaft to coupling hub connection is adequate for the duty intended.