

## SELECTION/DIMENSIONS

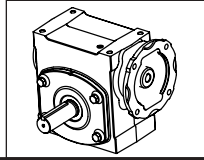
### TIGEAR-2 QUILL INPUT - SIZE 26

RATIO	OUTPUT RPM	RATING DATA 1750 INPUT RPM		PART NUMBER			SHAFT POSITION
				56C	140TC	180TC	
5	350	Mechanical Input Hp	7.37		26Q05L14	26Q05L18	L
		Thermal Input Hp	8.79		26Q05R14	26Q05R18	R
		Output Torque (lb in.)	1247		26Q05LR14	26Q05LR18	LR
		Mechanical Output Hp	6.93		26Q05H14	26Q05H18	HOLLOW
		Output OHL (lbs.)	1330		26Q05HA14	26Q05HA18	HOLLOW ALT.
7.5	233	Mechanical Input Hp	5.92	26Q07L56	26Q07L14	26Q07L18	L
		Thermal Input Hp	6.89	26Q07R56	26Q07R14	26Q07R18	R
		Output Torque (lb in.)	1458	26Q07LR56	26Q07LR14	26Q07LR18	LR
		Mechanical Output Hp	5.47	26Q07H56	26Q07H14	26Q07H18	HOLLOW
		Output OHL (lbs.)	1520	26Q07HA56	26Q07HA14	26Q07HA18	HOLLOW ALT.
10	175	Mechanical Input Hp	4.83	26Q10L56	26Q10L14	26Q10L18	L
		Thermal Input Hp	5.61	26Q10R56	26Q10R14	26Q10R18	R
		Output Torque (lb in.)	1576	26Q10LR56	26Q10LR14	26Q10LR18	LR
		Mechanical Output Hp	4.37	26Q10H56	26Q10H14	26Q10H18	HOLLOW
		Output OHL (lbs.)	1610	26Q10HA56	26Q10HA14	26Q10HA18	HOLLOW ALT.
15	117	Mechanical Input Hp	3.62	26Q15L56	26Q15L14	26Q15L18	L
		Thermal Input Hp	4.15	26Q15R56	26Q15R14	26Q15R18	R
		Output Torque (lb in.)	1708	26Q15LR56	26Q15LR14	26Q15LR18	LR
		Mechanical Output Hp	3.16	26Q15H56	26Q15H14	26Q15H18	HOLLOW
		Output OHL (lbs.)	1610	26Q15HA56	26Q15HA14	26Q15HA18	HOLLOW ALT.
20	88	Mechanical Input Hp	2.71	26Q20L56	26Q20L14		L
		Thermal Input Hp	3.71	26Q20R56	26Q20R14		R
		Output Torque (lb in.)	1673	26Q20LR56	26Q20LR14		LR
		Mechanical Output Hp	2.32	26Q20H56	26Q20H14		HOLLOW
		Output OHL (lbs.)	1610	26Q20HA56	26Q20HA14		HOLLOW ALT.
25	70	Mechanical Input Hp	2.26	26Q25L56	26Q25L14		L
		Thermal Input Hp	3.00	26Q25R56	26Q25R14		R
		Output Torque (lb in.)	1677	26Q25LR56	26Q25LR14		LR
		Mechanical Output Hp	1.86	26Q25H56	26Q25H14		HOLLOW
		Output OHL (lbs.)	1610	26Q25HA56	26Q25HA14		HOLLOW ALT.
30	58	Mechanical Input Hp	2.00	26Q30L56	26Q30L14		L
		Thermal Input Hp	2.79	26Q30R56	26Q30R14		R
		Output Torque (lb in.)	1705	26Q30LR56	26Q30LR14		LR
		Mechanical Output Hp	1.58	26Q30H56	26Q30H14		HOLLOW
		Output OHL (lbs.)	1610	26Q30HA56	26Q30HA14		HOLLOW ALT.
40	44	Mechanical Input Hp	1.55	26Q40L56	26Q40L14		L
		Thermal Input Hp	2.14	26Q40R56	26Q40R14		R
		Output Torque (lb in.)	1685	26Q40LR56	26Q40LR14		LR
		Mechanical Output Hp	1.17	26Q40H56	26Q40H14		HOLLOW
		Output OHL (lbs.)	1610	26Q40HA56	26Q40HA14		HOLLOW ALT.
50	35	Mechanical Input Hp	1.32	26Q50L56	26Q50L14		L
		Thermal Input Hp	1.76	26Q50R56	26Q50R14		R
		Output Torque (lb in.)	1662	26Q50LR56	26Q50LR14		LR
		Mechanical Output Hp	0.92	26Q50H56	26Q50H14		HOLLOW
		Output OHL (lbs.)	1610	26Q50HA56	26Q50HA14		HOLLOW ALT.
60	29	Mechanical Input Hp	1.08	26Q60L56	26Q60L14		L
		Thermal Input Hp	1.57	26Q60R56	26Q60R14		R
		Output Torque (lb in.)	1547	26Q60LR56	26Q60LR14		LR
		Mechanical Output Hp	0.72	26Q60H56	26Q60H14		HOLLOW
		Output OHL (lbs.)	1610	26Q60HA56	26Q60HA14		HOLLOW ALT.

Note: Reducers are shipped without a mounting base. Order bolt-on base kit **26BASE** if required.

Refer to page 84 for hollow bore bushing selections

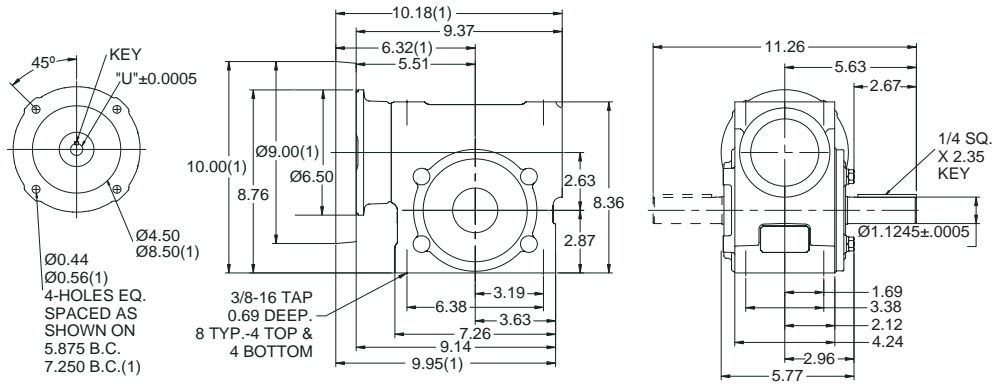
FEATURES/BENEFITS PAGE 3	SPECIFICATION PAGE 6	NOMENCLATURE PAGE 7	MODIFICATION / ACCESSORIES PAGE 78
-----------------------------	-------------------------	------------------------	---------------------------------------



# SELECTION/DIMENSIONS

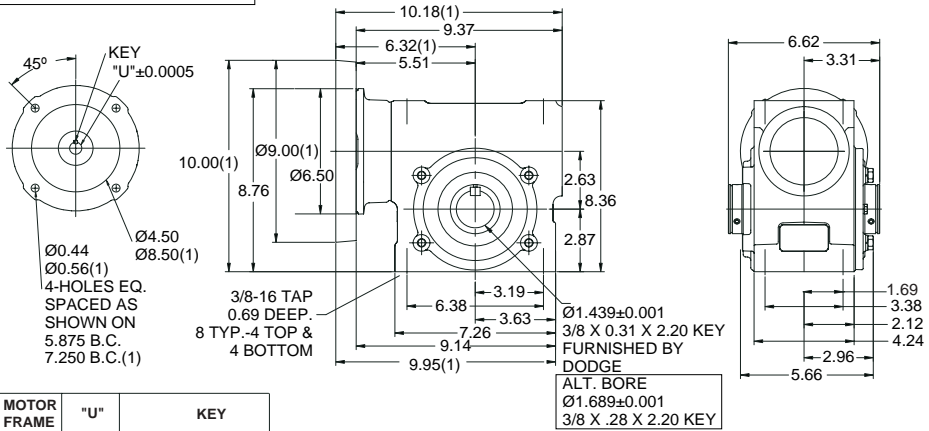
## TIGEAR-2 QUILL INPUT - SIZE 26

### SOLID OUTPUT



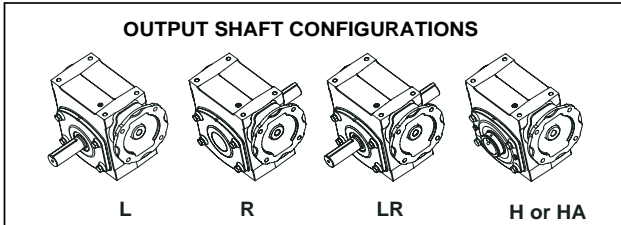
(1) DIMENSIONS APPLY TO 180 FRAME MOTOR ADAPTER

### HOLLOW OUTPUT

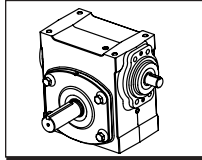


MOTOR FRAME	"U"	KEY
48Y 56C	.626	3/16 SQ. x 1.50 KEY
140TC 160ATC	.876	3/16 SQ x 1.50 KEY
180TC 180ATC	1.126	1/4 SQ x 2.00 KEY

### OUTPUT SHAFT CONFIGURATIONS



FEATURES/BENEFITS PAGE 3	SPECIFICATION PAGE 6	NOMENCLATURE PAGE 7	MODIFICATION / ACCESSORIES PAGE 78
-----------------------------	-------------------------	------------------------	---------------------------------------



## SELECTION/DIMENSIONS

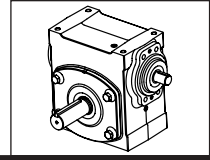
### TIGEAR-2 SEPARATE INPUT - SIZE 26

RATIO	OUTPUT RPM	RATING DATA 1750 INPUT RPM		SEPARATE REDUCER	SHAFT POSITION	OPTIONAL MOTOR ADAPTER KIT		
						56C	140TC	180TC
5	350	Mechanical Input Hp	7.37	26S05L	L	2330MTR14	2330MTR18	
		Thermal Input Hp	8.79	26S05R	R			
		Output Torque (lb in.)	1247	26S05LR	LR			
		Mechanical Output Hp	6.93	26S05H	HOLLOW			
		Output OHL (lbs.)	1330	26S05HA	HOLLOW ALT.			
7.5	233	Mechanical Input Hp	5.92	26S07L	L	2330MTR56	2330MTR14	2330MTR18
		Thermal Input Hp	6.89	26S07R	R			
		Output Torque (lb in.)	1458	26S07LR	LR			
		Mechanical Output Hp	5.47	26S07H	HOLLOW			
		Output OHL (lbs.)	1520	26S07HA	HOLLOW ALT.			
10	175	Mechanical Input Hp	4.83	26S10L	L	2330MTR56	2330MTR14	2330MTR18
		Thermal Input Hp	5.61	26S10R	R			
		Output Torque (lb in.)	1576	26S10LR	LR			
		Mechanical Output Hp	4.37	26S10H	HOLLOW			
		Output OHL (lbs.)	1610	26S10HA	HOLLOW ALT.			
15	117	Mechanical Input Hp	3.62	26S15L	L	2330MTR56	2330MTR14	2330MTR18
		Thermal Input Hp	4.15	26S15R	R			
		Output Torque (lb in.)	1708	26S15LR	LR			
		Mechanical Output Hp	3.16	26S15H	HOLLOW			
		Output OHL (lbs.)	1610	26S15HA	HOLLOW ALT.			
20	88	Mechanical Input Hp	2.71	26S20L	L	2330MTR56	2330MTR14	
		Thermal Input Hp	3.71	26S20R	R			
		Output Torque (lb in.)	1673	26S20LR	LR			
		Mechanical Output Hp	2.32	26S20H	HOLLOW			
		Output OHL (lbs.)	1610	26S20HA	HOLLOW ALT.			
25	70	Mechanical Input Hp	2.26	26S25L	L	2330MTR56	2330MTR14	
		Thermal Input Hp	3.00	26S25R	R			
		Output Torque (lb in.)	1677	26S25LR	LR			
		Mechanical Output Hp	1.86	26S25H	HOLLOW			
		Output OHL (lbs.)	1610	26S25HA	HOLLOW ALT.			
30	58	Mechanical Input Hp	2.00	26S30L	L	2330MTR56	2330MTR14	
		Thermal Input Hp	2.79	26S30R	R			
		Output Torque (lb in.)	1705	26S30LR	LR			
		Mechanical Output Hp	1.58	26S30H	HOLLOW			
		Output OHL (lbs.)	1610	26S30HA	HOLLOW ALT.			
40	44	Mechanical Input Hp	1.55	26S40L	L	2330MTR56	2330MTR14	
		Thermal Input Hp	2.14	26S40R	R			
		Output Torque (lb in.)	1685	26S40LR	LR			
		Mechanical Output Hp	1.17	26S40H	HOLLOW			
		Output OHL (lbs.)	1610	26S40HA	HOLLOW ALT.			
50	35	Mechanical Input Hp	1.32	26S50L	L	2330MTR56	2330MTR14	
		Thermal Input Hp	1.76	26S50R	R			
		Output Torque (lb in.)	1662	26S50LR	LR			
		Mechanical Output Hp	0.92	26S50H	HOLLOW			
		Output OHL (lbs.)	1610	26S50HA	HOLLOW ALT.			
60	29	Mechanical Input Hp	1.08	26S60L	L	2330MTR56	2330MTR14	
		Thermal Input Hp	1.57	26S60R	R			
		Output Torque (lb in.)	1547	26S60LR	LR			
		Mechanical Output Hp	0.72	26S60H	HOLLOW			
		Output OHL (lbs.)	1610	26S60HA	HOLLOW ALT.			
<b>All Ratios</b>		Input OHL (lbs)	250	<b>One diameter from seal surface</b>				

Note: TIGEAR-2 separate reducers cannot be used with the old Adaptable TIGEAR motor adapter kits.

Refer to page 84 for hollow bore bushing selections

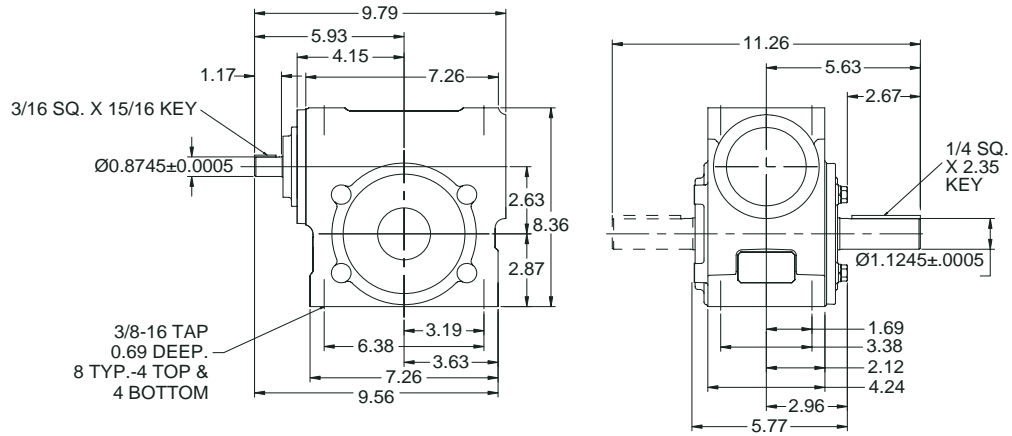
FEATURES/BENEFITS PAGE 3	SPECIFICATION PAGE 6	NOMENCLATURE PAGE 7	MODIFICATION / ACCESSORIES PAGE 78
-----------------------------	-------------------------	------------------------	---------------------------------------



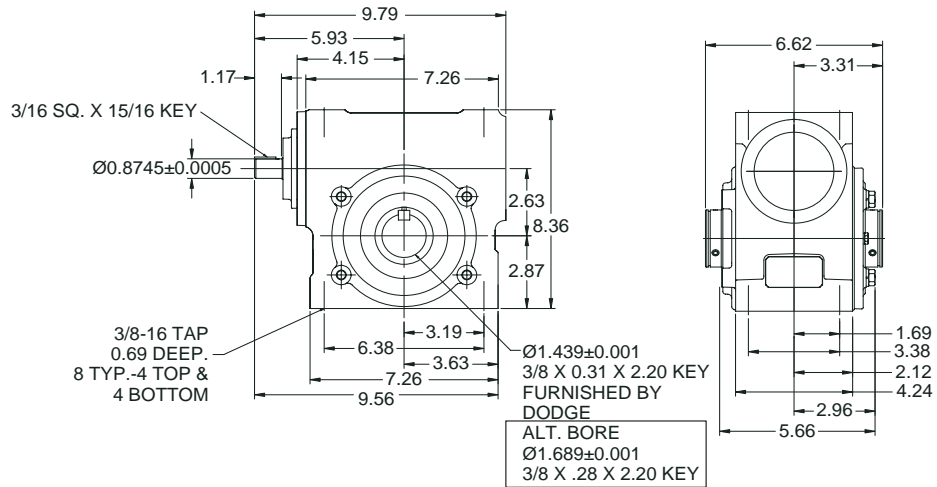
# SELECTION/DIMENSIONS

## TIGEAR-2 SEPARATE INPUT - SIZE 26

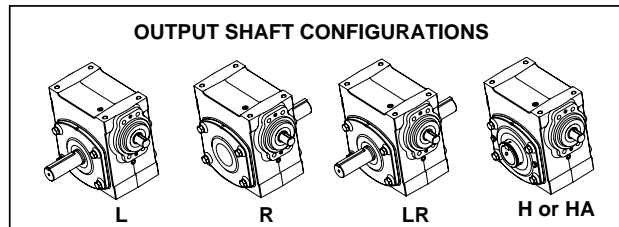
### SOLID OUTPUT



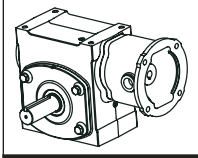
### HOLLOW OUTPUT



### OUTPUT SHAFT CONFIGURATIONS



FEATURES/BENEFITS PAGE 3	SPECIFICATION PAGE 6	NOMENCLATURE PAGE 7	MODIFICATION / ACCESSORIES PAGE 78
-----------------------------	-------------------------	------------------------	---------------------------------------



## SELECTION/DIMENSIONS

### TIGEAR-2 COUPLED INPUT - ADAPTER ASSEMBLY - SIZE 26

Coupled input units include a Separate reducer and motor adapter kit assembled together.

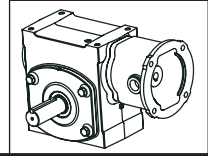
These assemblies are normally "made to order" with a 5 day standard lead time.

RATIO	OUTPUT RPM	RATING DATA 1750 INPUT RPM		PART NUMBER			SHAFT
				56C	140TC	180TC	POSITION
5	350	Mechanical Input Hp	7.37		26A05L14	26A05L18	L
		Thermal Input Hp	8.79		26A05R14	26A05R18	R
		Output Torque (lb in.)	1247		26A05LR14	26A05LR18	LR
		Mechanical Output Hp	6.93		26A05H14	26A05H18	HOLLOW
		Output OHL (lbs.)	1330		26A05HA14	26A05HA18	HOLLOW ALT.
7.5	233	Mechanical Input Hp	5.92	26A07L56	26A07L14	26A07L18	L
		Thermal Input Hp	6.89	26A07R56	26A07R14	26A07R18	R
		Output Torque (lb in.)	1458	26A07LR56	26A07LR14	26A07LR18	LR
		Mechanical Output Hp	5.47	26A07H56	26A07H14	26A07H18	HOLLOW
		Output OHL (lbs.)	1520	26A07HA56	26A07HA14	26A07HA18	HOLLOW ALT.
10	175	Mechanical Input Hp	4.83	26A10L56	26A10L14	26A10L18	L
		Thermal Input Hp	5.61	26A10R56	26A10R14	26A10R18	R
		Output Torque (lb in.)	1576	26A10LR56	26A10LR14	26A10LR18	LR
		Mechanical Output Hp	4.37	26A10H56	26A10H14	26A10H18	HOLLOW
		Output OHL (lbs.)	1610	26A10HA56	26A10HA14	26A10HA18	HOLLOW ALT.
15	117	Mechanical Input Hp	3.62	26A15L56	26A15L14	26A15L18	L
		Thermal Input Hp	4.15	26A15R56	26A15R14	26A15R18	R
		Output Torque (lb in.)	1708	26A15LR56	26A15LR14	26A15LR18	LR
		Mechanical Output Hp	3.16	26A15H56	26A15H14	26A15H18	HOLLOW
		Output OHL (lbs.)	1610	26A15HA56	26A15HA14	26A15HA18	HOLLOW ALT.
20	88	Mechanical Input Hp	2.71	26A20L56	26A20L14		L
		Thermal Input Hp	3.71	26A20R56	26A20R14		R
		Output Torque (lb in.)	1673	26A20LR56	26A20LR14		LR
		Mechanical Output Hp	2.32	26A20H56	26A20H14		HOLLOW
		Output OHL (lbs.)	1610	26A20HA56	26A20HA14		HOLLOW ALT.
25	70	Mechanical Input Hp	2.26	26A25L56	26A25L14		L
		Thermal Input Hp	3.00	26A25R56	26A25R14		R
		Output Torque (lb in.)	1677	26A25LR56	26A25LR14		LR
		Mechanical Output Hp	1.86	26A25H56	26A25H14		HOLLOW
		Output OHL (lbs.)	1610	26A25HA56	26A25HA14		HOLLOW ALT.
30	58	Mechanical Input Hp	2.00	26A30L56	26A30L14		L
		Thermal Input Hp	2.79	26A30R56	26A30R14		R
		Output Torque (lb in.)	1705	26A30LR56	26A30LR14		LR
		Mechanical Output Hp	1.58	26A30H56	26A30H14		HOLLOW
		Output OHL (lbs.)	1610	26A30HA56	26A30HA14		HOLLOW ALT.
40	44	Mechanical Input Hp	1.55	26A40L56	26A40L14		L
		Thermal Input Hp	2.14	26A40R56	26A40R14		R
		Output Torque (lb in.)	1685	26A40LR56	26A40LR14		LR
		Mechanical Output Hp	1.17	26A40H56	26A40H14		HOLLOW
		Output OHL (lbs.)	1610	26A40HA56	26A40HA14		HOLLOW ALT.
50	35	Mechanical Input Hp	1.32	26A50L56	26A50L14		L
		Thermal Input Hp	1.76	26A50R56	26A50R14		R
		Output Torque (lb in.)	1662	26A50LR56	26A50LR14		LR
		Mechanical Output Hp	0.92	26A50H56	26A50H14		HOLLOW
		Output OHL (lbs.)	1610	26A50HA56	26A50HA14		HOLLOW ALT.
60	29	Mechanical Input Hp	1.08	26A60L56	26A60L14		L
		Thermal Input Hp	1.57	26A60R56	26A60R14		R
		Output Torque (lb in.)	1547	26A60LR56	26A60LR14		LR
		Mechanical Output Hp	0.72	26A60H56	26A60H14		HOLLOW
		Output OHL (lbs.)	1610	26A60HA56	26A60HA14		HOLLOW ALT.

Note: Reducers are shipped without a mounting base. Order bolt-on base kit 26BASE if required.

Refer to page 84 for hollow bore bushing selections

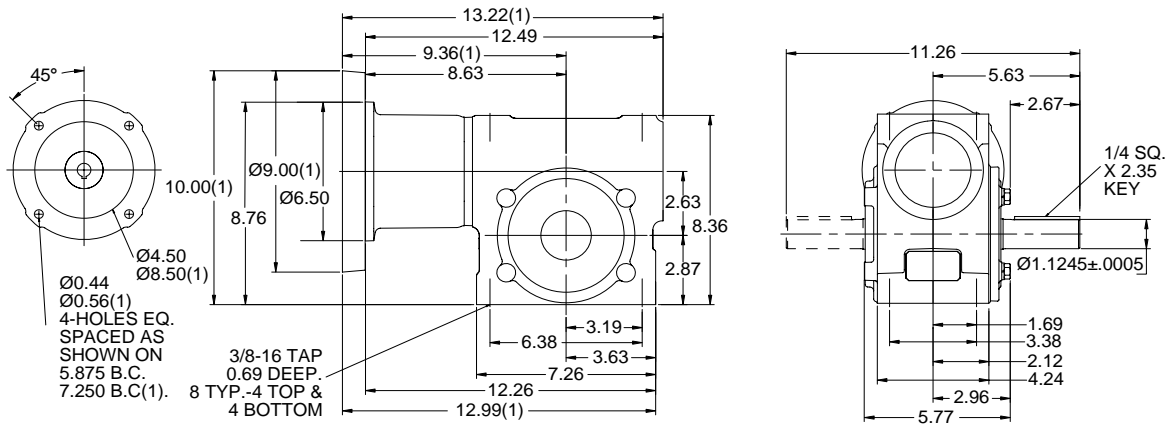
FEATURES/BENEFITS PAGE 3	SPECIFICATION PAGE 6	NOMENCLATURE PAGE 7	MODIFICATION / ACCESSORIES PAGE 78
-----------------------------	-------------------------	------------------------	---------------------------------------



# SELECTION/DIMENSIONS

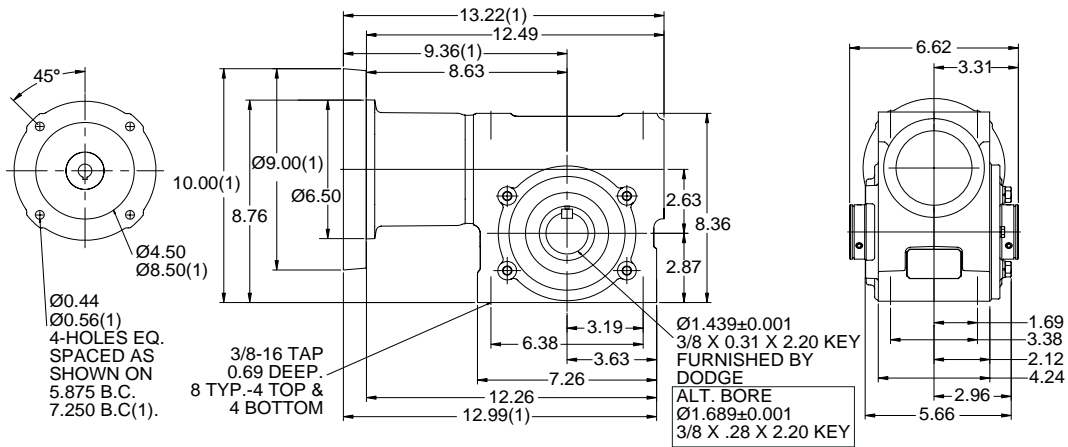
## TIGEAR-2 COUPLED INPUT - SIZE 26

### SOLID OUTPUT

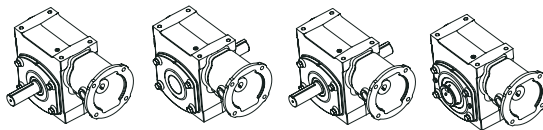


(1) DIMENSIONS APPLY TO 180 FRAME MOTOR ADAPTER

### HOLLOW OUTPUT



### OUTPUT SHAFT CONFIGURATIONS



L

R

LR

H or HA

FEATURES/BENEFITS PAGE 3	SPECIFICATION PAGE 6	NOMENCLATURE PAGE 7	MODIFICATION / ACCESSORIES PAGE 78
-----------------------------	-------------------------	------------------------	---------------------------------------