

# PRODUCT INFORMATION PACKET



Model No: C213T17WB6A

Catalog No: 140819.00

..7

1/2HP..1765RPM.213.TEFC.230/460V.3PH.60HZ.CONT.40C.1.25SF.RIGID.C213T17WB6A.....WASHGUAR  
D.NOT....5.6KW...

General Purpose



Regal and Leeson are trademarks of Regal Beloit Corporation or one of its affiliated companies.

©2018 Regal Beloit Corporation, All Rights Reserved. MC017097E



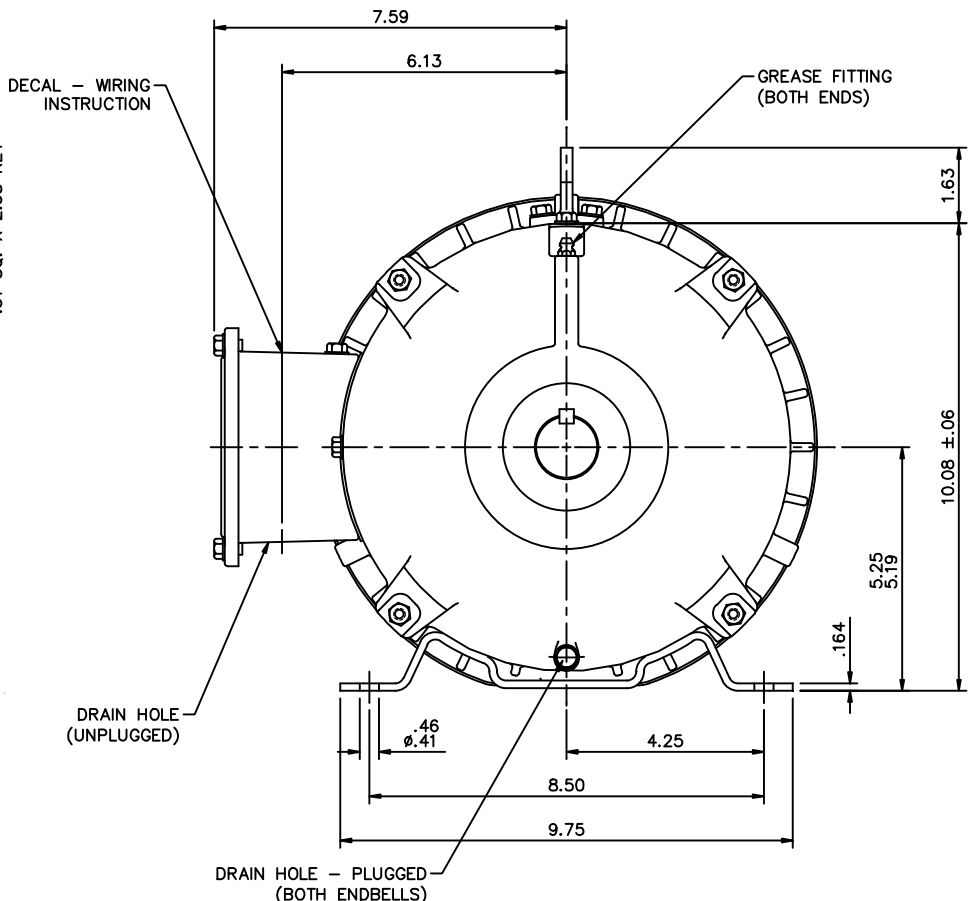
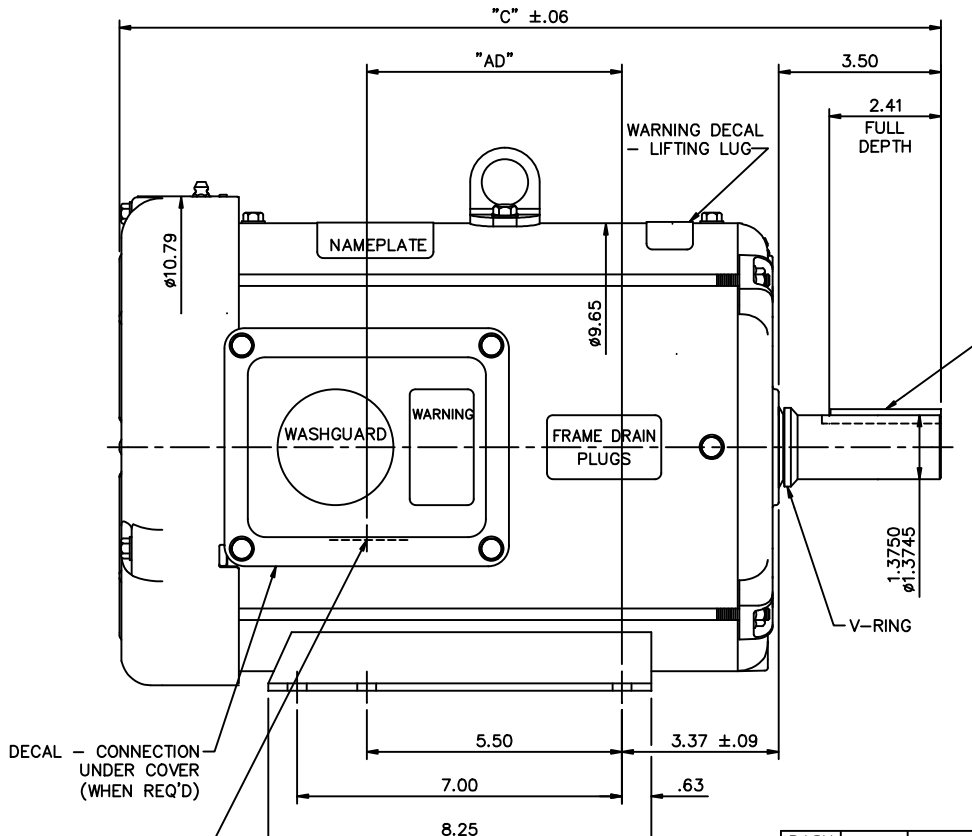


### Nameplate Specifications

Output HP	7.50 Hp	Output KW	5.6 kW
Frequency	60 Hz	Voltage	230/460 V
Current	22.4-21.6/10.8 A	Speed	1765 rpm
Service Factor	1.25	Phase	3
Efficiency	91.7 %	Duty	Continuous
Insulation Class	F	Design Code	B
KVA Code	J	Frame	213T
Enclosure	Totally Enclosed Fan Cooled	Overload Protector	No
Ambient Temperature	40 °C	Drive End Bearing Size	6209
Opp Drive End Bearing Size	6206	UL	Recognized
CSA	Y	CE	Y
IP Code	55		

### Technical Specifications

Electrical Type	Squirrel Cage Induction Run	Starting Method	Across The Line
Poles	4	Rotation	Reversible
Mounting	Rigid base	Motor Orientation	HORIZONTAL
Drive End Bearing	BALL	Opp Drive End Bearing	BALL
Frame Material	Rolled Steel	Shaft Type	T
Overall Length	18.71 in	Frame Length	12.00 in
Shaft Diameter	1.375 in	Shaft Extension	3.38 in
Assembly/Box Mounting	F1 ONLY		
Outline Drawing	037620-1200	Connection Diagram	005010.01



DECAL - CONNECTION UNDER COVER (WHEN REQ'D)

(1) 3/4-14 NPT CONDUIT HOLE (PLUGGED)

DASH NO.	"C"	"AD"
1050	17.21	5.00
1100	17.71	5.50
1150	18.21	6.00
1200	18.71	6.50
1250	19.21	7.00
1300	19.71	7.50
1350	20.21	8.00
1400	20.71	8.50

**WASHGUARD DUTY MOTOR**  
SPECIAL FEATURES:

- 1) BUNA-N GASKETS THROUGHOUT
- 2) SHAFT SEALS - BOTH ENDS OF MOTOR
- 3) V-RING AT SHAFT END OF MOTOR
- 4) STAINLESS STEEL SHAFT, NAMEPLATE & HARDWARE
- 5) FDA APPROVED EPOXY PAINT
- 6) PLUGGED DRAIN HOLES IN FRAME AT 3:00, 9:00 & 12:00
- 7) DRAIN HOLES IN CONDUIT BOX, PLUGGED IN TOP HOLE
- 8) DRAIN HOLES IN BOTH ENDBELLS AT 6:00

		TOLERANCES UNLESS SPECIFIED		LEESON ELECTRIC MOTORS GEARMOTORS AND DRIVES		DRAWN RDW 4/6/05				
		DEC.	INCHES			CHK				
02	UPDATED PER ISAAC 10-0580	LST	5/11/10	.X	±.1	APPD SW 4/6/05				
01	ADDED: WARNING DECAL - LIFTING LUG & WARNING DECAL - WITH/OUT PROTECTOR; REMOVED: DECAL - WIRING INSTRUCTION, NAMEPLATE -was- TV SCREEN STYLE(004142.01)	KVN	4/13/2010	.XX	±.03	SCALE 3=8				
				.XXX	±.005	REF				
				.XXXX	±.0005	FMF				
NO.	REVISION	BY & DATE	CHK	ANG	±1/2"	FINISH	PREV			
THIS DRAWING IN DESIGN AND DETAIL IS OUR PROPERTY AND MUST NOT BE USED EXCEPT IN CONNECTION WITH OUR WORK ALL RIGHTS OF DESIGN AND INVENTION ARE RESERVED THIS IS AN ELECTRONICALLY GENERATED DOCUMENT - DO NOT SCALE THIS PRINT				RFP	4/6/05	CAD FILE	037620	SIZE B	DRAWING NO. 037620	REV. 02

005010-01

VIEW FROM OUTSIDE OF MOTOR AT SWITCH END.



VOLTAGE	L1	L2	L3	JOIN & INSULATE
HIGH	T1	T2	T3	(T4,T7) (T5,T8) (T6,T9)
LOW	T1,T7	T2,T8	T3,T9	T4,T5,T6

				TOLERANCES UNLESS SPECIFIED		<b>Regal Beloit America, Inc.</b>		DRAWN RDW 04/12/02			
				DEC.	INCHES			CHK			
				.X	±.1			APPD			
				.XX	±.01			SCALE 1=1			
				.XXX	±.005	TITLE		REF FIG.2-51			
A	UPDATED TO REGAL LOGO			SAJ	06/26/15	AJY	.XXXX	±.0005	MAT'L.	DECAL - 004014	FMF
NO.	REVISION			BY & DATE	CHK	ANG	±1/2"	FINISH	DRAWING NO.		REV.
THIS DRAWING IN DESIGN AND DETAIL IS OUR PROPERTY AND MUST NOT BE USED EXCEPT IN CONNECTION WITH OUR WORK ALL RIGHTS OF DESIGN AND INVENTION ARE RESERVED THIS IS AN ELECTRONICALLY GENERATED DOCUMENT - DO NOT SCALE THIS PRINT				RFP	04/12/02	CAD FILE		00501001	A	005010-01	A
				DIST	BRF-NLV						



Motor Load Data						LR		
Load	0%	25%	50%	75%	100%	115%	125%	LR
Current (Amps)	6.0	6.5	7.6	9.0	10.7	11.5	12.7	73.0
Torque (ft-lb)	0.00	5.5	11.0	16.6	22.3	24.5	27.9	50.0
RPM	1800	1794	1787	1780	1770	1768	1765	0
Efficiency (%)		81.5	88.4	90.4	91.7	91.5	90.9	
P.F. (%)	6.2	33.2	52.5	64.8	72.0	74.0	76.4	0.0

Motor Speed Data					Information Block																						
Speed (RPM)	LR	Pull-Up	BD	Rated	Idle	HP	Sync. RPM	Frame	Enclosure	Construction	Voltagge	Frequency	Design	LR Code letter	Service Factor	Temp Rise @ FL	Duty	Ambient	Elevation	Rotor/Shaft wk <sup>2</sup>	Ref Wdg	Sound Pressure @ 1M	VFD Rating	Outline Dwg	Conn. Diag	Additional Specifications:	
	0	900	1700	1770	1800	7.5	1800	210	TEFC	TFW	230/460#190/380	60	B	J	1.15	43	CONT	40	1,000	0.97	T9495 FR	60	NONE	037620-1200	005010.01		
Current (Amps)	73.0	65.0	48.0	10.7	6.0																						
Torque (ft-lb)	50.0	43.0	64.2	22.3	0.00																						

