

PRODUCT INFORMATION PACKET



Model No: C6T17DB90A

Catalog No: 116595.00

3HP..1740RPM.56HZ.DP.208-230/460V.3PH.60HZ.CONT.40C.1.15SF.RIGID.C6T17DB90A.....GENERAL
PURPOSE Repl 120013.NOT.....

Open Drip Proof (ODP)



Regal and Leeson are trademarks of Regal Beloit Corporation or one of its affiliated companies.

©2018 Regal Beloit Corporation, All Rights Reserved. MC017097E





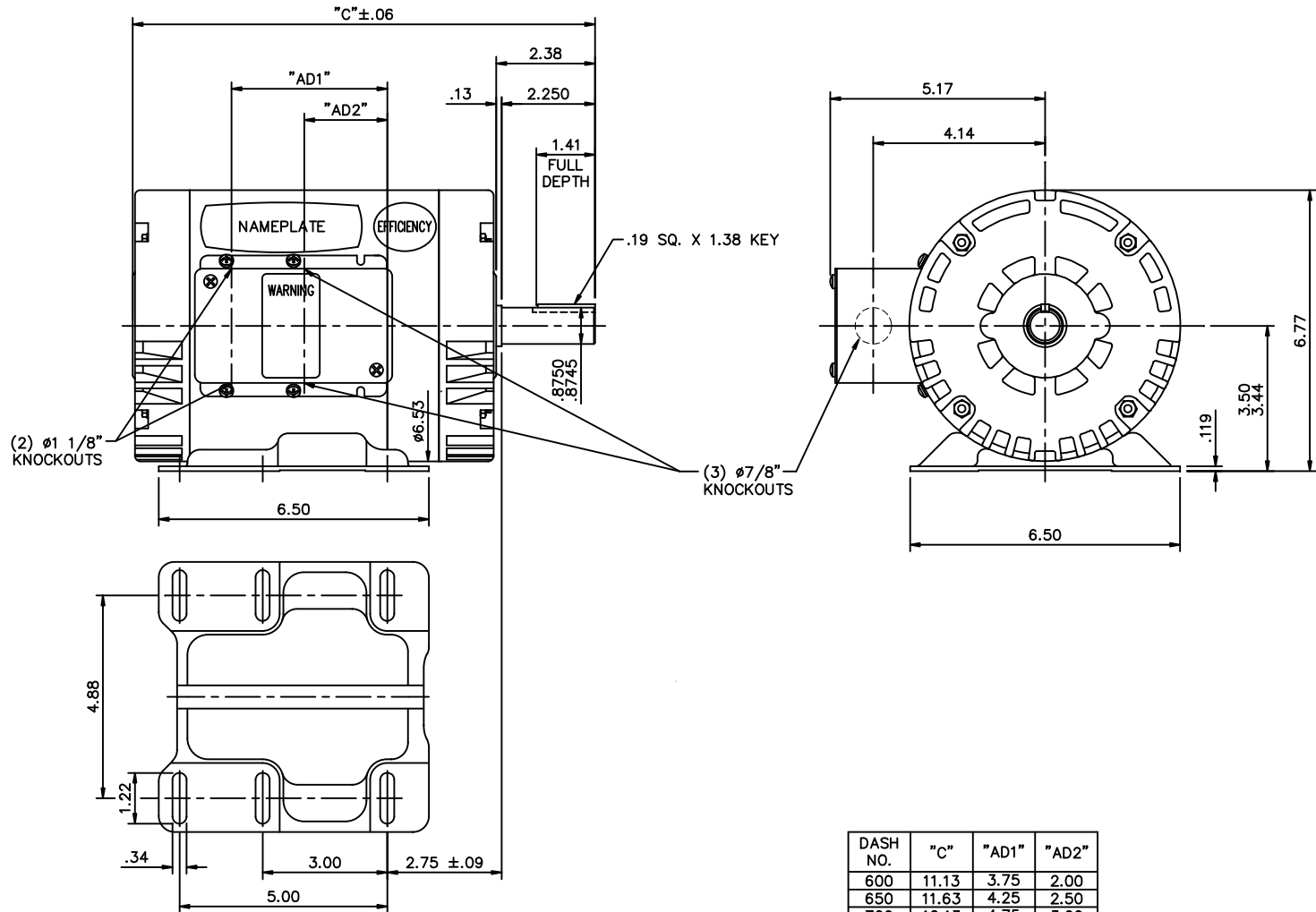
Nameplate Specifications

Output HP	3 Hp	Output KW	2.2 kW
Frequency	60 Hz	Voltage	208-230/460 V
Current	8.6/4.3 A	Speed	1740 rpm
Service Factor	1.15	Phase	3
Efficiency	82.5 %	Duty	Continuous
Insulation Class	F	Design Code	C
KVA Code	J	Frame	56HZ
Enclosure	Drip Proof	Overload Protector	No
Ambient Temperature	40 °C	Drive End Bearing Size	6205
Opp Drive End Bearing Size	6203	UL	Recognized
CSA	Y	CE	N
IP Code	22		

Technical Specifications

Electrical Type	Squirrel Cage Induction Run	Starting Method	Across The Line
Poles	4	Rotation	Reversible
Mounting	Rigid base	Motor Orientation	HORIZONTAL
Drive End Bearing	BALL	Opp Drive End Bearing	BALL
Frame Material	Rolled Steel	Shaft Type	Single Special Extension
Overall Length	13.13 in	Frame Length	8.00 in
Shaft Diameter	0.875 in	Shaft Extension	2.25 in
Assembly/Box Mounting	F1 ONLY		
Outline Drawing	029015-800	Connection Diagram	005010.01

This is an uncontrolled document once printed or downloaded and is subject to change without notice. Date Created: 10/15/2018



DASH NO.	"C"	"AD1"	"AD2"
600	11.13	3.75	2.00
650	11.63	4.25	2.50
700	12.13	4.75	3.00
750	12.63	5.25	3.50
800	13.13	5.75	4.00
850	13.63	6.25	4.50

NO.	REVISION	BY & DATE	CHK	ANG	±1/2"	FINISH	MAT'L	TITLE	SCALE	REV.
								LEESON ELECTRIC MOTORS GEARMOTORS AND DRIVES OUTLINE - 56HZ FRAME DRIP PROOF - RIGID GENERAL PURPOSE		
									3=8	
THIS DRAWING IN DESIGN AND DETAIL IS OUR PROPERTY AND MUST NOT BE USED EXCEPT IN CONNECTION WITH OUR WORK ALL RIGHTS OF DESIGN AND INVENTION ARE RESERVED THIS IS AN ELECTRONICALLY GENERATED DOCUMENT - DO NOT SCALE THIS PRINT						RFP	CAD FILE	029015	SIZE	DRAWING NO.
						DIST	BRF-NLV		B	029015

005010-01

VIEW FROM OUTSIDE OF MOTOR AT SWITCH END.



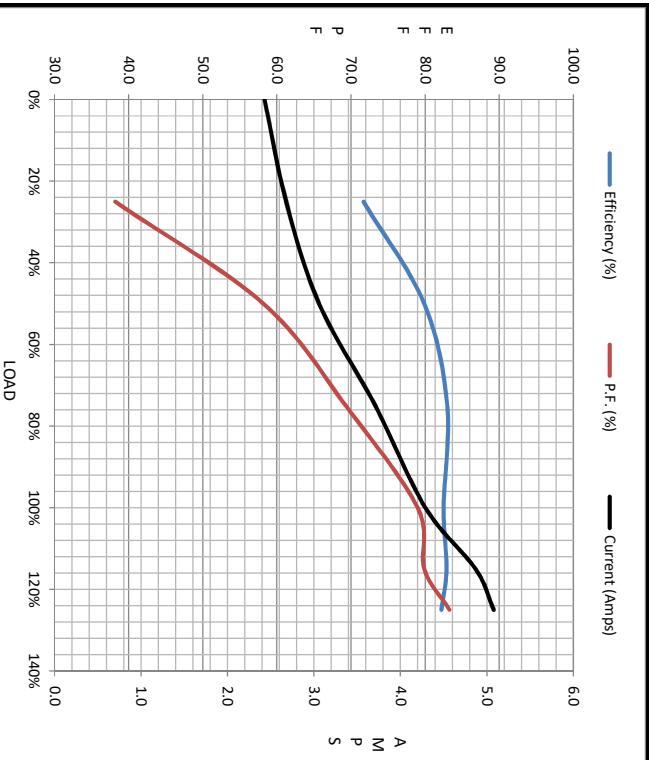
VOLTAGE	L1	L2	L3	JOIN & INSULATE
HIGH	T1	T2	T3	(T4,T7) (T5,T8) (T6,T9)
LOW	T1,T7	T2,T8	T3,T9	T4,T5,T6

				TOLERANCES UNLESS SPECIFIED		Regal Beloit America, Inc.		DRAWN RDW 04/12/02				
				DEC.	INCHES			CHK				
				.X	±.1			APPD				
				.XX	±.01			SCALE 1=1				
				.XXX	±.005	TITLE		REF FIG.2-51				
A	UPDATED TO REGAL LOGO			SAJ	06/26/15	AJY	.XXXX	±.0005	MAT'L. DECAL - 004014	FMF		
NO.	REVISION			BY & DATE	CHK	ANG	±1/2"	FINISH	PREV			
THIS DRAWING IN DESIGN AND DETAIL IS OUR PROPERTY AND MUST NOT BE USED EXCEPT IN CONNECTION WITH OUR WORK ALL RIGHTS OF DESIGN AND INVENTION ARE RESERVED THIS IS AN ELECTRONICALLY GENERATED DOCUMENT - DO NOT SCALE THIS PRINT				RFP	04/12/02		CAD FILE	00501001		SIZE	DRAWING NO.	REV.
				DIST	BRF-NLV			A	005010-01		A	



Motor Load Data									
Load	0%	25%	50%	75%	100%	115%	125%	LR	
Current (Amps)	2.43	2.68	3.1	3.7	4.3	4.9	5.1	30.0	
Torque (ft-lb)	0.00	2.30	4.5	6.8	9.0	10.4	11.3	30.0	
RPM	1800	1786	1772	1758	1742	1736	1726	0	
Efficiency (%)		71.7	79.9	83.0	82.5	82.9	82.2		
P.F. (%)	10.0	38.2	58.2	69.3	79.0	79.9	83.3	0.0	

Motor Speed Data						Information Block																										
LR	Pull-Up	BD	Rated	Idle		HP	Sync. RPM	Frame	Enclosure	Construction	Voltage	Frequency	Design	LR Code letter	Service Factor	Temp Rise @ FL	Duty	Ambient	Elevation	Rotor/Shaft wk ²	Ref Wdg	Sound Pressure @ 1M	VFD Rating	Outline Dwg	Conn. Diag	Additional Specifications:	R1	R2	X1	X2	Xm	
0	200	1200	1742	1800		3.0	1800	140	DP	NA	208-230/460	60	B	J	1.15	75	CONT	40	1,000	0.16	T634206 DR	999	NONE	029015-800	005010.01		0.0000	0.0000	0.0000	0.0000	0.0000	
30.0	27.6	18.0	4.3	2.43																												
Torque (ft-lb)	30.0	29.0	35.7	9.0	0.00																											



EQUIV CKT (OHMS / PHASE)			
R1	R2	X1	Xm
0.0000	0.0000	0.0000	0.0000

