

PRODUCT INFORMATION PACKET



Model No: C6C28FC4 H

Catalog No: 113913.00

3/4HP..55kW.2850RPM.56.IP54.110/220V.1PH.50HZ.CONT.NOT.40C.1SF.C FACE.50 HERTZ.C6C28FC4H
50 Hz



Regal and Leeson are trademarks of Regal Beloit Corporation or one of its affiliated companies.

©2018 Regal Beloit Corporation, All Rights Reserved. MC017097E



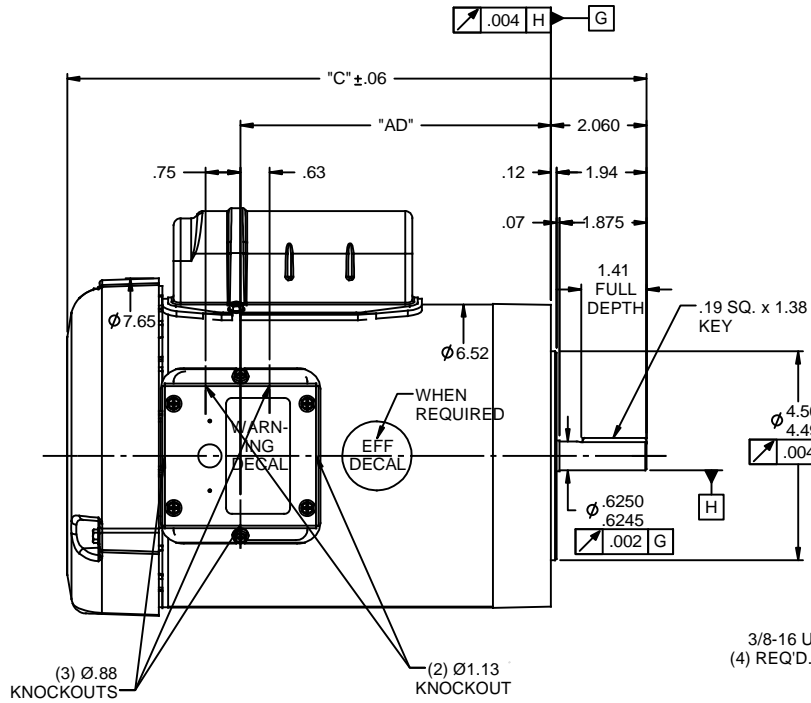
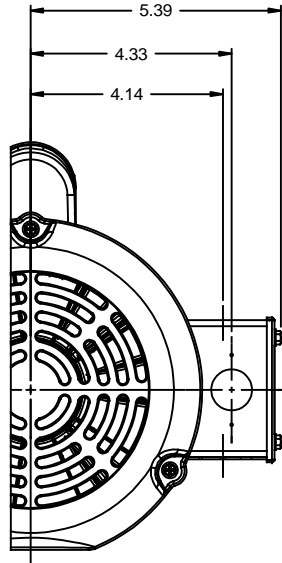


Nameplate Specifications

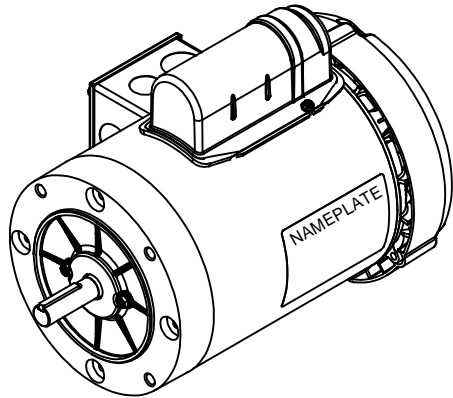
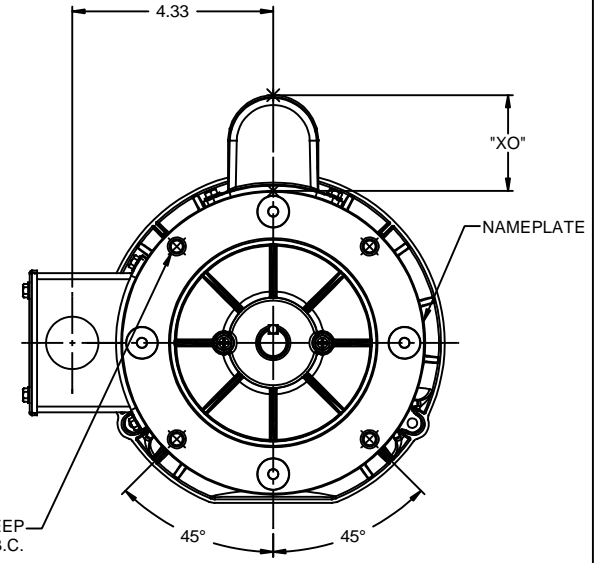
Output HP	0.75 Hp	Output KW	0.56 kW
Frequency	50 Hz	Voltage	110/220 V
Current	11.2/5.6 A	Speed	2850 rpm
Service Factor	1	Phase	1
Efficiency	70 %	Duty	Continuous
Insulation Class	B	Design Code	N
KVA Code	K	Frame	56C
Enclosure	Totally Enclosed Fan Cooled	Overload Protector	No
Ambient Temperature	40 °C	Drive End Bearing Size	6203
Opp Drive End Bearing Size	6203	UL	Recognized
CSA	Y	CE	Y
IP Code	54		

Technical Specifications

Electrical Type	Capacitor Start Induction Run	Starting Method	Across The Line
Poles	2	Rotation	Selective Counterclockwise
Mounting	Round	Motor Orientation	HORIZONTAL
Drive End Bearing	BALL	Opp Drive End Bearing	BALL
Frame Material	Rolled Steel	Shaft Type	NEMA 56
Overall Length	11.48 in	Frame Length	6.00 in
Shaft Diameter	0.625 in	Shaft Extension	1.88 in
Assembly/Box Mounting	F1 ONLY		
Outline Drawing	028854-600B	Connection Diagram	005390.01



3/8-16 UNC-2B x .56 DEEP
 (4) REQD. ON A Ø5.875 B.C.

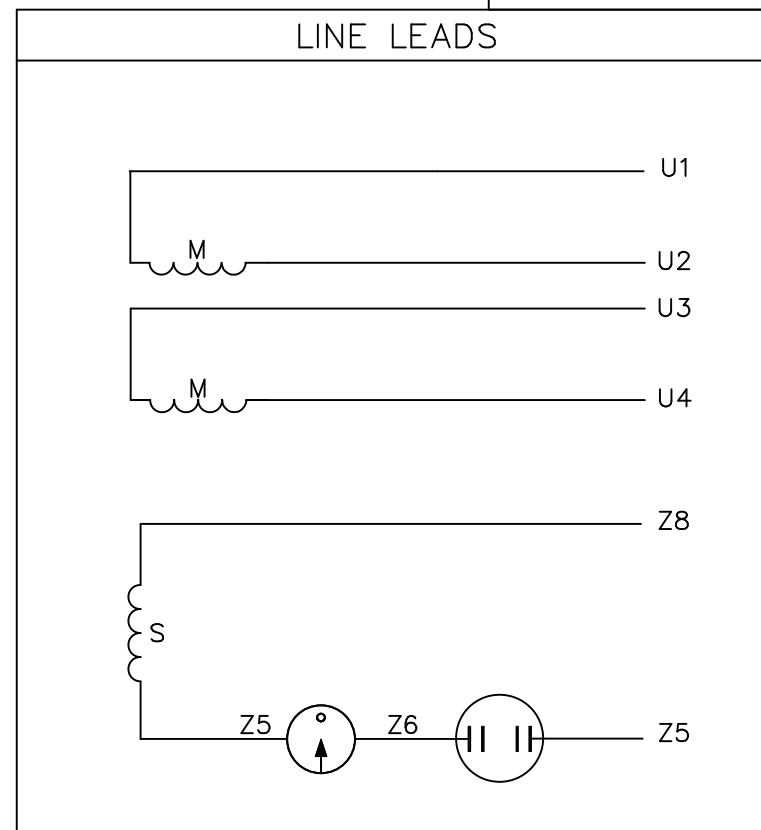
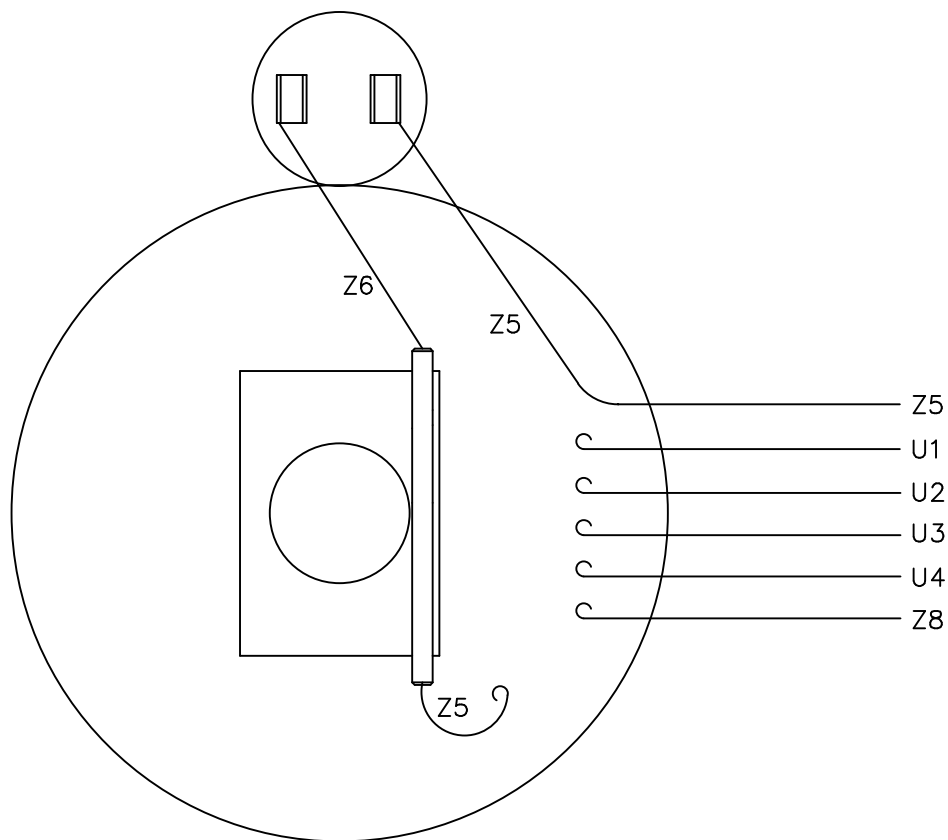


NOTES:
 1) GASKETS THROUGHOUT

DASH NO.	"C"	"AD"	CAP DASH XO	
500	10.48	4.69	A	1.61
550	10.98	5.19	B	2.08
600	11.48	5.69	C	2.32
650	11.98	6.19		
700	12.48	6.69		
750	12.98	7.19		
800	13.48	7.69		
850	13.98	8.19		

			TOLERANCES UNLESS SPECIFIED		LEESON	ELECTRIC MOTORS GEARMOTORS AND DRIVES	DRAWN GRB 07/17/2008	
			DEC	INCHES			CHK	DJ 07/17/2008
			X	±.1			APPR	
			.XX	±.03		TITLE	SCALE	3:8
02	ADDED ISOMETRIC VIEW AS PER ISAAC #08-4017	GRB 9/5/2008	DJ	±.005		TEFC - "C" FACE	REF	028852
01	ADDED "XO" DIMENSION	SRS 8/28/2008		±.0005		MATL	FMF	110419.00
NO	REVISION	BY & DATE	CHK	ANG	±1/2"	FINISH	PAGE	OF
			RFP	07/17/2008	PREV		SIZE	DRAWING NO
							B	028854
					NETWORK FILE NAME	028854		REV
								02

VIEW FROM OUTSIDE OF MOTOR AT SWITCH END.



	ROTATION FACING LEAD END	L1	L2	JOIN
HIGH VOLT	C.C.W.	U1	U4 Z5	U2,U3 Z8
	C.W.	U1	U4 Z8	U2,U3 Z5
LOW VOLT	C.C.W.	U1,U3 Z8	U2,U4 Z5	---
	C.W.	U1,U3 Z5	U2,U4 Z8	---

NO.	REVISION	BY & DATE	CHK	TOLERANCES UNLESS SPECIFIED	
				DEC.	INCHES
				.X	±.1
				.XX	±.01
				.XXX	±.005
				.XXXX	±.0005
				ANG	±1/2°

**ELECTRIC MOTORS
GEARMOTORS
AND DRIVES**

TITLE EXTERNAL WIRING DIAGRAM
 TYPE "C" W/O PROTECTOR

MAT'L. DECAL - 080642

FINISH LEESON CANADA

RFP	CAD FILE	00539001
DIST	SIZE	DRAWING NO.
	A	005390-01

DRAWN RSK 09/09/96
 CHK
 APPD
 SCALE 1=1
 REF 005005-01
 FMF 114964.00
 PREV



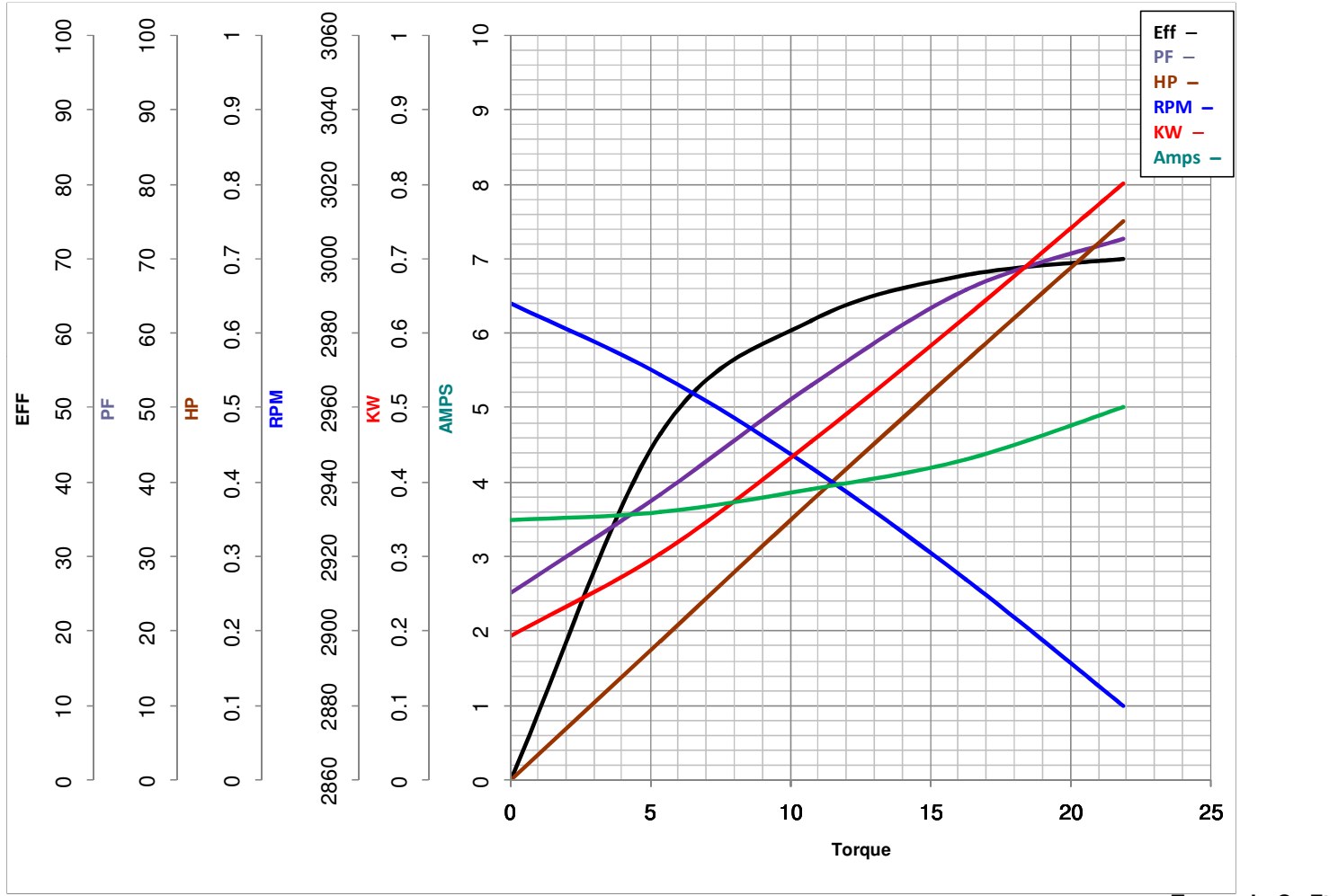
LEESON ELECTRIC CORPORATION
 TYPICAL PERFORMANCE CURVE for AC MOTOR

Model No 113913.00

Catalog No 113913.00

Curve at 220 Volts HP 0.75 PHASE 1
50 HZ
0.75 HP VOLTS 110/220

HZ 50 RPM 2850



FL TORQUE	<u>21.9</u> Oz.Ft	FL AMPS	<u>11.2/5.6</u>
BD TORQUE	<u>58.4</u> Oz.Ft	PU TORQUE	<u>52.5</u> Oz.Ft
LR TORQUE	<u>63.4</u> Oz.Ft	LR AMPS	<u>26.8</u>
WINDING	C632227-5	Date	4/23/2018