

PRODUCT INFORMATION PACKET



Model No: A4C34DC5J

Catalog No: 100205.00

3/4HP..3450RPM.48.DP.115/208-230V.1PH.60HZ.CONT.AUTOMATIC.40C.1.5SF.ROUND.JET
PUMP.A4C34DC5J

Jet Pump



Regal and Leeson are trademarks of Regal Beloit Corporation or one of its affiliated companies.

©2018 Regal Beloit Corporation, All Rights Reserved. MC017097E





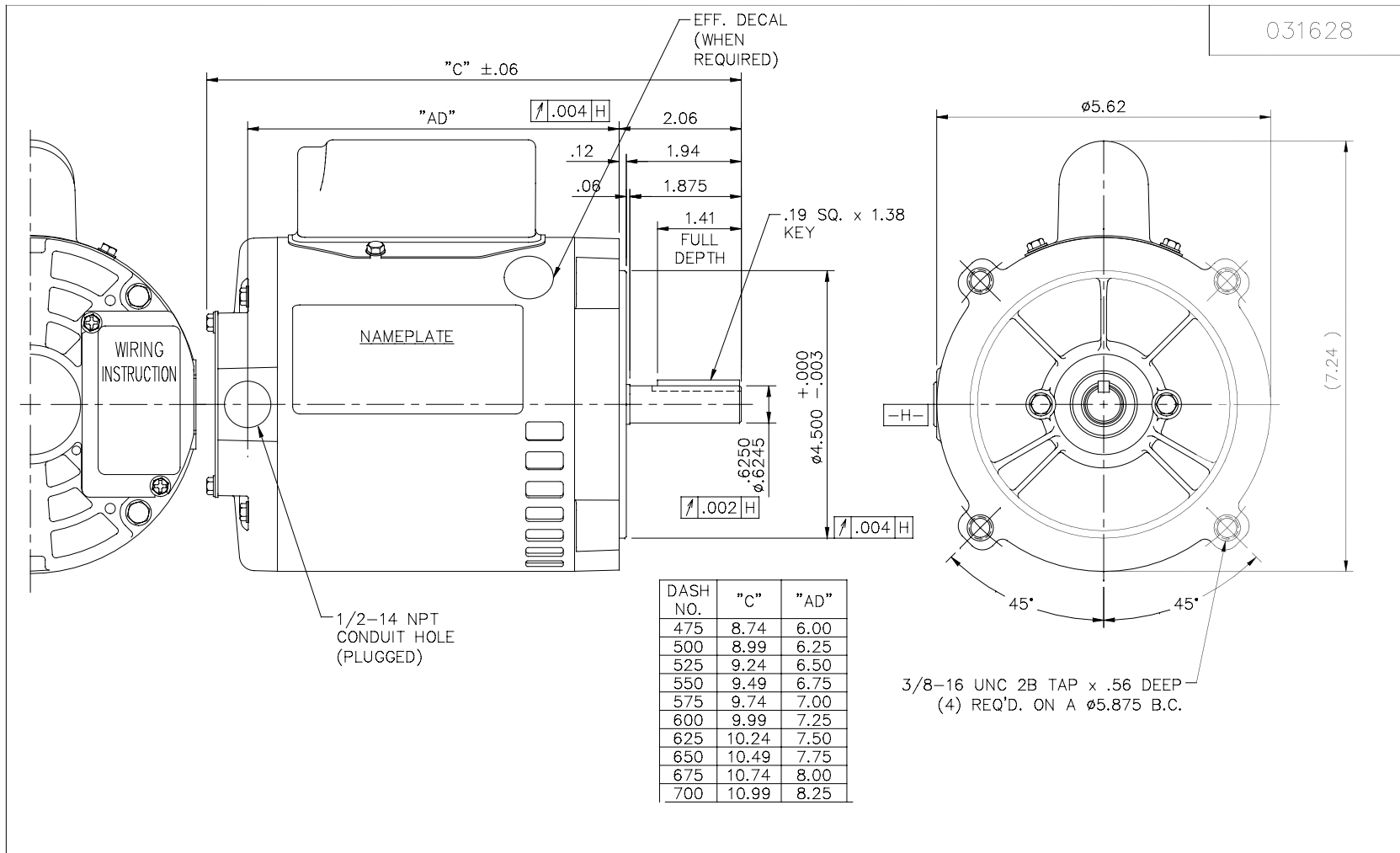
Nameplate Specifications

Output HP	0.75 Hp	Output KW	0.56 kW
Frequency	60 Hz	Voltage	115/208-230 V
Current	10.2/4.8-5.1 A	Speed	3450 rpm
Service Factor	1.5	Phase	1
Efficiency	66 %	Duty	Continuous
Insulation Class	B	Design Code	N
KVA Code	K	Frame	S56C
Enclosure	Drip Proof	Overload Protector	Automatic
Ambient Temperature	40 °C	Drive End Bearing Size	6203
Opp Drive End Bearing Size	6203	UL	Recognized
CSA	Y	CE	N
IP Code	22		

Technical Specifications

Electrical Type	Capacitor Start Induction Run	Starting Method	Across The Line
Poles	2	Rotation	Selective Clockwise
Mounting	Round	Motor Orientation	HORIZONTAL
Drive End Bearing	BALL	Opp Drive End Bearing	BALL
Frame Material	Rolled Steel	Shaft Type	T
Overall Length	9.99 in	Frame Length	6.00 in
Shaft Diameter	0.625 in	Shaft Extension	1.88 in
Assembly/Box Mounting	F1 ONLY		
Outline Drawing	031628-600	Connection Diagram	005049.16

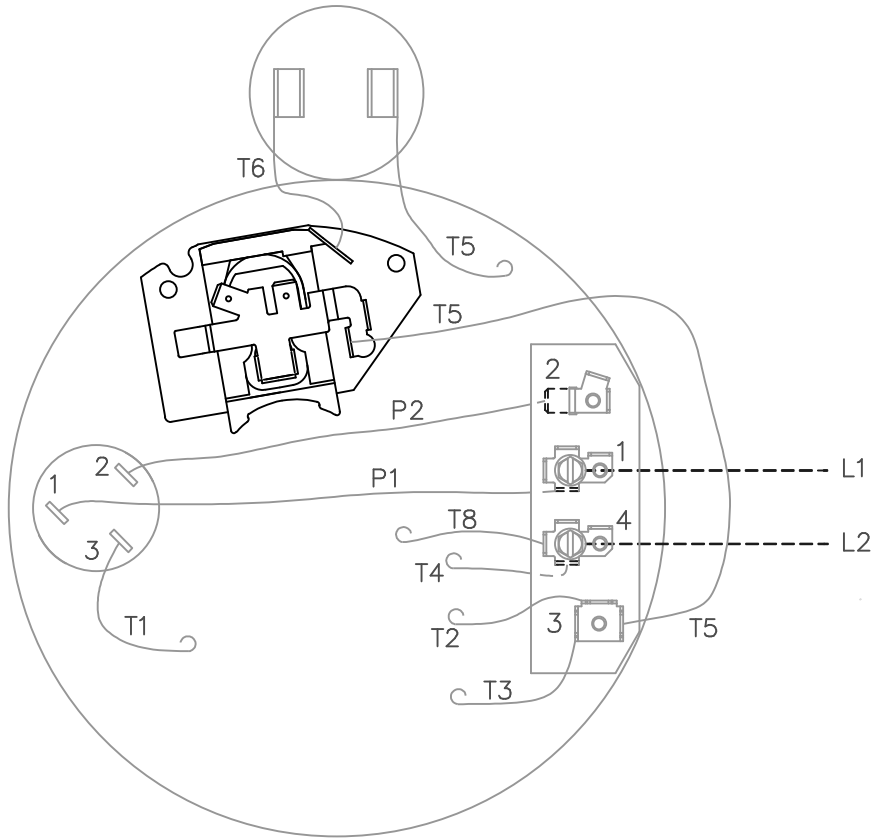
031628



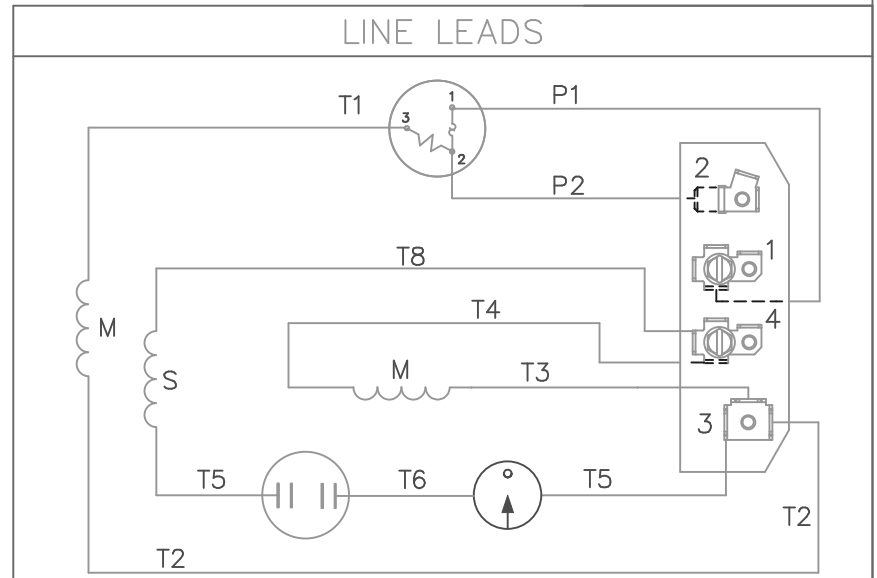
DASH NO.	"C"	"AD"
475	8.74	6.00
500	8.99	6.25
525	9.24	6.50
550	9.49	6.75
575	9.74	7.00
600	9.99	7.25
625	10.24	7.50
650	10.49	7.75
675	10.74	8.00
700	10.99	8.25

		TOLERANCES UNLESS SPECIFIED		DEC.	INCHES	TITLE	DRAWN PG 5/24/01			
		.X	±.1							
		.XX	±.03			ELECTRIC MOTORS GEARMOTORS AND DRIVES	CHK			
02	UPDATED WITH CAP BOX AND DECAL	SL	10/01/15	JD	.XXX	±.005	APPD			
01	REVISED CALLOUT OF GD&T	KMM	6/6/02		.XXXX	±.0005	SCALE 1=2			
NO.	REVISION	BY & DATE	CHK	ANG	±1/2"	FINISH	REF 031070			
THIS DRAWING IN DESIGN AND DETAIL IS OUR PROPERTY AND MUST NOT BE USED EXCEPT IN CONNECTION WITH OUR WORK ALL RIGHTS OF DESIGN AND INVENTION ARE RESERVED THIS IS AN ELECTRONICALLY GENERATED DOCUMENT - DO NOT SCALE THIS PRINT						RFP	CAD FILE 031628	SIZE A	DRAWING NO. 031628	REV. 02
						DIST				

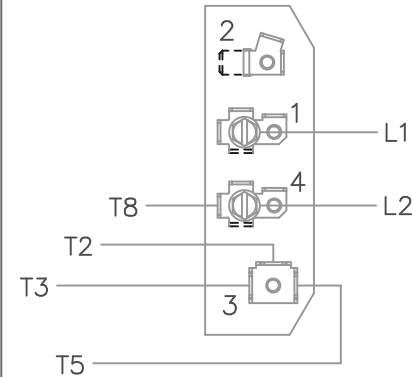
VIEW FROM OUTSIDE OF MOTOR AT SWITCH END.



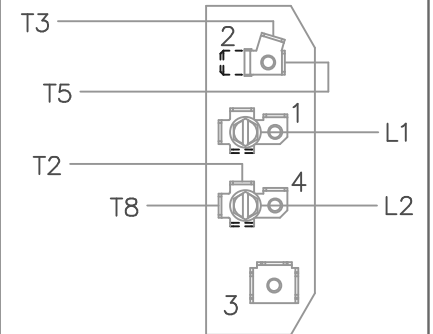
P1, P2, T4 TO GO TO
BACK SIDE OF TERMINAL BOARD




HIGH VOLTAGE
C.W.L.E. ROTATION



LOW VOLTAGE
C.W.L.E. ROTATION



FOR C.C.W. ROTATION INTERCHANGE T5 AND T8.

				TOLERANCES UNLESS SPECIFIED		 ELECTRIC MOTORS GEARMOTORS AND DRIVES		DRAWN PG 1/31/03	
				DEC.	INCHES			CHK	
				.X	±.1			APPD	
				.XX	±.01			SCALE 1=1	
				.XXX	±.005			REF 005049-12	
				.XXXX	±.0005	MAT'L DUAL VOLTAGE - DUAL ROTATION		FMF 100204.00	
NO.	REVISION	BY & DATE	CHK	ANG	±1/2"	FINISH	DRAWING NO.		REV.
				RFP		CAD FILE 00504916	SIZE A	005049-16	
				DIST					

THIS DRAWING IN DESIGN AND DETAIL IS OUR PROPERTY AND MUST NOT BE USED EXCEPT IN CONNECTION WITH OUR WORK ALL RIGHTS OF DESIGN AND INVENTION ARE RESERVED THIS IS AN ELECTRONICALLY GENERATED DOCUMENT - DO NOT SCALE THIS PRINT

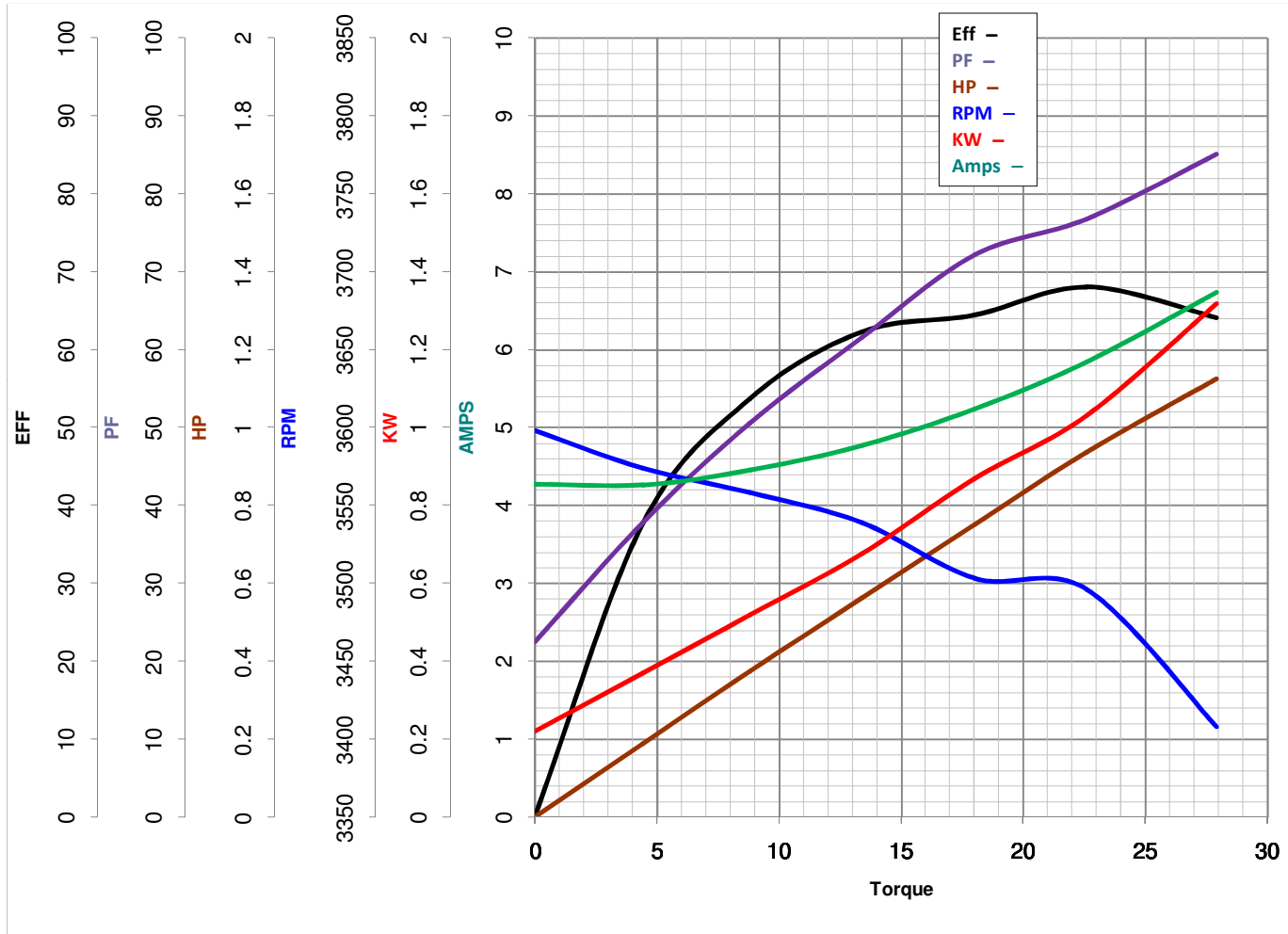


LEESON ELECTRIC CORPORATION
 TYPICAL PERFORMANCE CURVE for AC MOTOR

Model No 100205.00

Catalog No 100205.00

Curve at 230 Volts HP 0.76 PHASE 1
60 HZ
0.75 HP VOLTS 115/208-230
 HZ 60 RPM 3450



Torque in Oz.Ft

FL TORQUE 18 Oz.Ft
 BD TORQUE 48.0 Oz.Ft
 LR TORQUE 37.3 Oz.Ft

FL AMPS 10.2/4.8-5.1
 PU TORQUE 36.4 Oz.Ft
 LR AMPS 28.6

WINDING CE482256-3

Date 3/22/2018