

# Full Size Enclosures

## H2 Series, Server Enclosure Accessory

### Fan Kit, 460 CFM Rated

# HUBBELL

#### Features

- Fan Kits Mount To The Top Of The Enclosure
- Multiple Fan Kits Can be Installed Depending on the Depth of the Enclosure

#### Ordering Information

Cabinet	H2 Accessory	Catalog Number	UPC
Server	460 CFM Fan Kit	H2KSF	662620220840

#### Specifications

Material	Cold Rolled Steel
Finish	Black powder coated
H2 Cabinet Type	Server (24"W)
Fans per Panel	2

#### Characteristics

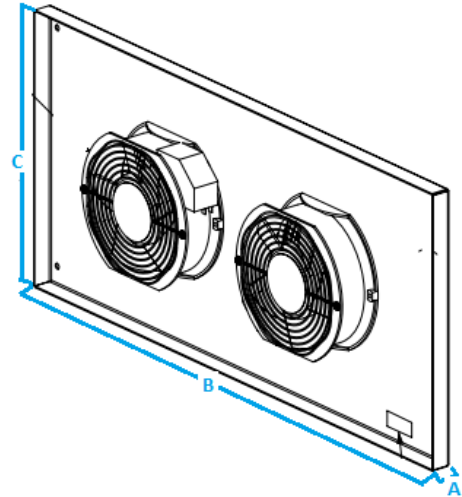
CFM Total	460 CFM
-----------	---------

#### Accessories

15A Powerstrip	<b>HPWPWR</b>
Flat blanking panel, 1U	<b>MCCBM175</b>
Flat blanking panel, 2U	<b>MCCBM350</b>
1U Horizontal cable manager with cover	<b>HM17C</b>
2U Horizontal cable manager with cover	<b>HM27C</b>

#### Online Resources

Customer Use Drawing  
eCatalog



#### Dimensions- inches (mm)

A	0.89" (23)
B	19.9" (505)