

SELECTION/DIMENSIONS

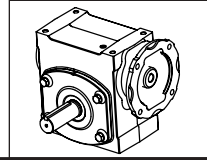
TIGEAR-2 QUILL INPUT - SIZE 23

RATIO	OUTPUT RPM	RATING DATA 1750 INPUT RPM		PART NUMBER			SHAFT POSITION
				56C	140TC	180TC	
5	350	Mechanical Input Hp	5.25	23Q05L56	23Q05L14	23Q05L18	L
		Thermal Input Hp	6.61	23Q05R56	23Q05R14	23Q05R18	R
		Output Torque (lb in.)	881	23Q05LR56	23Q05LR14	23Q05LR18	LR
		Mechanical Output Hp	4.89	23Q05H56	23Q05H14	23Q05H18	HOLLOW
		Output OHL (lbs.)	1330	23Q05HA56	23Q05HA14	23Q05HA18	HOLLOW ALT.
7.5	233	Mechanical Input Hp	4.18	23Q07L56	23Q07L14	23Q07L18	L
		Thermal Input Hp	5.64	23Q07R56	23Q07R14	23Q07R18	R
		Output Torque (lb in.)	1026	23Q07LR56	23Q07LR14	23Q07LR18	LR
		Mechanical Output Hp	3.85	23Q07H56	23Q07H14	23Q07H18	HOLLOW
		Output OHL (lbs.)	1520	23Q07HA56	23Q07HA14	23Q07HA18	HOLLOW ALT.
10	175	Mechanical Input Hp	3.42	23Q10L56	23Q10L14	23Q10L18	L
		Thermal Input Hp	4.40	23Q10R56	23Q10R14	23Q10R18	R
		Output Torque (lb in.)	1106	23Q10LR56	23Q10LR14	23Q10LR18	LR
		Mechanical Output Hp	3.07	23Q10H56	23Q10H14	23Q10H18	HOLLOW
		Output OHL (lbs.)	1610	23Q10HA56	23Q10HA14	23Q10HA18	HOLLOW ALT.
15	117	Mechanical Input Hp	2.57	23Q15L56	23Q15L14		L
		Thermal Input Hp	3.30	23Q15R56	23Q15R14		R
		Output Torque (lb in.)	1199	23Q15LR56	23Q15LR14		LR
		Mechanical Output Hp	2.22	23Q15H56	23Q15H14		HOLLOW
		Output OHL (lbs.)	1610	23Q15HA56	23Q15HA14		HOLLOW ALT.
20	88	Mechanical Input Hp	2.00	23Q20L56	23Q20L14		L
		Thermal Input Hp	2.62	23Q20R56	23Q20R14		R
		Output Torque (lb in.)	1178	23Q20LR56	23Q20LR14		LR
		Mechanical Output Hp	1.64	23Q20H56	23Q20H14		HOLLOW
		Output OHL (lbs.)	1610	23Q20HA56	23Q20HA14		HOLLOW ALT.
25	70	Mechanical Input Hp	1.65	23Q25L56	23Q25L14		L
		Thermal Input Hp	2.16	23Q25R56	23Q25R14		R
		Output Torque (lb in.)	1184	23Q25LR56	23Q25LR14		LR
		Mechanical Output Hp	1.32	23Q25H56	23Q25H14		HOLLOW
		Output OHL (lbs.)	1610	23Q25HA56	23Q25HA14		HOLLOW ALT.
30	58	Mechanical Input Hp	1.42	23Q30L56	23Q30L14		L
		Thermal Input Hp	2.06	23Q30R56	23Q30R14		R
		Output Torque (lb in.)	1201	23Q30LR56	23Q30LR14		LR
		Mechanical Output Hp	1.11	23Q30H56	23Q30H14		HOLLOW
		Output OHL (lbs.)	1610	23Q30HA56	23Q30HA14		HOLLOW ALT.
40	44	Mechanical Input Hp	1.11	23Q40L56	23Q40L14		L
		Thermal Input Hp	1.73	23Q40R56	23Q40R14		R
		Output Torque (lb in.)	1193	23Q40LR56	23Q40LR14		LR
		Mechanical Output Hp	0.83	23Q40H56	23Q40H14		HOLLOW
		Output OHL (lbs.)	1610	23Q40HA56	23Q40HA14		HOLLOW ALT.
50	35	Mechanical Input Hp	0.95	23Q50L56			L
		Thermal Input Hp	1.42	23Q50R56			R
		Output Torque (lb in.)	1182	23Q50LR56			LR
		Mechanical Output Hp	0.66	23Q50H56			HOLLOW
		Output OHL (lbs.)	1610	23Q50HA56			HOLLOW ALT.
60	29	Mechanical Input Hp	0.80	23Q60L56			L
		Thermal Input Hp	1.24	23Q60R56			R
		Output Torque (lb in.)	1111	23Q60LR56			LR
		Mechanical Output Hp	0.51	23Q60H56			HOLLOW
		Output OHL (lbs.)	1610	23Q60HA56			HOLLOW ALT.

Note: Reducers are shipped without a mounting base. Order bolt-on base kit **23BASE** if required.

Refer to page 84 for hollow bore bushing selections

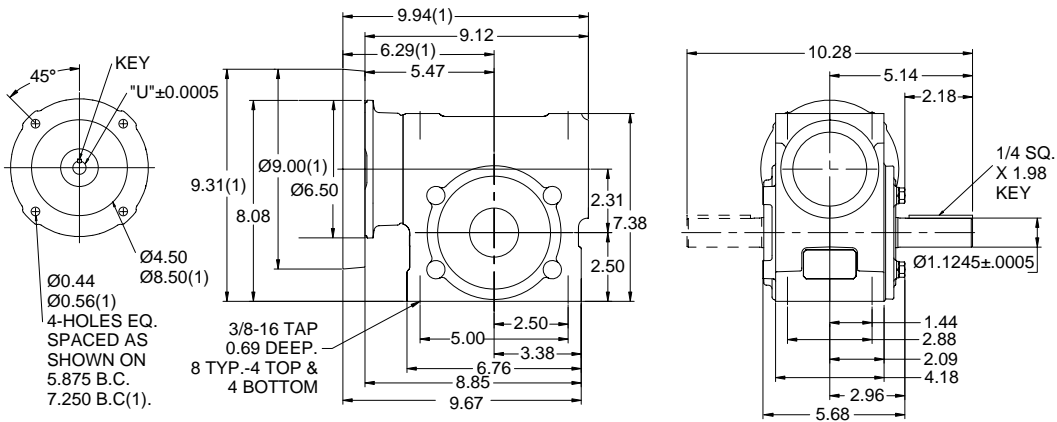
FEATURES/BENEFITS PAGE 3	SPECIFICATION PAGE 6	NOMENCLATURE PAGE 7	MODIFICATION / ACCESSORIES PAGE 78
-----------------------------	-------------------------	------------------------	---------------------------------------



SELECTION/DIMENSIONS

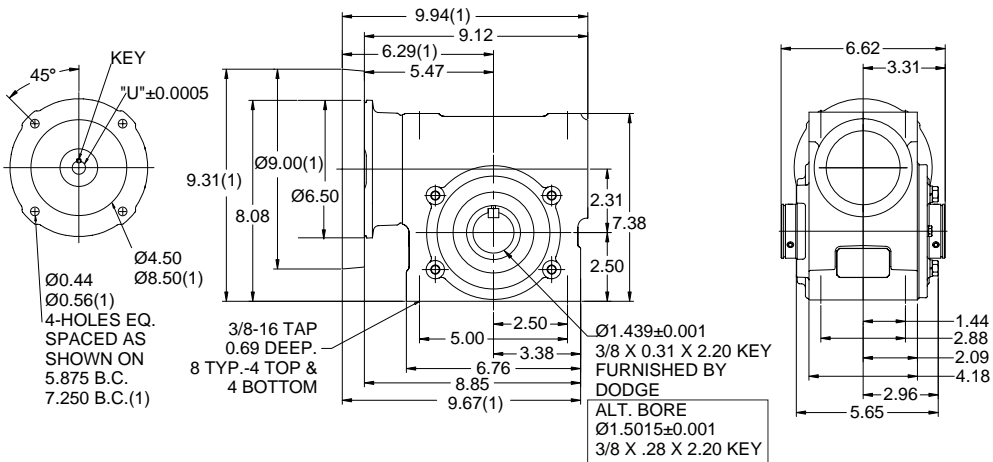
TIGEAR-2 QUILL INPUT - SIZE 23

SOLID OUTPUT



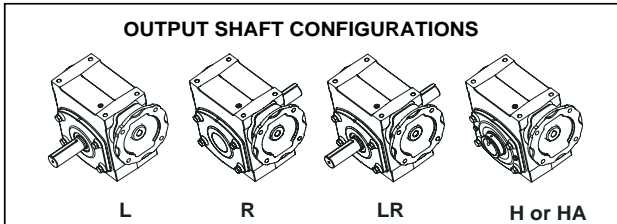
(1) DIMENSIONS APPLY TO 180 FRAME MOTOR ADAPTER

HOLLOW OUTPUT

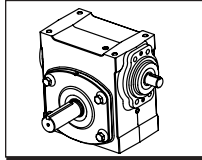


MOTOR FRAME	"U"	KEY
48Y 56C	.6255	3/16 SQ. x 1.50 KEY
140TC 160ATC	.8755	3/16 SQ x 1.50 KEY
180TC 180ATC	1.1255	1/4 SQ X 2.00 KEY

OUTPUT SHAFT CONFIGURATIONS



FEATURES/BENEFITS PAGE 3	SPECIFICATION PAGE 6	NOMENCLATURE PAGE 7	MODIFICATION / ACCESSORIES PAGE 78
-----------------------------	-------------------------	------------------------	---------------------------------------



SELECTION/DIMENSIONS

TIGEAR-2 SEPARATE INPUT - SIZE 23

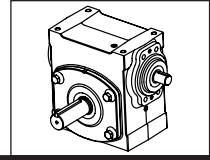
RATIO	OUTPUT RPM	RATING DATA 1750 INPUT RPM		SEPARATE REDUCER	SHAFT POSITION	OPTIONAL MOTOR ADAPTER KIT		
						56C	140TC	180TC
5	350	Mechanical Input Hp	5.25	23S05L	L	2330MTR56	2330MTR14	2330MTR18
		Thermal Input Hp	6.61	23S05R	R			
		Output Torque (lb in.)	881	23S05LR	LR			
		Mechanical Output Hp	4.89	23S05H	HOLLOW			
		Output OHL (lbs.)	1330	23S05HA	HOLLOW ALT.			
7.5	233	Mechanical Input Hp	4.18	23S07L	L	2330MTR56	2330MTR14	2330MTR18
		Thermal Input Hp	5.64	23S07R	R			
		Output Torque (lb in.)	1026	23S07LR	LR			
		Mechanical Output Hp	3.85	23S07H	HOLLOW			
		Output OHL (lbs.)	1520	23S07HA	HOLLOW ALT.			
10	175	Mechanical Input Hp	3.42	23S10L	L	2330MTR56	2330MTR14	2330MTR18
		Thermal Input Hp	4.40	23S10R	R			
		Output Torque (lb in.)	1106	23S10LR	LR			
		Mechanical Output Hp	3.07	23S10H	HOLLOW			
		Output OHL (lbs.)	1610	23S10HA	HOLLOW ALT.			
15	117	Mechanical Input Hp	2.57	23S15L	L	2330MTR56	2330MTR14	
		Thermal Input Hp	3.30	23S15R	R			
		Output Torque (lb in.)	1199	23S15LR	LR			
		Mechanical Output Hp	2.22	23S15H	HOLLOW			
		Output OHL (lbs.)	1610	23S15HA	HOLLOW ALT.			
20	88	Mechanical Input Hp	2.00	23S20L	L	2330MTR56	2330MTR14	
		Thermal Input Hp	2.62	23S20R	R			
		Output Torque (lb in.)	1178	23S20LR	LR			
		Mechanical Output Hp	1.64	23S20H	HOLLOW			
		Output OHL (lbs.)	1610	23S20HA	HOLLOW ALT.			
25	70	Mechanical Input Hp	1.65	23S25L	L	2330MTR56	2330MTR14	
		Thermal Input Hp	2.16	23S25R	R			
		Output Torque (lb in.)	1184	23S25LR	LR			
		Mechanical Output Hp	1.32	23S25H	HOLLOW			
		Output OHL (lbs.)	1610	23S25HA	HOLLOW ALT.			
30	58	Mechanical Input Hp	1.42	23S30L	L	2330MTR56	2330MTR14	
		Thermal Input Hp	2.06	23S30R	R			
		Output Torque (lb in.)	1201	23S30LR	LR			
		Mechanical Output Hp	1.11	23S30H	HOLLOW			
		Output OHL (lbs.)	1610	23S30HA	HOLLOW ALT.			
40	44	Mechanical Input Hp	1.11	23S40L	L	2330MTR56	2330MTR14	
		Thermal Input Hp	1.73	23S40R	R			
		Output Torque (lb in.)	1193	23S40LR	LR			
		Mechanical Output Hp	0.83	23S40H	HOLLOW			
		Output OHL (lbs.)	1610	23S40HA	HOLLOW ALT.			
50	35	Mechanical Input Hp	0.95	23S50L	L	2330MTR56		
		Thermal Input Hp	1.42	23S50R	R			
		Output Torque (lb in.)	1182	23S50LR	LR			
		Mechanical Output Hp	0.66	23S50H	HOLLOW			
		Output OHL (lbs.)	1610	23S50HA	HOLLOW ALT.			
60	29	Mechanical Input Hp	0.80	23S60L	L	2330MTR56		
		Thermal Input Hp	1.24	23S60R	R			
		Output Torque (lb in.)	1111	23S60LR	LR			
		Mechanical Output Hp	0.51	23S60H	HOLLOW			
		Output OHL (lbs.)	1610	23S60HA	HOLLOW ALT.			
All Ratios		Input OHL (lbs)	200	One diameter from seal surface				

Note: TIGEAR-2 separate reducers cannot be used with the old Adaptable TIGEAR motor adapter kits.

Refer to page 84 for hollow bore bushing selections

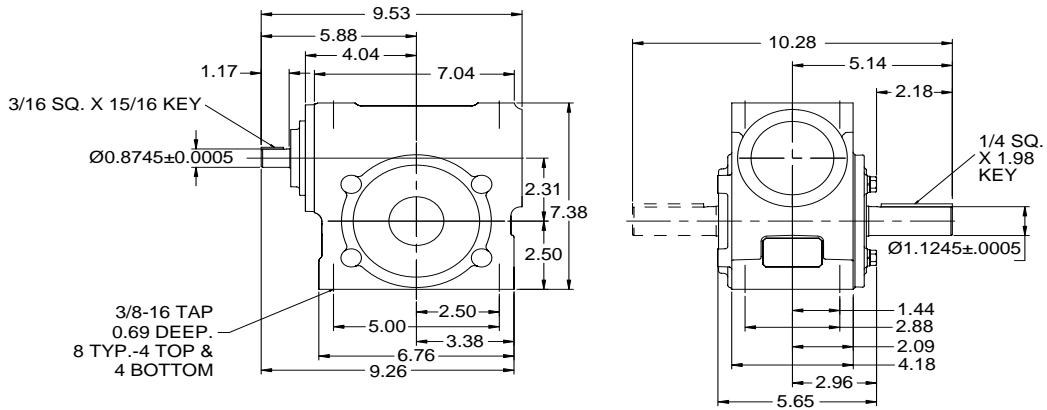
FEATURES/BENEFITS PAGE 3	SPECIFICATION PAGE 6	NOMENCLATURE PAGE 7	MODIFICATION / ACCESSORIES PAGE 78
-----------------------------	-------------------------	------------------------	---------------------------------------

SELECTION/DIMENSIONS

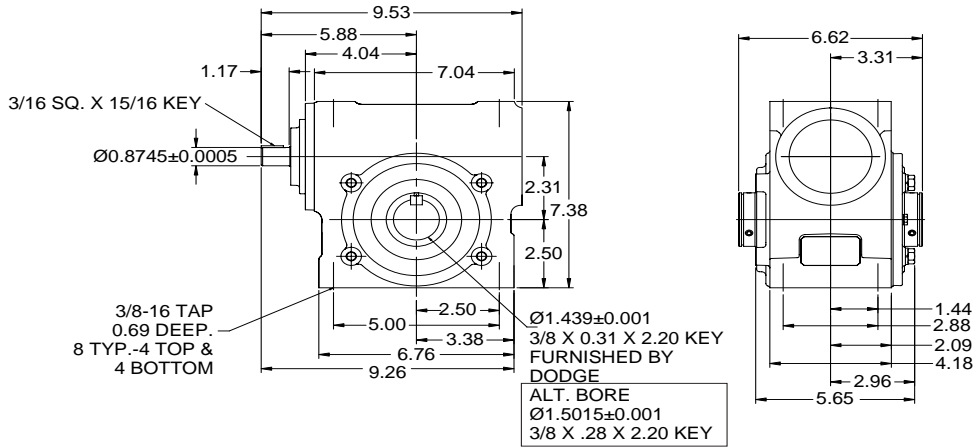


TIGEAR-2 SEPARATE INPUT - SIZE 23

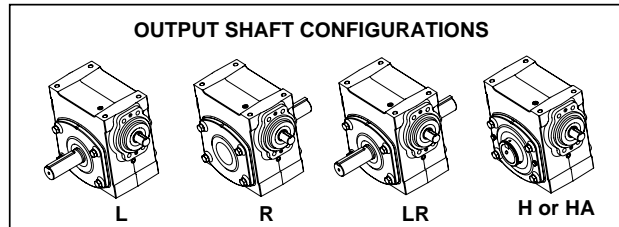
SOLID OUTPUT



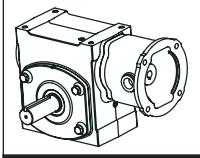
HOLLOW OUTPUT



OUTPUT SHAFT CONFIGURATIONS



FEATURES/BENEFITS PAGE 3	SPECIFICATION PAGE 6	NOMENCLATURE PAGE 7	MODIFICATION / ACCESSORIES PAGE 78
-----------------------------	-------------------------	------------------------	---------------------------------------



SELECTION/DIMENSIONS

TIGEAR-2 COUPLED INPUT - ADAPTER ASSEMBLY - SIZE 23

Coupled input units include a Separate reducer and motor adapter kit assembled together.
 These assemblies are normally "made to order" with a 5 day standard lead time.

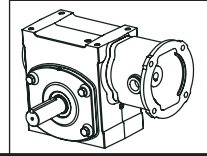
RATIO	OUTPUT RPM	RATING DATA 1750 INPUT RPM		PART NUMBER			SHAFT POSITION
				56C	140TC	180TC	
5	350	Mechanical Input Hp	5.25	23A05L56	23A05L14	23A05L18	L
		Thermal Input Hp	6.61	23A05R56	23A05R14	23A05R18	R
		Output Torque (lb in.)	881	23A05LR56	23A05LR14	23A05LR18	LR
		Mechanical Output Hp	4.89	23A05H56	23A05H14	23A05H18	HOLLOW
		Output OHL (lbs.)	1330	23A05HA56	23A05HA14	23A05HA18	HOLLOW ALT.
7.5	233	Mechanical Input Hp	4.18	23A07L56	23A07L14	23A07L18	L
		Thermal Input Hp	5.64	23A07R56	23A07R14	23A07R18	R
		Output Torque (lb in.)	1026	23A07LR56	23A07LR14	23A07LR18	LR
		Mechanical Output Hp	3.85	23A07H56	23A07H14	23A07H18	HOLLOW
		Output OHL (lbs.)	1520	23A07HA56	23A07HA14	23A07HA18	HOLLOW ALT.
10	175	Mechanical Input Hp	3.42	23A10L56	23A10L14	23A10L18	L
		Thermal Input Hp	4.40	23A10R56	23A10R14	23A10R18	R
		Output Torque (lb in.)	1106	23A10LR56	23A10LR14	23A10LR18	LR
		Mechanical Output Hp	3.07	23A10H56	23A10H14	23A10H18	HOLLOW
		Output OHL (lbs.)	1610	23A10HA56	23A10HA14	23A10HA18	HOLLOW ALT.
15	117	Mechanical Input Hp	2.57	23A15L56	23A15L14		L
		Thermal Input Hp	3.30	23A15R56	23A15R14		R
		Output Torque (lb in.)	1199	23A15LR56	23A15LR14		LR
		Mechanical Output Hp	2.22	23A15H56	23A15H14		HOLLOW
		Output OHL (lbs.)	1610	23A15HA56	23A15HA14		HOLLOW ALT.
20	88	Mechanical Input Hp	2.00	23A20L56	23A20L14		L
		Thermal Input Hp	2.62	23A20R56	23A20R14		R
		Output Torque (lb in.)	1178	23A20LR56	23A20LR14		LR
		Mechanical Output Hp	1.64	23A20H56	23A20H14		HOLLOW
		Output OHL (lbs.)	1610	23A20HA56	23A20HA14		HOLLOW ALT.
25	70	Mechanical Input Hp	1.65	23A25L56	23A25L14		L
		Thermal Input Hp	2.16	23A25R56	23A25R14		R
		Output Torque (lb in.)	1184	23A25LR56	23A25LR14		LR
		Mechanical Output Hp	1.32	23A25H56	23A25H14		HOLLOW
		Output OHL (lbs.)	1610	23A25HA56	23A25HA14		HOLLOW ALT.
30	58	Mechanical Input Hp	1.42	23A30L56	23A30L14		L
		Thermal Input Hp	2.06	23A30R56	23A30R14		R
		Output Torque (lb in.)	1201	23A30LR56	23A30LR14		LR
		Mechanical Output Hp	1.11	23A30H56	23A30H14		HOLLOW
		Output OHL (lbs.)	1610	23A30HA56	23A30HA14		HOLLOW ALT.
40	44	Mechanical Input Hp	1.11	23A40L56	23A40L14		L
		Thermal Input Hp	1.73	23A40R56	23A40R14		R
		Output Torque (lb in.)	1193	23A40LR56	23A40LR14		LR
		Mechanical Output Hp	0.83	23A40H56	23A40H14		HOLLOW
		Output OHL (lbs.)	1610	23A40HA56	23A40HA14		HOLLOW ALT.
50	35	Mechanical Input Hp	0.95	23A50L56			L
		Thermal Input Hp	1.42	23A50R56			R
		Output Torque (lb in.)	1182	23A50LR56			LR
		Mechanical Output Hp	0.66	23A50H56			HOLLOW
		Output OHL (lbs.)	1610	23A50HA56			HOLLOW ALT.
60	29	Mechanical Input Hp	0.80	23A60L56			L
		Thermal Input Hp	1.24	23A60R56			R
		Output Torque (lb in.)	1111	23A60LR56			LR
		Mechanical Output Hp	0.51	23A60H56			HOLLOW
		Output OHL (lbs.)	1610	23A60HA56			HOLLOW ALT.

Note: Reducers are shipped without a mounting base. Order bolt-on base kit **23BASE** if required.

Refer to page 84 for hollow bore bushing selections

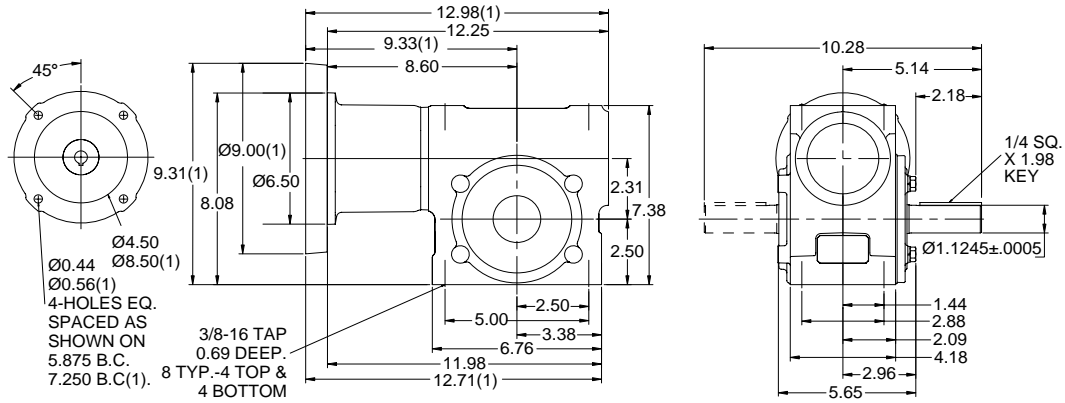
FEATURES/BENEFITS PAGE 3	SPECIFICATION PAGE 6	NOMENCLATURE PAGE 7	MODIFICATION / ACCESSORIES PAGE 78
-----------------------------	-------------------------	------------------------	---------------------------------------

SELECTION/DIMENSIONS



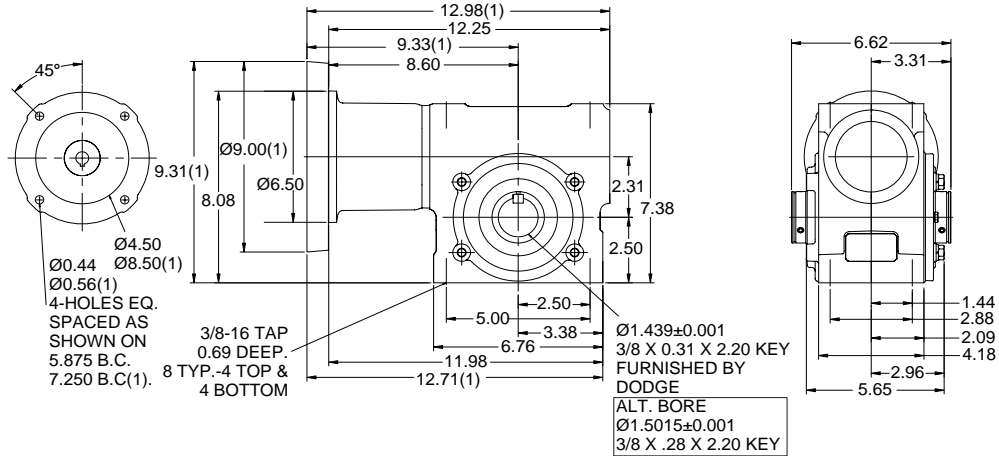
TIGEAR-2 COUPLED INPUT - SIZE 23

SOLID OUTPUT

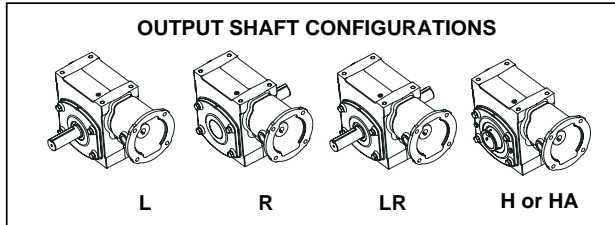


(1) DIMENSIONS APPLY TO 180 FRAME MOTOR ADAPTER

HOLLOW OUTPUT



OUTPUT SHAFT CONFIGURATIONS



FEATURES/BENEFITS PAGE 3	SPECIFICATION PAGE 6	NOMENCLATURE PAGE 7	MODIFICATION / ACCESSORIES PAGE 78
-----------------------------	-------------------------	------------------------	---------------------------------------