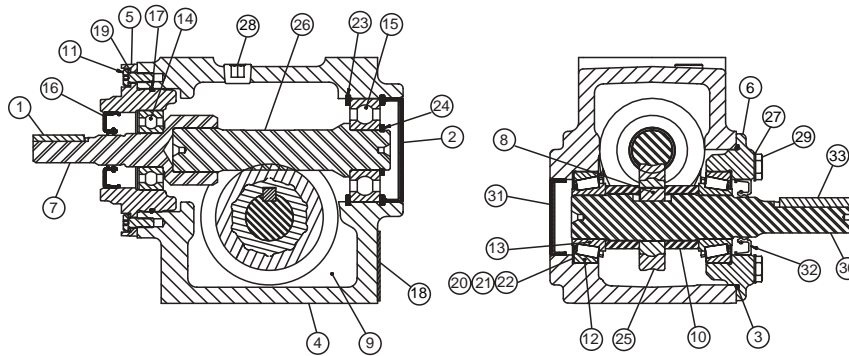




RENEWAL PARTS

TIGEAR-2 Separate Input / Solid Output Sizes 13 - 23



Ref No	Description	Qty	13	15	17	20	23
			Part Number	Part Number	Part Number	Part Number	Part Number
1	INPUT KEY	1	55582	55582	54783	54783	54783
2	I/P RIBBED B/P	1	276005	276005	276001	276001	276002
3	O-RING	1	276019	276019	276134	276355	334307
4	TIG2 SOLID GEARCASE	1	333210	333211	333212	333213	333214
5	T2 I/P BRG CARRIER	1	333245	333245	333246	333246	333249
6	T2 SOLID BRG HSG	1	333265	333265	333266	333267	333268
7	TIG2 INPUT COUPLING	1	See Gear Chart	See Gear Chart	See Gear Chart	See Gear Chart	See Gear Chart
8	SOLID GEAR KEY	1	333650	333661	333666	333671	333686
9	TIGEAR 2 LUBRICANT	1	334863	334863	334863	334863	334862
10	SOLID SPACER	2	333725	333726	333727	333728	333729
11	LHHCS PLAIN	2	333808	333808	333808	333808	333807
12-13	BEARING CUP/CONE ASSM	2	335337	335337	411626-01-C	411626-01-A	411626-01-A
14	BALL BEARING	1	334211	334211	334212	334212	334213
15	BALL BEARING	1	334218	334218	334219	334219	334220
16	TIG2 INPUT SEAL	1	334270	334270	334271	334271	334272
17	O-RING, NITRILE	1	334300	334300	334300	334300	334303
18	TIGEAR 2 NAMEPLATE	1	334305	334305	334305	334305	334305
19	MED LOCKWASHER	2	419007	419007	419007	419007	419009
20-22	SHIM KIT	1	411642-46-E	411642-46-E	411623-33-A	411623-33-B	411623-33-B
23	INTERNAL RET RING	2	411637-02-AV	411637-02-AV	j58256	58256	411637-01-A
24	EXTERNAL RET RING	1	411637-02-E	411637-02-E	411637-02-AY	411637-02-AY	411637-02-N
25	SOLID GEAR	1	See Gear Chart	See Gear Chart	See Gear Chart	See Gear Chart	See Gear Chart
26	WORMSHAFT	1	See Gear Chart	See Gear Chart	See Gear Chart	See Gear Chart	See Gear Chart
27	PIPE PLUG 1/4" SOC. (1)	2	411647-34-B	411647-34-B	411647-34-B	411647-34-B	411647-34-B
28	MED LOCKWASHER	4	419009	419009	419010	419010	275803
29	HEX HEAD CAP SCREW	4	51302	51302	411405	411405	51j929
30	O/P SHAFT, SINGLE EXTN	1	333604	333605	333606	333607	333608
31	O/P RIBBED BORE PLUG	1	276008	276008	334245	334247	334247
32	TIG2 SEAL, OUTPUT	1	334271	334271	334272	334273	334273
33	KEY, OUTPUT	1	333665	333660	333665	55025	333685

(1) Size 400 & 475 uses qty 1

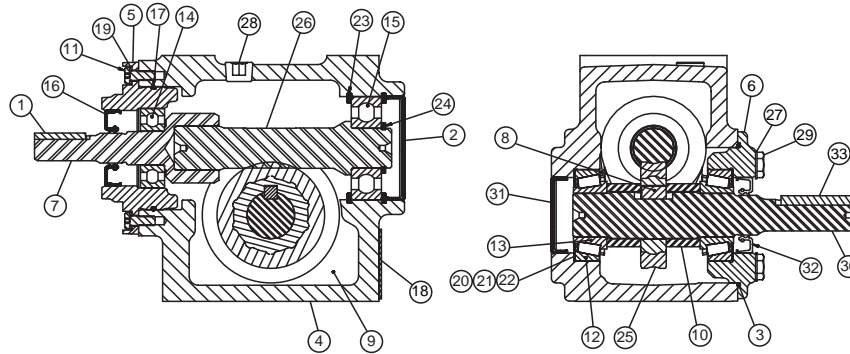
(2) Size 475 requires 266 oz. of lube. Order qty 2 (gal) 334862 & qty 1 (qt.) of 334863.

FEATURES/BENEFITS PAGE 3	SPECIFICATION PAGE 6	NOMENCLATURE PAGE 7	MODIFICATION / ACCESSORIES PAGE 78
-----------------------------	-------------------------	------------------------	---------------------------------------



RENEWAL PARTS

TIGEAR-2 Separate Input / Solid Output Sizes 26 - 47



Ref No	Description	Qty	26	30	35	40	47
			Part Number	Part Number	Part Number	Part Number	Part Number
1	INPUT KEY	1	54783	54783	51744	334561	334561
2	I/P RIBBED B/P	1	334248	276004	276007	334250	334253
3	O-RING	1	334302	334308	276358	334313	334315
4	TIG2 SOLID GEARCASE	1	333215	333216	333217	334506	334576
5	T2 I/P BRG CARRIER	1	333249	333250	333253	334508	334508
6	T2 SOLID BRG HSG	1	333269	333270	333271	334510	334580
7	TIG2 INPUT COUPLING	1	See Gear Chart	See Gear Chart	See Gear Chart	See Gear Chart	See Gear Chart
8	SOLID GEAR KEY	1	333696	333706	333775	334564	334624
9	TIGEAR 2 LUBRICANT	1	334862	334862	334862	334862	334862 (2)
10	SOLID SPACER	2	333730	333731	333732	334565	334625
11	LHHCS PLAIN	2	333807	333807	333807	333807	333807
12-13	BEARING CUP/CONE ASSM	2	411626-01-A	335338	411626-01-R	335340	335344
14	BALL BEARING	1	334213	334214	334215	334216	334216
15	BALL BEARING	1	334221	334222	334223	334224	334225
16	TIG2 INPUT SEAL	1	334272	334272	334272	334274	334274
17	O-RING, NITRILE	1	334303	334303	334314	334314	334314
18	TIGEAR 2 NAMEPLATE	1	334305	334305	334305	334305	334305
19	MED LOCKWASHER	2	419009	419009	419009	419009	419009
20-22	SHIM KIT	1	411623-33-B	335330	411623-33-C	335331	335336
23	INTERNAL RET RING	2	278715	411637-02-AC	278717	51334	51335
24	EXTERNAL RET RING	1	411637-02-AP	411637-02-AR	411637-02-BA	334404	333933
25	SOLID GEAR	1	See Gear Chart	See Gear Chart	See Gear Chart	See Gear Chart	See Gear Chart
26	WORMSHAFT	1	See Gear Chart	See Gear Chart	See Gear Chart	See Gear Chart	See Gear Chart
27	PIPE PLUG 1/4" SOC. (1)	2	411647-34-B	411647-34-B	411647-34-B	411647-34-B	411647-34-B
28	MED LOCKWASHER	4	275803	275855	275855	419036	419036
29	HEX HEAD CAP SCREW	4	51929	51952	51952	411483	411484
30	O/P SHAFT, SINGLE EXTN	1	333609	333610	333611	334554	334619
31	O/P RIBBED BORE PLUG	1	334247	334246	334254	334251	334252
32	TIG2 SEAL, OUTPUT	1	334273	334274	334275	334277	334278
33	KEY, OUTPUT	1	333695	333705	333716	55127	55127

(1) Size 400 & 475 uses qty 1

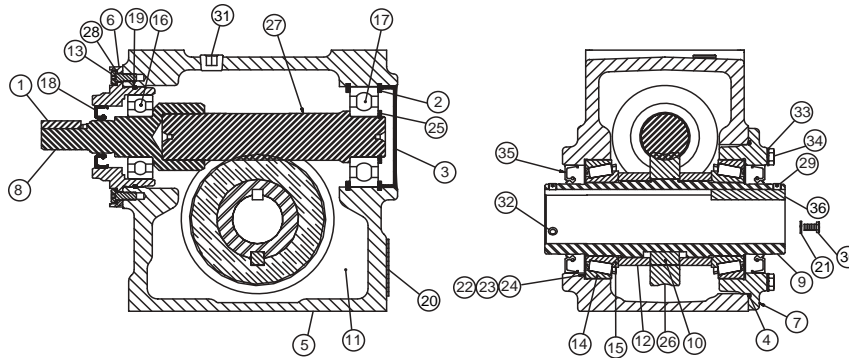
(2) Size 475 requires 266 oz. of lube. Order qty 2 (gal) 334862 & qty 1 (qt.) of 334863.

FEATURES/BENEFITS PAGE 3	SPECIFICATION PAGE 6	NOMENCLATURE PAGE 7	MODIFICATION / ACCESSORIES PAGE 78
-----------------------------	-------------------------	------------------------	---------------------------------------



RENEWAL PARTS

TIGEAR-2 Separate Input / Hollow Output Sizes 13 - 23



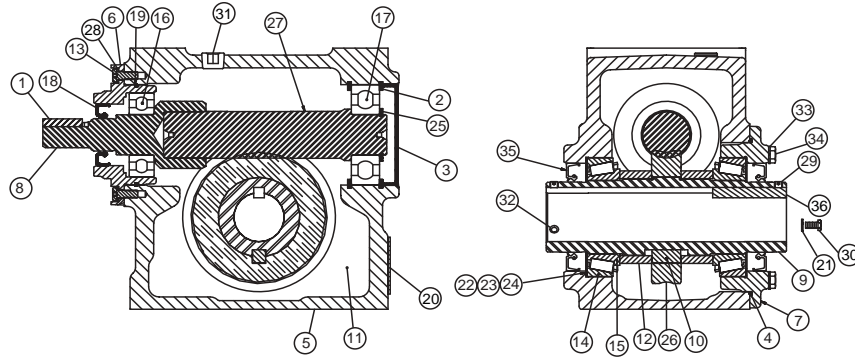
Ref No	Description	Qty	13	15	17	20	23
			Part Number	Part Number	Part Number	Part Number	Part Number
1	INPUT KEY	1	55582	55582	54783	54783	54783
2	INTERNAL RET RING	2	411637-02-AV	411637-02-AV	58256	58256	411637-01-A
3	I/P RIBBED BORE PLUG	1	276005	276005	276001	276001	276002
4	O-RING	1	276019	276019	276134	276355	334307
5	TIG2 HOLLOW GEARCASE	1	333218	333219	333220	333221	333222
6	T2 I/P BRG CARRIER	1	333245	333245	333246	333246	333249
7	T2 HOLLOW BRG HOUSING	1	333281	333281	333282	333283	333284
8	TIG2 SEP INPUT CPLG	1	See Gear Chart	See Gear Chart	See Gear Chart	See Gear Chart	See Gear Chart
9	HOLLOW OUTPUT SHAFT	1	333629	333629	333631	334789	333633
10	H/O GEAR KEY	1	333650	333650	333666	333671	333686
11	TIGEAR 2 LUBRICANT	1	334863	334863	334863	334863	334863
12	HOLLOW O/P SPACER	2	333733	333734	333735	333736	333737
13	LHCS PLAIN	2	333808	333808	333808	333808	333807
14-15	BEARING CUP/CONE ASSM	2	411626-01-A	411626-01-A	335338	335339	335340
16	BALL BEARING	1	334211	334211	334212	334212	334213
17	BALL BEARING.	1	334218	334218	334219	334219	334220
18	INPUT SEAL	1	334270	334270	334271	334271	334272
19	"O-RING, NITRILE	1	334300	334300	334300	334300	334303
20	TIGEAR 2 NAMEPLATE	1	334305	334305	334305	334305	334305
21	MED LOCKWASHER	2	419007	419007	419007	419007	419009
22-24	SHIM KIT	1	411623-33-B	411623-33-B	335330	411623-33-C	335331
25	EXTERNAL RET RING	1	411637-02-E	411637-02-E	411637-02-AV	411637-02-AV	411637-02-N
26	TIG2 WORMSHAFT	1	See Gear Chart	See Gear Chart	See Gear Chart	See Gear Chart	See Gear Chart
27	TIG2 HOLLOW GEAR	1	See Gear Chart	See Gear Chart	See Gear Chart	See Gear Chart	See Gear Chart
28	MED LOCKWASHER	2	419007	419007	419007	419007	419009
29	SET SCREW	2	400140	400140	400140	400140	400140
30	HEX HEAD CAP SCREW	2	58270	58270	333800	333800	51302
31	PIPE PLUG 1/4" SOC.	2	411647-34-B	411647-34-B	411647-34-B	411647-34-B	411647-34-B
32	SET SCREW	4	275953	275953	275953	275953	275953
33	MED LOCKWASHER	4	419009	419009	419010	419010	275803
34	HEX HEAD CAP SCREW	4	51302	51302	411405	411405	51929
35	OUTPUT SEAL T2	2	334273	334273	334274	334276	334277
36	OUTPUT KEY	1	54783	54783	55025	55025	333687

FEATURES/BENEFITS PAGE 3	SPECIFICATION PAGE 6	NOMENCLATURE PAGE 7	MODIFICATION / ACCESSORIES PAGE 78
-----------------------------	-------------------------	------------------------	---------------------------------------



RENEWAL PARTS

TIGEAR-2 Separate Input / Hollow Output Sizes 26 - 47



Ref No	Description	Qty	26	30	35	40	47
			Part Number	Part Number	Part Number	Part Number	Part Number
1	INPUT KEY	1	54783	54783	51744	334561	334561
2	INTERNAL RET RING	2	278715	411637-02-AC	278717	51334	51335
3	I/P RIBBED BORE PLUG	1	334248	276004	276007	334250	334253
4	O-RING	1	334302	334308	276358	334313	334315
5	TIG2 HOLLOW GEARCASE	1	333223	333224	333225	334507	334577
6	T2 I/P BRG CARRIER	1	333249	333250	333253	334508	334508
7	T2 HOLLOW BRG HOUSING	1	333285	333286	333287	334512	334582
8	TIG2 SEP INPUT CPLG	1	See Gear Chart	See Gear Chart	See Gear Chart	See Gear Chart	See Gear Chart
9	HOLLOW OUTPUT SHAFT	1	333634	333635	333636	334556	334621
10	H/O GEAR KEY	1	333670	333712	333717	334564	334624
11	TIGEAR 2 LUBRICANT	1	334862	334862	334862	334862	334862
12	HOLLOW O/P SPACER	2	333738	333739	333740	334566	334626
13	LHHCS PLAIN	2	333807	333807	333807	333807	333807
14-15	BEARING CUP/CONE ASSM	2	411626-01-BJ	335341	335341	335342	335343
16	BALL BEARING	1	334213	334214	334215	334216	334216
17	BALL BEARING.	1	334221	334222	334223	334224	334225
18	INPUT SEAL	1	334272	334272	334272	334274	334274
19	O-RING, NITRILE	1	334303	334303	334314	334314	334314
20	TIGEAR 2 NAMEPLATE	1	334305	334305	334305	334305	334305
21	MED LOCKWASHER	2	419009	419009	419009	419009	419009
22-24	SHIM KIT	1	335332	335333	335333	335334	335335
25	EXTERNAL RET RING	1	411637-02-AP	411637-02-AR	411637-02-BA	334404	333933
26	TIG2 WORMSHAFT	1	See Gear Chart	See Gear Chart	See Gear Chart	See Gear Chart	See Gear Chart
27	TIG2 HOLLOW GEAR	1	See Gear Chart	See Gear Chart	See Gear Chart	See Gear Chart	See Gear Chart
28	MED LOCKWASHER	2	419009	419009	419009	419009	419009
29	SET SCREW	2	400140	400140	400140	400140	275953
30	HEX HEAD CAP SCREW	2	51302	411397	411396	411396	411402
31	PIPE PLUG 1/4" SOC.	2	411647-34-B	411647-34-B	411647-34-B	411647-34-B	411647-34-B
32	SET SCREW	4	275962	275954	275954	333805	333805
33	MED LOCKWASHER	4	275803	275855	275855	419036	419036
34	HEX HEAD CAP SCREW	4	51929	51952	51952	411483	411483
35	OUTPUT SEAL T2	2	334278	334279	334279	334280	334281
36	OUTPUT KEY	1	333687	333709	333709	334563	334623

FEATURES/BENEFITS PAGE 3	SPECIFICATION PAGE 6	NOMENCLATURE PAGE 7	MODIFICATION / ACCESSORIES PAGE 78
-----------------------------	-------------------------	------------------------	---------------------------------------