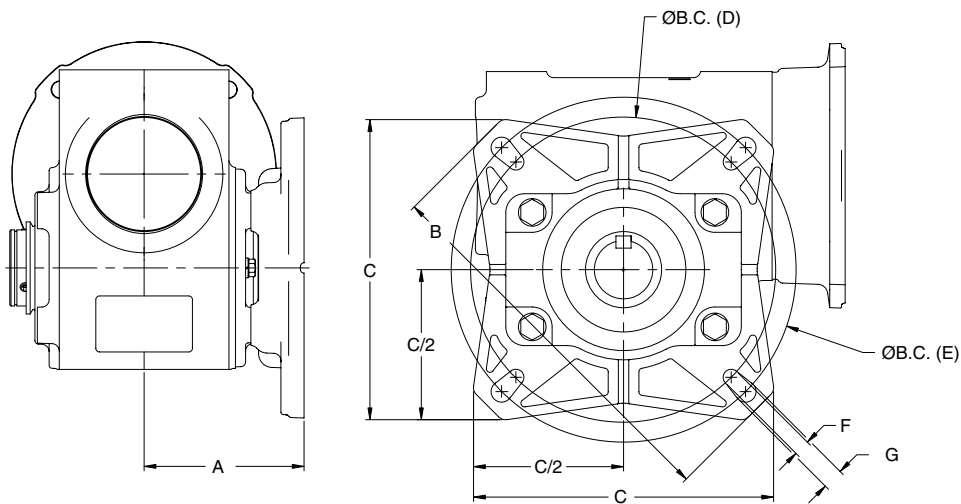


## MODIFICATIONS/ACCESSORIES

### TIGEAR-2

#### CAST OUTPUT FLANGE KIT

The Output Cast Flange Kit is used to mount Hollow Shaft reducers to a flat surface perpendicular to the output shaft. The flange may be substituted for a tie rod kit to restrain reactions. Each kit consists of a flange and required mounting hardware. The Output Flange kit can be mounted to either side of a hollow output reducer. When used with GRIP TIGHT bushings, a single bushing with key must be used and located on the side opposite of the cast output flange.



CASE SIZE	KIT NO.	A	B	C	ØB.C. (D)	Ø B.C. (E)	F	G
13, 15	<b>NOT AVAILABLE</b>							
17	<b>17FLANGE</b>	3.58	8.00	6.24	5.88	7.00	0.34	0.41
20	<b>20FLANGE</b>	3.68	8.00	6.24	5.88	7.00	0.34	0.41
23,26	<b>2326FLANGE</b>	3.94 / 4.03	9.60	7.52	7.50	8.47	0.41	0.51
30,35	<b>3035FLANGE</b>	5.81 / 5.71	11.60	9.00	9.00	10.43	0.56	0.56
40, 47	<b>NOT AVAILABLE</b>							

FEATURES/BENEFITS PAGE 3	SPECIFICATION PAGE 6	NOMENCLATURE PAGE 7	SELECTION/DIMENSIONS PAGE 14
-----------------------------	-------------------------	------------------------	---------------------------------