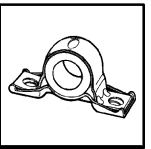
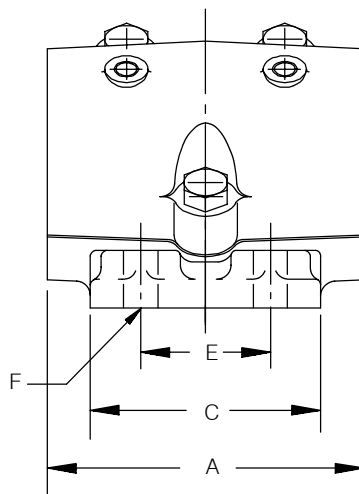
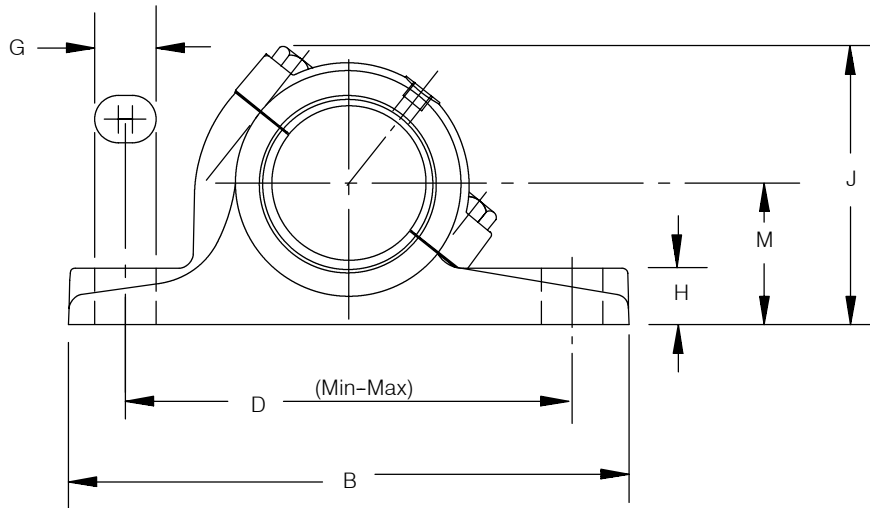


# SELECTION/DIMENSIONS

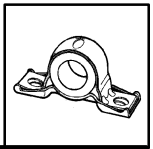


## Sleeve Bearings – Bronze-Bushed

1-15/16" THRU 8" ANGLE BRONZE-BUSHED PILLOW BLOCKS



FEATURES/BENEFITS PAGE B11-2	HOW TO ORDER/ NOMENCLATURE PAGE B11-4	SELECTION PAGE B11-10	REPLACEMENT BRONZE BUSHINGS PAGE B11-12
---------------------------------	---	--------------------------	---



# SELECTION/DIMENSIONS

## Sleeve Bearings – Bronze–Bushed

### 1-15/16" THRU 8" ANGLE BRONZE–BUSHED PILLOW BLOCKS

Shaft	Part Number	Description	Wt.	Used on Frame	A	B	C	D	
								Min.	Max.
1-15/16	231063	P4B-BZA-115	10	HD-200	4	8-1/4	3-1/2	6-5/16	6-11/16
2-3/16	231069	P4B-BZA-203	14	HD-200	4-1/2	8-1/2	3-1/2	6-9/16	6-15/16
2-7/16	231075	P4B-BZA-207	20	HD-200	5	10-1/4	4	7-11/16	8-5/16
2-11/16	231081	P4B-BZA-211	22	HD-250	5-1/2	10-1/2	4-1/4	7-15/16	8-9/16
2-15/16	231087	P4B-BZA-215	28	HD-250	6	11	4-1/2	8-7/16	9-1/16
3-7/16	231096	P4B-BZA-307	46	HD-300	7	13	5	10-1/16	10-15/16
3-15/16	231102	P4B-BZA-315	62	HD-350	8	14-3/4	5-1/2	11-7/16	12-9/16
4-7/16	231108	P4B-BZA-407	85	HD-400	9	16-9/16	6-5/16	12-15/16	14-1/16
4-15/16	231114	P4B-BZA-415	109	HD-400	10	18	7	14-5/16	15-11/16
5-7/16	231120	P4B-BZA-507	142	HD-500	11	19-3/4	8	15-1/16	16-7/16
5-15/16	231126	P4B-BZA-515	180	HD-500	12	20-1/2	8-1/2	15-13/16	17-3/16
6-1/2	231135	P4B-BZA-608	220	...	13	22	9-5/8	17-3/16	18-13/16
7	231141	P4B-BZA-700	275	...	14	23	10	18-1/4	19-3/4
8	231150	P4B-BZA-800	400	...	16	26	11	20-11/16	22-5/16

Shaft	E	F Bolt	G	H	J	M	Cap Bolts Quantity	Grease Cups #		
								Pipe Tap	Qty.	Size
1-15/16	1-3/4	1/2	3/4	7/8	4-11/16	2-1/4	2	1/4	1	1
2-3/16	1-3/4	1/2	3/4	1	5-1/8	2-1/2	2	3/8	1	2
2-7/16	2	5/8	1	1-1/8	5-9/16	2-3/4	2	3/8	1	2
2-11/16	2-1/4	5/8	1	1-1/4	5-7/8	3	2	3/8	1	2
2-15/16	2-1/2	5/8	1	1-3/8	6-3/8	3-1/4	2	3/8	1	2
3-7/16	2-3/4	3/4	1-1/4	1-1/2	7-1/8	3-1/2	2	1/2	1	3
3-15/16	3	3/4	1-3/8	1-5/8	7-1/2	3-3/4	3	1/2	1	4
4-7/16	3-1/2	7/8	1-1/2	1-3/4	8-1/2	4-1/8	3	1/2	1	4
4-15/16	4	7/8	1-5/8	1-7/8	9-3/16	4-1/2	3	1/2	1	4
5-7/16	4-1/2	1	1-7/8	2	10-1/4	5	3	1/2	2	3
5-15/16	5	1-1/8	1-7/8	2-3/16	11-1/16	5-1/2	3	1/2	2	3
6-1/2	5-1/2	1-1/8	2	2-1/4	12-1/8	6	4	1/2	2	4
7	6	1-1/4	2	2-3/8	13	6-1/2	4	1/2	2	4
8	6-3/4	1-3/8	2-1/4	2-1/2	14-1/16	7	4	1/2	2	4

# Grease cups or pressure fittings may be obtained thru our distributors; one required per pillow block up thru 4-15/16" sizes and two required for balance of sizes.

Note: 1-15/16 – 3-7/16" sizes have 2 cap bolts  
 3-15/16 – 5-15/16 sizes have 3 cap bolts (shown in diagram)  
 6-1/2" and larger have 4 cap bolts

FEATURES/BENEFITS PAGE B11-2	HOW TO ORDER/ NOMENCLATURE PAGE B11-4	SELECTION PAGE B11-10	REPLACEMENT BRONZE BUSHINGS PAGE B11-12
---------------------------------	---	--------------------------	---