

# PRODUCT INFORMATION PACKET



Model No: C42P17NZ2B

Catalog No: 096001.00

PE350...180:1.9/8RPM.341LBIN..08HP.L42Y....115/230V.1PH.60/50HZ.TENV.C42P17NZ2B

PE350 Series



Regal and Leeson are trademarks of Regal Beloit Corporation or one of its affiliated companies.

©2018 Regal Beloit Corporation, All Rights Reserved. MC017097E





### Nameplate Specifications

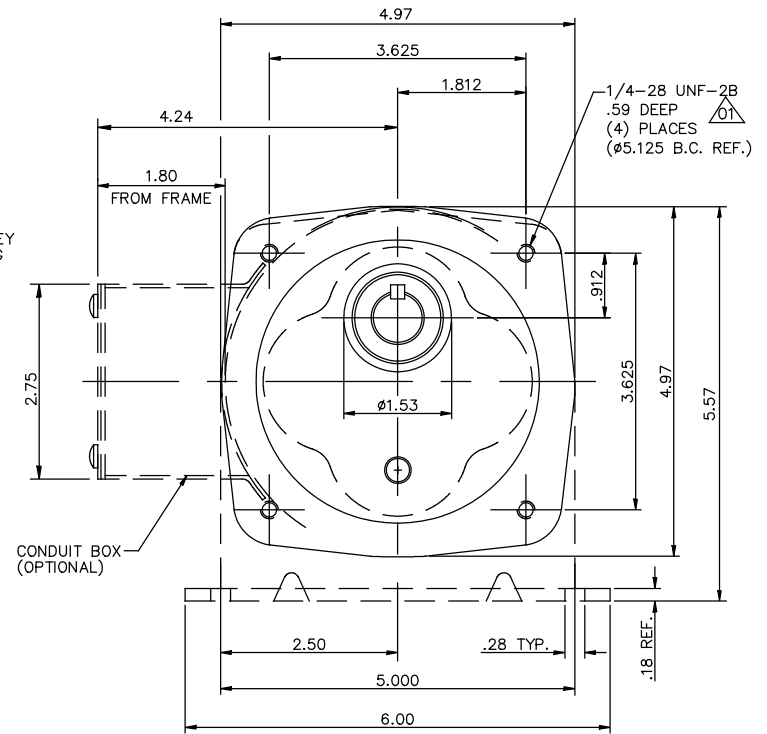
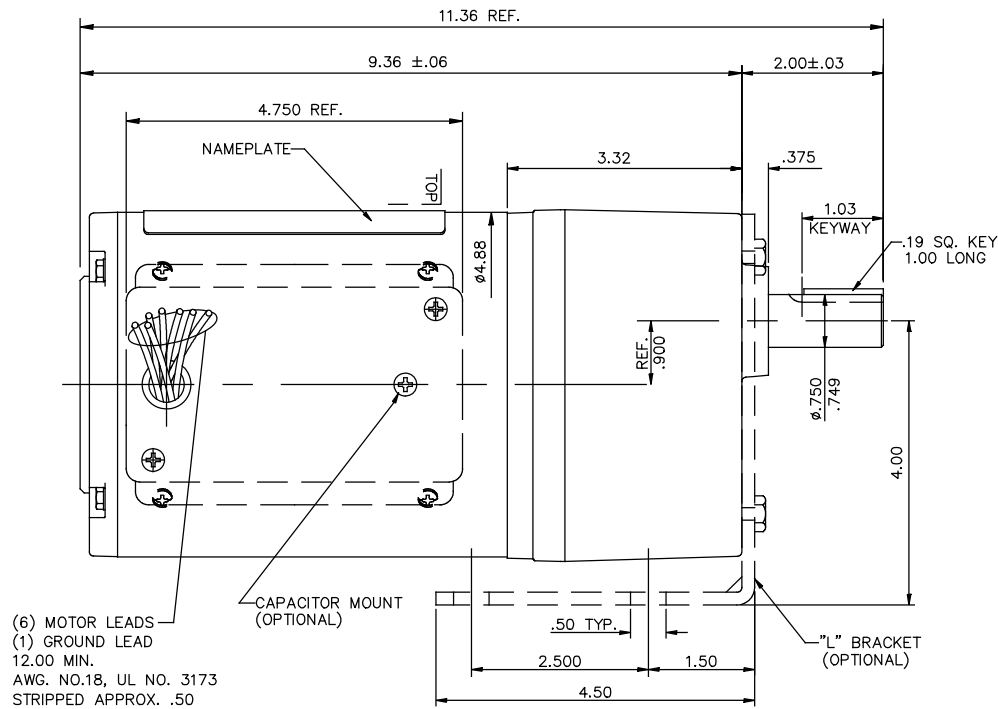
Output HP	<b>0.08 Hp</b>	Output KW	<b>0.06 kW</b>
Frequency	<b>60 Hz</b>	Voltage	<b>110 V</b>
Current	<b>1.3/0.65 A</b>	Speed	<b>9 rpm</b>
Service Factor	<b>1</b>	Phase	<b>1</b>
Duty	<b>Continuous</b>	Insulation Class	<b>F</b>
KVA Code	<b>G</b>	Frame	<b>L42Y</b>
Enclosure	<b>Totally Enclosed Non Ventilated</b>	Overload Protector	<b>No</b>
Ambient Temperature	<b>40 °C</b>	Drive End Bearing Size	<b>6203</b>
Opp Drive End Bearing Size	<b>6201</b>	UL	<b>Recognized</b>
CSA	<b>Y</b>	CE	<b>N</b>

### Technical Specifications

Rotation	<b>Reversible</b>	Mounting	<b>Special</b>
Shaft Type	<b>Parallel</b>	Overall Length	<b>11.36 in</b>
Frame Length	<b>5.50 in</b>	Shaft Diameter	<b>0.750 in</b>
Shaft Extension	<b>1.625 in</b>		
Outline Drawing	<b>027690-096001</b>	Connection Diagram	<b>005108.05</b>

This is an uncontrolled document once printed or downloaded and is subject to change without notice. Date Created: 10/15/2018

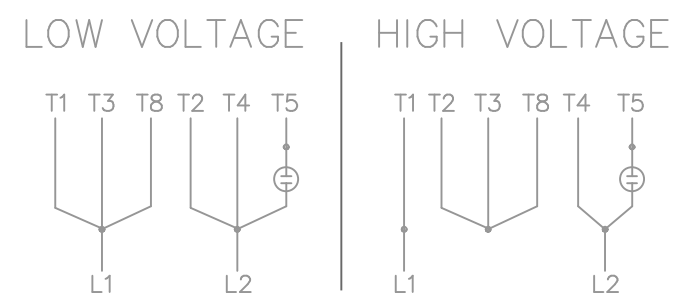
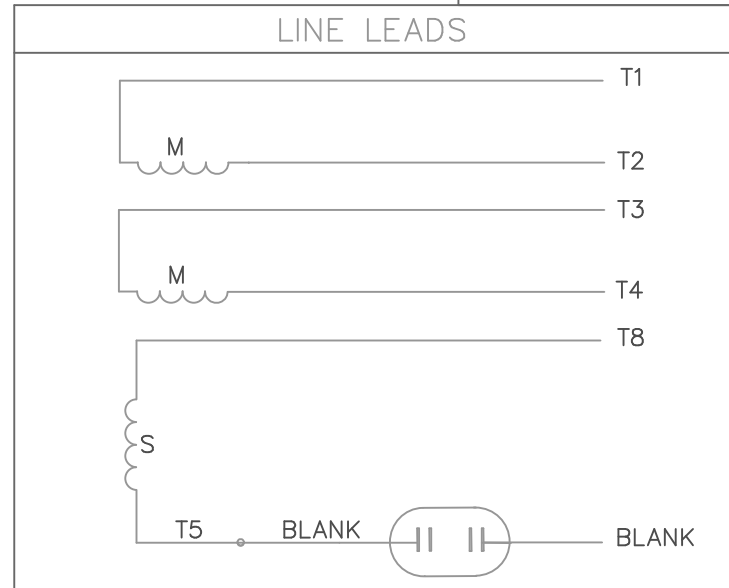
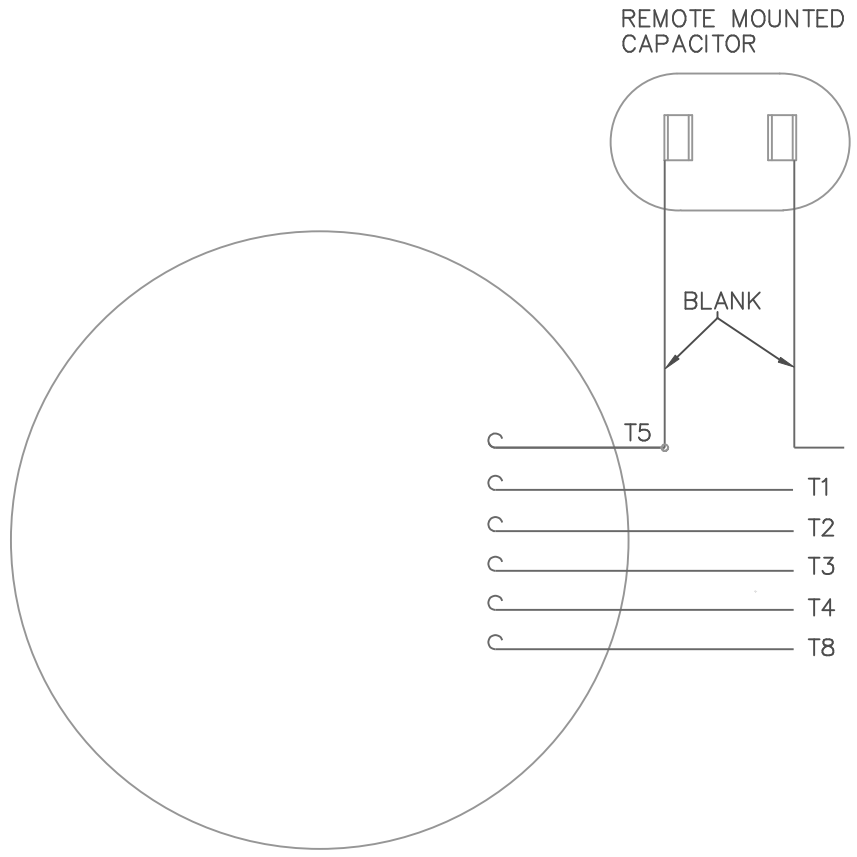
027690



CATALOG NUMBER	OUTPUT RPM	FULL LOAD TORQUE LB.-IN.	INPUT HP	OVERHUNG LOAD LBS.	RATIO TO 1
096000.00	5	310	1/12	565	336
096001.00	9	341	1/12	491	180
096002.00	14	280	1/12	459	124
096003.00	19	250	1/12	374	91

				TOLERANCES UNLESS OTHERWISE SPECIFIED		<b>LEESON ELECTRIC CORPORATION</b>			
				DECIMALS		DRAWN DWF 7/14/97			
				.00	± .01	CH'K'D.		TITLE	
				.000	± .005	APPR.		OUTLINE DRAWING	
				.0000	± .0005	MAT'L		42 FRAME PE350 STOCK	
NO.	REVISION	BY	DATE	FRACTIONS	± 1/64	SCALE	1=1.5		
01	THREAD DEPTH WAS .63"	JD	06/06/17	ANGLES	± 1/2°	REF.	027689	FINISH	LEESON
				INCH/MM		FMF	096000.00	STOCK	SIZE B
									DRAWING NO.
									027690
THIS DRAWING IN DESIGN AND DETAIL IS OUR PROPERTY AND MUST NOT BE USED EXCEPT IN CONNECTION WITH OUR WORK. ALL RIGHTS OF DESIGN AND INVENTION ARE RESERVED.									

VIEW FROM OUTSIDE OF MOTOR AT LEAD END.



2 STAGE:  
C.C.W. ROTATION FACING LEAD END AS SHOWN  
INTERCHANGE LEADS T5 & T8 FOR C.W.

3 STAGE:  
CW ROTATION FACING LEAD END AS SHOWN  
INTERCHANGE LEADS T5 & T8 FOR CCW

				TOLERANCES UNLESS OTHERWISE SPECIFIED		<b>LEESON</b> ELECTRIC CORPORATION				
				DECIMALS						
				.00	± .01	DRAWN DBT 07/21/97	TITLE			
				.000	± .005	CH'K'D.	EXTERNAL WIRING DIAGRAM TYPE "P" W/O PROTECTOR			
				.0000	± .0005	APPR.	MAT'L.			
NO.	REVISION	BY	DATE	FRACTIONS	± 1/64	SCALE	TAG - 080689.02 - 2 STAGE TAG - 080689.01 - 3 STAGE			
THIS DRAWING IN DESIGN AND DETAIL IS OUR PROPERTY AND MUST NOT BE USED EXCEPT IN CONNECTION WITH OUR WORK ALL RIGHTS OF DESIGN AND INVENTION ARE RESERVED				ANGLES	± 1/2°	REF.	FINISH		SIZE	DRAWING NO.
				INCH/MM		FMF	GEARMOTORS		A	005108-05