

SELECTION/DIMENSIONS

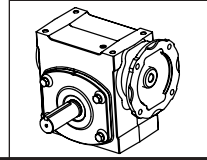
TIGEAR-2 QUILL INPUT - SIZE 17

RATIO	OUTPUT RPM	RATING DATA 1750 INPUT RPM		PART NUMBER		SHAFT POSITION
				56C	140TC	
5	350	Mechanical Input Hp	2.59	17Q05L56	17Q05L14	L
		Thermal Input Hp	3.97	17Q05R56	17Q05R14	R
		Output Torque (lb in.)	430	17Q05LR56	17Q05LR14	LR
		Mechanical Output Hp	2.39	17Q05H56	17Q05H14	HOLLOW
		Output OHL (lbs.)	1050			
7.5	233	Mechanical Input Hp	2.06	17Q07L56	17Q07L14	L
		Thermal Input Hp	3.42	17Q07R56	17Q07R14	R
		Output Torque (lb in.)	500	17Q07LR56	17Q07LR14	LR
		Mechanical Output Hp	1.88	17Q07H56	17Q07H14	HOLLOW
		Output OHL (lbs.)	1190			
10	175	Mechanical Input Hp	1.67	17Q10L56	17Q10L14	L
		Thermal Input Hp	2.76	17Q10R56	17Q10R14	R
		Output Torque (lb in.)	534	17Q10LR56	17Q10LR14	LR
		Mechanical Output Hp	1.48	17Q10H56	17Q10H14	HOLLOW
		Output OHL (lbs.)	1190			
15	117	Mechanical Input Hp	1.27	17Q15L56	17Q15L14	L
		Thermal Input Hp	2.01	17Q15R56	17Q15R14	R
		Output Torque (lb in.)	583	17Q15LR56	17Q15LR14	LR
		Mechanical Output Hp	1.08	17Q15H56	17Q15H14	HOLLOW
		Output OHL (lbs.)	1190			
20	88	Mechanical Input Hp	1.03	17Q20L56	17Q20L14	L
		Thermal Input Hp	1.58	17Q20R56	17Q20R14	R
		Output Torque (lb in.)	602	17Q20LR56	17Q20LR14	LR
		Mechanical Output Hp	0.84	17Q20H56	17Q20H14	HOLLOW
		Output OHL (lbs.)	1190			
25	70	Mechanical Input Hp	0.88	17Q25L56		L
		Thermal Input Hp	1.28	17Q25R56		R
		Output Torque (lb in.)	609	17Q25LR56		LR
		Mechanical Output Hp	0.68	17Q25H56		HOLLOW
		Output OHL (lbs.)	1190			
30	58	Mechanical Input Hp	0.76	17Q30L56		L
		Thermal Input Hp	1.20	17Q30R56		R
		Output Torque (lb in.)	615	17Q30LR56		LR
		Mechanical Output Hp	0.57	17Q30H56		HOLLOW
		Output OHL (lbs.)	1190			
40	44	Mechanical Input Hp	0.60	17Q40L56		L
		Thermal Input Hp	1.09	17Q40R56		R
		Output Torque (lb in.)	627	17Q40LR56		LR
		Mechanical Output Hp	0.43	17Q40H56		HOLLOW
		Output OHL (lbs.)	1190			
50	35	Mechanical Input Hp	0.51	17Q50L56		L
		Thermal Input Hp	0.90	17Q50R56		R
		Output Torque (lb in.)	608	17Q50LR56		LR
		Mechanical Output Hp	0.34	17Q50H56		HOLLOW
		Output OHL (lbs.)	1190			
60	29	Mechanical Input Hp	0.43	17Q60L56		L
		Thermal Input Hp	0.80	17Q60R56		R
		Output Torque (lb in.)	576	17Q60LR56		LR
		Mechanical Output Hp	0.27	17Q60H56		HOLLOW
		Output OHL (lbs.)	1190			

Note: Reducers are shipped without a mounting base. Order bolt-on base kit **17BASE** if required.

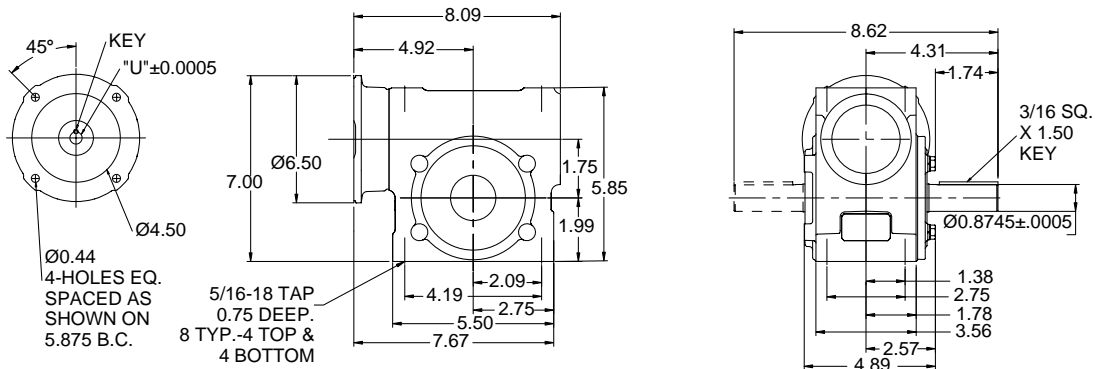
FEATURES/BENEFITS PAGE 3	SPECIFICATION PAGE 6	NOMENCLATURE PAGE 7	MODIFICATION / ACCESSORIES PAGE 78
-----------------------------	-------------------------	------------------------	---------------------------------------

SELECTION/DIMENSIONS

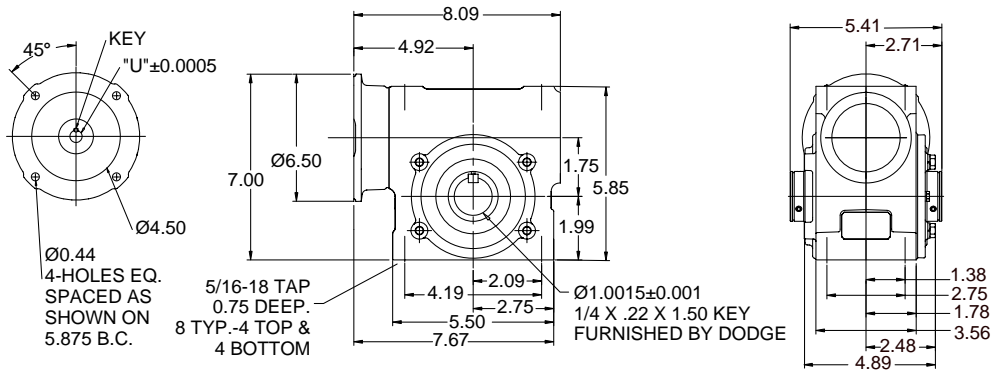


TIGEAR-2 QUILL INPUT - SIZE 17

SOLID OUTPUT

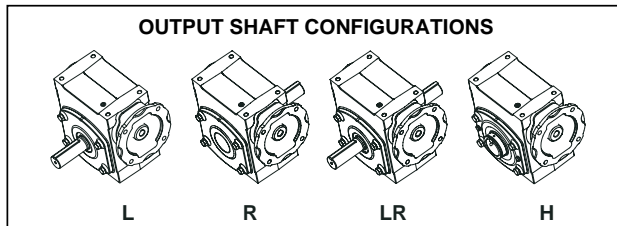


HOLLOW OUTPUT

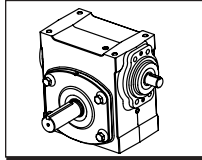


MOTOR FRAME	"U"	KEY
48Y 56C	.626	3/16 SQ. x 1.50 KEY
140TC 160ATC	.876	3/16 SQ x 1.50 KEY

OUTPUT SHAFT CONFIGURATIONS



FEATURES/BENEFITS PAGE 3	SPECIFICATION PAGE 6	NOMENCLATURE PAGE 7	MODIFICATION / ACCESSORIES PAGE 78
-----------------------------	-------------------------	------------------------	---------------------------------------



SELECTION/DIMENSIONS

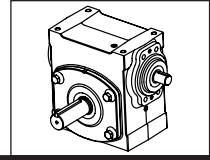
TIGEAR-2 SEPARATE INPUT - SIZE 17

RATIO	OUTPUT RPM	RATING DATA 1750 INPUT RPM		SEPARATE REDUCER	SHAFT POSITION	OPTIONAL MOTOR ADAPTER KIT	
						56C	140TC
5	350	Mechanical Input Hp	2.59	17S05L	L	1720MTR56	1720MTR14
		Thermal Input Hp	3.97	17S05R	R		
		Output Torque (lb in.)	430	17S05LR	LR		
		Mechanical Output Hp	2.39	17S05H	HOLLOW		
		Output OHL (lbs.)	1050				
7.5	233	Mechanical Input Hp	2.06	17S07L	L	1720MTR56	1720MTR14
		Thermal Input Hp	3.42	17S07R	R		
		Output Torque (lb in.)	500	17S07LR	LR		
		Mechanical Output Hp	1.88	17S07H	HOLLOW		
		Output OHL (lbs.)	1190				
10	175	Mechanical Input Hp	1.67	17S10L	L	1720MTR56	1720MTR14
		Thermal Input Hp	2.76	17S10R	R		
		Output Torque (lb in.)	534	17S10LR	LR		
		Mechanical Output Hp	1.48	17S10H	HOLLOW		
		Output OHL (lbs.)	1190				
15	117	Mechanical Input Hp	1.27	17S15L	L	1720MTR56	1720MTR14
		Thermal Input Hp	2.01	17S15R	R		
		Output Torque (lb in.)	583	17S15LR	LR		
		Mechanical Output Hp	1.08	17S15H	HOLLOW		
		Output OHL (lbs.)	1190				
20	88	Mechanical Input Hp	1.03	17S20L	L	1720MTR56	1720MTR14
		Thermal Input Hp	1.58	17S20R	R		
		Output Torque (lb in.)	602	17S20LR	LR		
		Mechanical Output Hp	0.84	17S20H	HOLLOW		
		Output OHL (lbs.)	1190				
25	70	Mechanical Input Hp	0.88	17S25L	L	1720MTR56	
		Thermal Input Hp	1.28	17S25R	R		
		Output Torque (lb in.)	609	17S25LR	LR		
		Mechanical Output Hp	0.68	17S25H	HOLLOW		
		Output OHL (lbs.)	1190				
30	58	Mechanical Input Hp	0.76	17S30L	L	1720MTR56	
		Thermal Input Hp	1.20	17S30R	R		
		Output Torque (lb in.)	615	17S30LR	LR		
		Mechanical Output Hp	0.57	17S30H	HOLLOW		
		Output OHL (lbs.)	1190				
40	44	Mechanical Input Hp	0.60	17S40L	L	1720MTR56	
		Thermal Input Hp	1.09	17S40R	R		
		Output Torque (lb in.)	627	17S40LR	LR		
		Mechanical Output Hp	0.43	17S40H	HOLLOW		
		Output OHL (lbs.)	1190				
50	35	Mechanical Input Hp	0.51	17S50L	L	1720MTR56	
		Thermal Input Hp	0.90	17S50R	R		
		Output Torque (lb in.)	608	17S50LR	LR		
		Mechanical Output Hp	0.34	17S50H	HOLLOW		
		Output OHL (lbs.)	1190				
60	29	Mechanical Input Hp	0.43	17S60L	L	1720MTR56	
		Thermal Input Hp	0.80	17S60R	R		
		Output Torque (lb in.)	576	17S60LR	LR		
		Mechanical Output Hp	0.27	17S60H	HOLLOW		
		Output OHL (lbs.)	1190				
All Ratios		Input OHL (lbs)	140	One diameter from seal surface			

Note: TIGEAR-2 separate reducers cannot be used with the old Adaptable TIGEAR motor adapter kits.

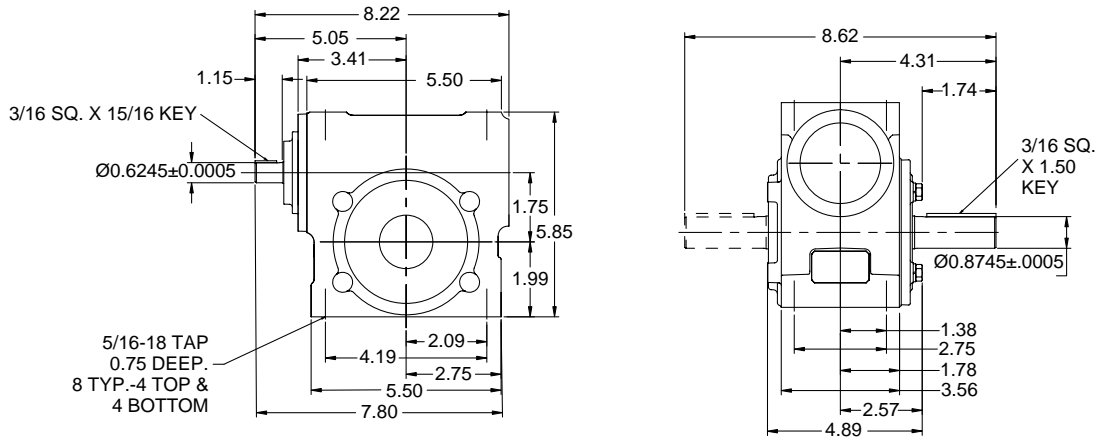
FEATURES/BENEFITS PAGE 3	SPECIFICATION PAGE 6	NOMENCLATURE PAGE 7	MODIFICATION / ACCESSORIES PAGE 78
-----------------------------	-------------------------	------------------------	---------------------------------------

SELECTION/DIMENSIONS

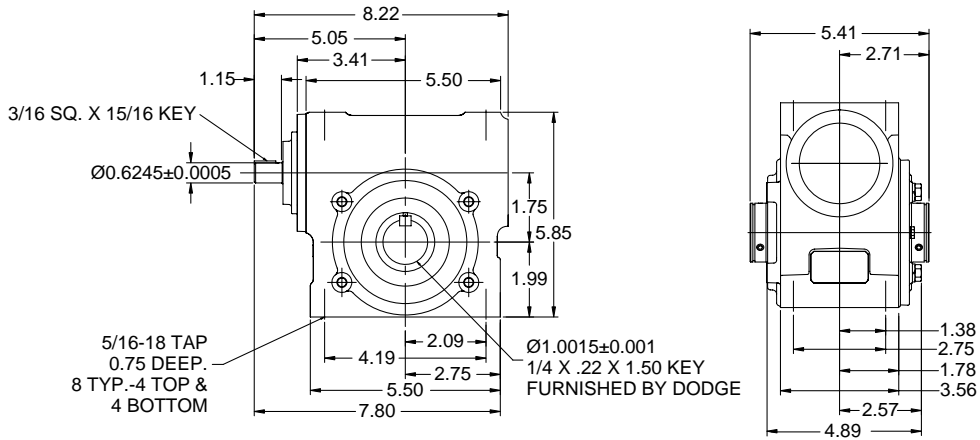


TIGEAR-2 SEPARATE INPUT - SIZE 17

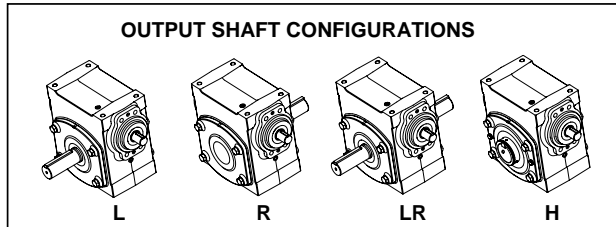
SOLID OUTPUT



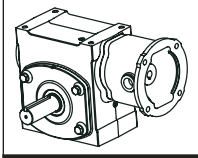
HOLLOW OUTPUT



OUTPUT SHAFT CONFIGURATIONS



FEATURES/BENEFITS PAGE 3	SPECIFICATION PAGE 6	NOMENCLATURE PAGE 7	MODIFICATION / ACCESSORIES PAGE 78
-----------------------------	-------------------------	------------------------	---------------------------------------



SELECTION/DIMENSIONS

TIGEAR-2 COUPLED INPUT - ADAPTER ASSEMBLY - SIZE 17

Coupled input units include a Separate reducer and motor adapter kit assembled together.

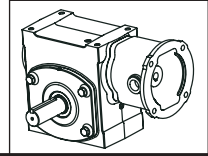
These assemblies are normally "made to order" with a 5 day standard lead time.

RATIO	OUTPUT RPM	RATING DATA 1750 INPUT RPM		PART NUMBER		SHAFT POSITION
				56C	140TC	
5	350	Mechanical Input Hp	2.59	17A05L56	17A05L14	L
		Thermal Input Hp	3.97	17A05R56	17A05R14	R
		Output Torque (lb in.)	430	17A05LR56	17A05LR14	LR
		Mechanical Output Hp	2.39	17A05H56	17A05H14	HOLLOW
		Output OHL (lbs.)	1050			
7.5	233	Mechanical Input Hp	2.06	17A07L56	17A07L14	L
		Thermal Input Hp	3.42	17A07R56	17A07R14	R
		Output Torque (lb in.)	500	17A07LR56	17A07LR14	LR
		Mechanical Output Hp	1.88	17A07H56	17A07H14	HOLLOW
		Output OHL (lbs.)	1190			
10	175	Mechanical Input Hp	1.67	17A10L56	17A10L14	L
		Thermal Input Hp	2.76	17A10R56	17A10R14	R
		Output Torque (lb in.)	534	17A10LR56	17A10LR14	LR
		Mechanical Output Hp	1.48	17A10H56	17A10H14	HOLLOW
		Output OHL (lbs.)	1190			
15	117	Mechanical Input Hp	1.27	17A15L56	17A15L14	L
		Thermal Input Hp	2.01	17A15R56	17A15R14	R
		Output Torque (lb in.)	583	17A15LR56	17A15LR14	LR
		Mechanical Output Hp	1.08	17A15H56	17A15H14	HOLLOW
		Output OHL (lbs.)	1190			
20	88	Mechanical Input Hp	1.03	17A20L56	17A20L14	L
		Thermal Input Hp	1.58	17A20R56	17A20R14	R
		Output Torque (lb in.)	602	17A20LR56	17A20LR14	LR
		Mechanical Output Hp	0.84	17A20H56	17A20H14	HOLLOW
		Output OHL (lbs.)	1190			
25	70	Mechanical Input Hp	0.88	17A25L56		L
		Thermal Input Hp	1.28	17A25R56		R
		Output Torque (lb in.)	609	17A25LR56		LR
		Mechanical Output Hp	0.68	17A25H56		HOLLOW
		Output OHL (lbs.)	1190			
30	58	Mechanical Input Hp	0.76	17A30L56		L
		Thermal Input Hp	1.20	17A30R56		R
		Output Torque (lb in.)	615	17A30LR56		LR
		Mechanical Output Hp	0.57	17A30H56		HOLLOW
		Output OHL (lbs.)	1190			
40	44	Mechanical Input Hp	0.60	17A40L56		L
		Thermal Input Hp	1.09	17A40R56		R
		Output Torque (lb in.)	627	17A40LR56		LR
		Mechanical Output Hp	0.43	17A40H56		HOLLOW
		Output OHL (lbs.)	1190			
50	35	Mechanical Input Hp	0.51	17A50L56		L
		Thermal Input Hp	0.90	17A50R56		R
		Output Torque (lb in.)	608	17A50LR56		LR
		Mechanical Output Hp	0.34	17A50H56		HOLLOW
		Output OHL (lbs.)	1190			
60	29	Mechanical Input Hp	0.43	17A60L56		L
		Thermal Input Hp	0.80	17A60R56		R
		Output Torque (lb in.)	576	17A60LR56		LR
		Mechanical Output Hp	0.27	17A60H56		HOLLOW
		Output OHL (lbs.)	1190			

Note: Reducers are shipped without a mounting base. Order bolt-on base kit **17BASE** if required.

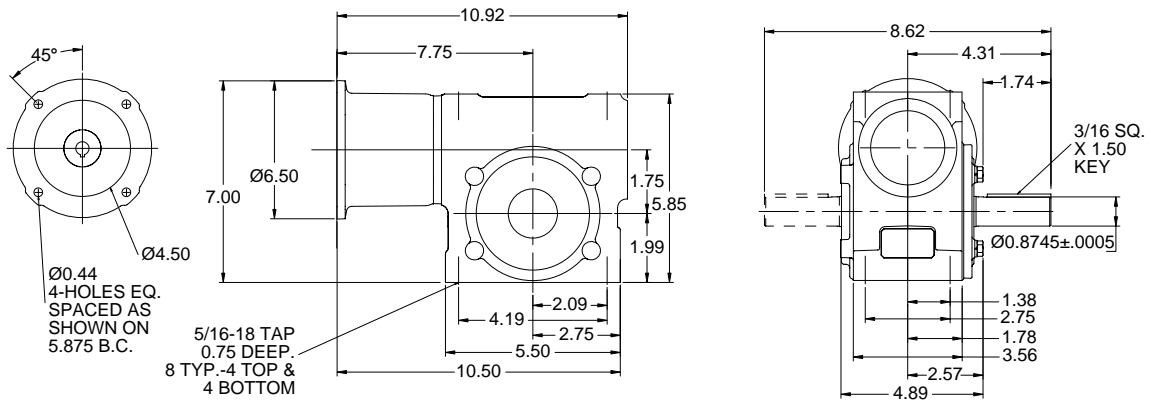
FEATURES/BENEFITS PAGE 3	SPECIFICATION PAGE 6	NOMENCLATURE PAGE 7	MODIFICATION / ACCESSORIES PAGE 78
-----------------------------	-------------------------	------------------------	---------------------------------------

SELECTION/DIMENSIONS

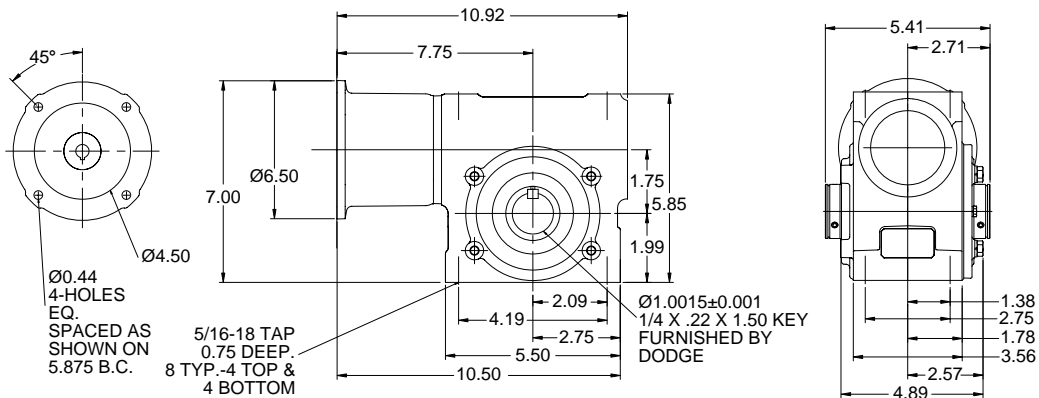


TIGEAR-2 COUPLED INPUT - ADAPTER ASSEMBLY - SIZE 17

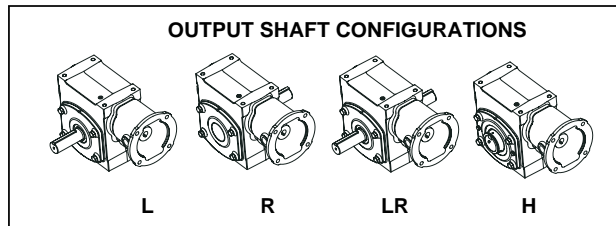
SOLID OUTPUT



HOLLOW OUTPUT



OUTPUT SHAFT CONFIGURATIONS



FEATURES/BENEFITS PAGE 3	SPECIFICATION PAGE 6	NOMENCLATURE PAGE 7	MODIFICATION / ACCESSORIES PAGE 78
-----------------------------	-------------------------	------------------------	---------------------------------------