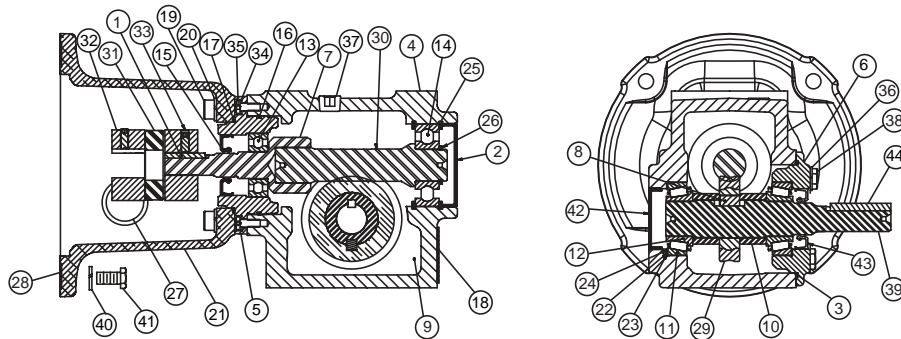




RENEWAL PARTS

TIGEAR-2 Coupled Input / Solid Output Sizes 13 - 23



Ref No	Description	Qty	13	15	17	20	23
			Part Number	Part Number	Part Number	Part Number	Part Number
1	INPUT KEY	1	55582	55582	54783	54783	54783
2	INPUT BORE PLUG	1	276005	276005	276001	276001	276002
3	O-RING	1	276019	276019	276134	276355	334307
4	TIG2 SOLID GEARCASE	1	333210	333211	333212	333213	333214
5	T2 INPUT BRG CARRIER	1	333245	333245	333246	333246	333249
6	T2 SOLID BRG HSG	1	333265	333265	333266	333267	333268
7	TIG2 INPUT CPLG	1	See Gear Chart	See Gear Chart	See Gear Chart	See Gear Chart	See Gear Chart
8	SOLID GEAR KEY	1	333650	333661	333666	333671	333686
9	TIGEAR 2 LUBRICANT	7	334863	334863	334863	334863	334862
10	SOLID SPACER	2	333725	333726	333727	333728	333729
11-12	BEARING CUP/CONE ASSEMBLY	2	335337	335337	411626-01-C	411626-01-A	411626-01-A
13	BALL BRG. C3 CLRNC	1	334211	334211	334212	334212	334213
14	BALL BRG. C3 CLRNC	1	334218	334218	334219	334219	334220
15	TIG2 SEAL, INPUT	1	334270	334270	334271	334271	334272
16	O-RING, NITRILE	1	334300	334300	334300	334300	334303
17	O-RING, NITRILE	1	334304	334304	334304	334304	276355
18	NAMEPLATE T2	1	334305	334305	334305	334305	334305
19	CAP SCREW 56-140	4	417371	417371	417371	417371	417111
	SOCKET HEAD CAP SCR 180-210	1	----	----	----	----	----
20	MED LOCKWASHER	4	419010	419010	419010	419010	275803
21	MOTOR ADAPTER 56-140	1	333236	333236	333236	333236	333237
	MOTOR ADPT PLT-BOLT ON 180 (1)	1	----	----	----	----	079067-22-AB
	MOTOR ADPT PLT-BOLT ON 210 (2)	1	----	----	----	----	
	MOTOR ADPT PLT-BOLT ON 250 (2)	1	----	----	----	----	----
22-24	SHIM KIT	1	411642-46-E	411642-46-E	411623-33-A	411623-33-B	411623-33-B
25	INT RING	2	411637-02-AV	411637-02-AV	58256	58256	411637-01-A
26	EXT RING	1	411637-02-E	411637-02-E	411637-02-AY	411637-02-AY	411637-02-N
27	DUST CAP 1" HOLE	1	411709-65-H	411709-65-H	411709-65-H	411709-65-H	411709-65-H
28	56/140 MTR ADPT GASKET	1	602028-43-F	602028-43-F	602028-43-F	602028-43-F	602028-43-F
	MOTOR ADPT GASKET 180-210	1	----	----	----	----	276335

(1) Adpt plate 07906722AB bolts onto 56/140 adpt & accepts 180 motor. Adpt 333239 is one piece complete and accepts 180 motor.

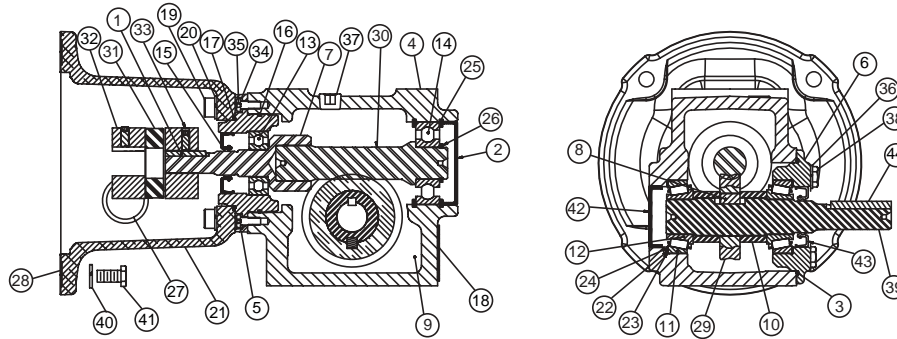
(2) Adapter plate bolts onto 180 adapter 333239.

FEATURES/BENEFITS PAGE 3	SPECIFICATION PAGE 6	NOMENCLATURE PAGE 7	MODIFICATION / ACCESSORIES PAGE 78
-----------------------------	-------------------------	------------------------	---------------------------------------



RENEWAL PARTS

TIGEAR-2 Coupled Input / Solid Output Sizes 13 - 23



Ref No	Description	Qty	13	15	17	20	23
			Part Number	Part Number	Part Number	Part Number	Part Number
29	TIG2 SOLID GEAR	1	See Gear Chart	See Gear Chart	See Gear Chart	See Gear Chart	See Gear Chart
30	TIG2 WORMSHAFT	1	See Gear Chart	See Gear Chart	See Gear Chart	See Gear Chart	See Gear Chart
31	COUPLING SPIDER 56 MTR	1	278911	278911	278911	278911	278911
	COUPLING SPIDER 140 MTR	1	----	----	278912	278912	278912
	COUPLING SPIDER 180 MTR	1	----	----	----	----	275794
	COUPLING SPIDER 210-250 MTR	1	----	----	----	----	----
32	5/8 COUPLING, 56 MOTOR	1	278900	278900	278900	278900	278900
	7/8 COUPLING, 140 MOTOR	1	----	----	276169	276169	276169
	1-1/8 COUPLING, 180 MOTOR	1	----	----	----	----	278907
	1-3/8 COUPLING, 210 MOTOR	1	----	----	----	----	----
	1-3/8 COUPLING, 250 MOTOR	1	----	----	----	----	----
33	COUPLING HUB, REDUCER 56	1	334309	334309	278900	278900	278901
	COUPLING HUB, REDUCER 140	1	----	----	334306	334306	276169
	COUPLING HUB, REDUCER 180	1	----	----	----	----	275806
	COUPLING HUB, REDUCER 210-250	1	----	----	----	----	----
34	MED LOCKWASHER	2	419007	419007	419007	419007	419009
35	LHHCS PLAIN	2	333808	333808	333808	333808	333807
36	MED LOCKWASHER	4	419009	419009	419010	419010	275803
37	*PIPE PLUG 1/4" SOC.	2	411647-34-B	411647-34-B	411647-34-B	411647-34-B	411647-34-B
38	HEX HEAD CAP SCREW	4	51302	51302	411405	411405	51929
39	T2 SGL SOLID OUTPUT SHAFT	1	333604	333605	333606	333607	333608
40	LOCK WASHER 56-140	4	275803	275803	275803	275803	275803
	LOCK WASHER 210-250	4	----	----	----	----	----
41	3/8-16 X 1 HHCS PLN ZC 56-140	4	51929	51929	51929	51929	51929
	SOC HD CAP SCREW 180	4	----	----	----	----	411631-63-A
	HEX HD CAP SCREW 210	4	----	----	----	----	----
	HEX HD CAP SCREW 250	4	----	----	----	----	----
42	OUTPUT BORE PLUG	1	276008	276008	334245	334247	334247
43	TIG2 SEAL, OUTPUT	1	334271	334271	334272	334273	334273
44	KEY, OUTPUT SHAFT	1	333665	333660	333665	55025	333685

(1) Adpt plate 07906722AB bolts onto 56/140 adpt & accepts 180 motor. Adpt 333239 is one pice complete and accepts 180 motor.

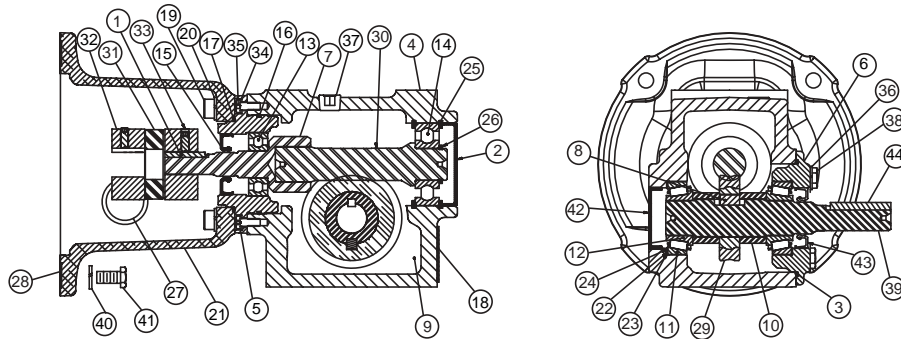
(2) Adapter plate bolts onto 180 adapter 333239.

FEATURES/BENEFITS PAGE 3	SPECIFICATION PAGE 6	NOMENCLATURE PAGE 7	MODIFICATION / ACCESSORIES PAGE 78
-----------------------------	-------------------------	------------------------	---------------------------------------



RENEWAL PARTS

TIGEAR-2 Coupled Input / Solid Output Sizes 26 - 47



Ref No	Description	Qty	26	30	35	40	47
			Part Number	Part Number	Part Number	Part Number	Part Number
1	INPUT KEY	1	54783	54783	51744	334561	334561
2	INPUT BORE PLUG	1	334248	276004	276007	334250	334253
3	O-RING	1	334302	334308	276358	334313	334315
4	TIG2 SOLID GEARCASE	1	333215	333216	333217	334506	334576
5	T2 INPUT BRG CARRIER	1	333249	333250	333253	334508	334508
6	T2 SOLID BRG HSG	1	333269	333270	333271	334510	334580
7	TIG2 INPUT CPLG	1	See Gear Chart	See Gear Chart	See Gear Chart	See Gear Chart	334517
8	SOLID GEAR KEY	1	333696	333706	333775	334564	334624
9	TIGEAR 2 LUBRICANT	7	334862	334862	334862	334862	334862
10	SOLID SPACER	2	333730	333731	333732	334565	334625
11-12	BEARING CUP/CONE ASSEMBLY	2	411626-01-A	335338	411626-01-R	335340	335344
13	BALL BRG. C3 CLRNC	1	334213	334214	334215	334216	334216
14	BALL BRG. C3 CLRNC	1	334221	334222	334223	334224	334225
15	TIG2 SEAL, INPUT	1	334272	334272	334272	334274	334274
16	O-RING, NITRILE	1	334303	334303	334314	334314	334314
17	O-RING, NITRILE	1	276355	276355	276355	276355	276355
18	NAMEPLATE T2	1	334305	334305	334305	334305	334305
19	CAP SCREW 56-140	4	417111	417111	334895	-----	-----
	SOCKET HEAD CAP SCR 180-210	1	-----	-----	334373	334373	334373
20	MED LOCKWASHER	4	275803	275803	275855	333783	333783
	MOTOR ADAPTER 56-140	1	333237	333237	334757	-----	-----
21	MOTOR ADPT PLT-BOLT ON 180 (1)	1	079067-22-AB	079067-22-AB	333239	333239	333239
	MOTOR ADPT PLT-BOLT ON 210 (2)	1	-----	-----	334571	334571	334571
	MOTOR ADPT PLT-BOLT ON 250 (2)	1	-----	-----	-----	334570	334570
22-24	SHIM KIT	1	411623-33-B	335330	411623-33-C	335331	335336
25	INT RING	2	278715	411637-02-AC	278717	51334	51335
26	EXT RING	1	411637-02-AP	411637-02-AR	411637-02-BA	334404	333933
27	DUST CAP 1" HOLE	1	411709-65-H	411709-65-H	411709-65-H	411709-65-H	411709-65-H
28	56/140 MTR ADPT GASKET	1	602028-43-F	602028-43-F	602028-43-F	-----	-----
	MOTOR ADPT GASKET 180-210	1	276335	276335	276335	276335	276335

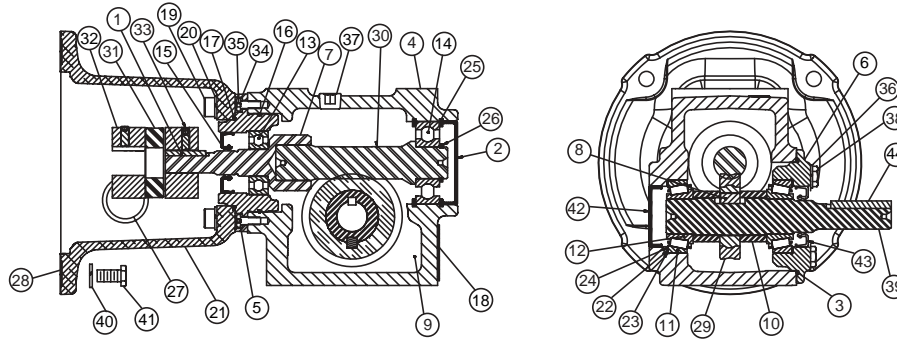
(1) Adpt plate 07906722AB bolts onto 56/140 adpt & accepts 180 motor. Adpt 333239 is one pice complete and accepts 180 motor.

(2) Adapter plate bolts onto 180 adapter 333239.

FEATURES/BENEFITS PAGE 3	SPECIFICATION PAGE 6	NOMENCLATURE PAGE 7	MODIFICATION / ACCESSORIES PAGE 78
-----------------------------	-------------------------	------------------------	---------------------------------------

RENEWAL PARTS

TIGEAR-2 Coupled Input / Solid Output Sizes 26 - 47



Ref No	Description	Qty	26	30	35	40	47
			Part Number	Part Number	Part Number	Part Number	Part Number
29	TIG2 SOLID GEAR	1	See Gear Chart	See Gear Chart	See Gear Chart	See Gear Chart	See Gear Chart
30	TIG2 WORMSHAFT	1	See Gear Chart	See Gear Chart	See Gear Chart	See Gear Chart	See Gear Chart
31	COUPLING SPIDER 56 MTR	1	278911	278911	278912	-----	-----
	COUPLING SPIDER 140 MTR	1	278912	278912	278912	-----	-----
	COUPLING SPIDER 180 MTR	1	275794	275794	275794	275794	275794
	COUPLING SPIDER 210-250 MTR	1	-----	-----	334291	334291	334291
32	5/8 COUPLING, 56 MOTOR	1	278900	278900	334292	-----	-----
	7/8 COUPLING, 140 MOTOR	1	276169	276169	276169	-----	-----
	1-1/8 COUPLING, 180 MOTOR	1	278907	278907	278907	278907	278907
	1-3/8 COUPLING, 210 MOTOR	1	-----	-----	334286	334286	334286
	1-3/8 COUPLING, 250 MOTOR	1	-----	-----	-----	334288	334288
33	COUPLING HUB, REDUCER 56	1	278901	278901	276169	-----	-----
	COUPLING HUB, REDUCER 140	1	276169	276169	276169	-----	-----
	COUPLING HUB, REDUCER 180	1	275806	275806	275806	278907	278907
	COUPLING HUB, REDUCER 210-250	1	-----	-----	334285	334290	334290
34	MED LOCKWASHER	2	419009	419009	419009	419009	419009
35	LHHCS PLAIN	2	333807	333807	333807	333807	333807
36	MED LOCKWASHER	4	275803	275855	275855	419036	419036
37	PIPE PLUG 1/4" SOC.	2	411647-34-B	411647-34-B	411647-34-B	411647-34-B	411647-34-B
38	HEX HEAD CAP SCREW	4	51929	51952	51952	411483	411484
39	T2 SGL SOLID OUTPUT SHAFT	1	333609	333610	333611	334554	334619
40	LOCK WASHER 56-140	4	275803	275803	275803	-----	-----
	LOCK WASHER 210-250	4	-----	-----	275853	275853	275853
41	3/8-16 X 1 HHCS PLN ZC 56-140	4	51929	51929	51929	-----	-----
	SOC HD CAP SCREW 180	4	411631-63-A	411631-63-A	411631-58-X	411631-58-X	411631-58-X
	HEX HD CAP SCREW 210	4	-----	-----	275845	275845	275845
	HEX HD CAP SCREW 250	4	-----	-----	-----	276447	276447
42	OUTPUT BORE PLUG	1	334247	334246	334254	334251	334252
43	TIG2 SEAL, OUTPUT	1	334273	334274	334275	334277	334278
44	KEY, OUTPUT SHAFT	1	333695	333705	333716	55127	55127

(1) Adpt plate 07906722AB bolts onto 56/140 adpt & accepts 180 motor. Adpt 333239 is one pice complete and accepts 180 motor.

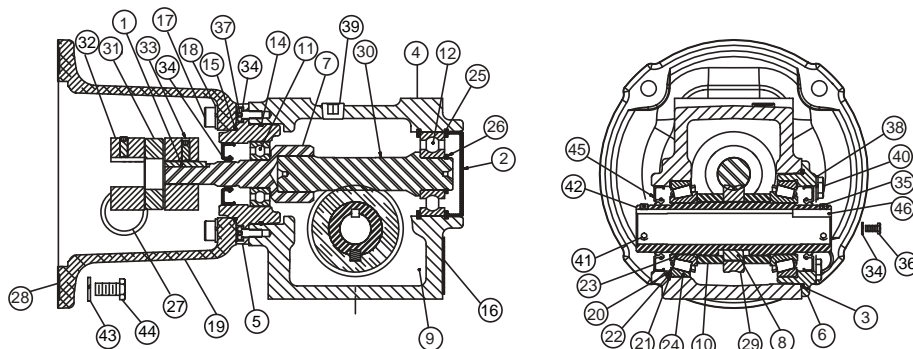
(2) Adapter plate bolts onto 180 adapter 333239.

FEATURES/BENEFITS PAGE 3	SPECIFICATION PAGE 6	NOMENCLATURE PAGE 7	MODIFICATION / ACCESSORIES PAGE 78
-----------------------------	-------------------------	------------------------	---------------------------------------



RENEWAL PARTS

TIGEAR-2 Coupled Input / Hollow Output Sizes 13 - 23



Ref No	Description	Qty	13	15	17	20	23
			Part Number	Part Number	Part Number	Part Number	Part Number
1	INPUT KEY	1	55582	55582	54783	54783	54783
2	INPUT BORE PLUG	1	276005	276005	276001	276001	276002
3	O-RING	1	276019	276019	276134	276355	334307
4	TIG2 HOLLOW GEARCASE	1	333218	333219	333220	333221	333222
5	T2 I/P BRG CARRIER	1	333245	333245	333246	333246	333249
6	T2 HOLLOW BRG HOUSING	1	333281	333281	333282	333283	333284
7	TIG2 SEP INPUT CPLG	1	See Gear Chart	See Gear Chart	See Gear Chart	See Gear Chart	See Gear Chart
8	GEAR KEY	1	333650	333650	333666	333671	333686
9	TIGEAR 2 LUBRICANT	1	334863	334863	334863	334863	334863
10	TIG2 HOLLW O/P SPACER	2	333733	333734	333735	333736	333737
11	BALL BEARING	1	334211	334211	334212	334212	334213
12	BALL BEARING	1	334218	334218	334219	334219	334220
13	TIG2 SEAL, INPUT	1	334270	334270	334271	334271	334272
14	O-RING, NITRILE	1	334300	334300	334300	334300	334303
15	O-RING, NITRILE	1	334304	334304	334304	334304	276355
16	NAMEPLATE T2	1	334305	334305	334305	334305	334305
17	CAD PLTD SCREW 56-140	4	417371	417371	417371	417371	417111
	CAD PLTD SCREW 180-210-250	4	----	----	----	----	----
18	MED LOCKWASHER	4	419010	419010	419010	419010	275803
19	T2 ADPT. M. ADPTR 56-140	1	333236	333236	333236	333236	333237
	MOTOR ADPT PLT 180-210 (1)	1	----	----	----	----	079067-22-AB
	MTR ADPT PLT-BOLT ON 210 (2)	1	----	----	----	----	----
	MTR ADPT PLT-BOLT ON 250 (2)	1	----	----	----	----	----
20-22	SHIM KIT	1	411623-33-B	411623-33-B	335330	411623-33-C	335331
23-24	BEARING CUP/CONE ASSEMBLY	2	411626-01-A	411626-01-A	335338	335339	335340
25	INT RING	2	411637-02-AV	411637-02-AV	58256	58256	411637-01-A
26	EXT RING	1	411637-02-E	411637-02-E	411637-02-AY	411637-02-AY	411637-02-N
27	DUST CAP 1" HOLE	1	411709-65-Q	411709-65-Q	411709-65-Q	411709-65-Q	411709-65-Q
28	56/140 M/A. GASKET	1	602028-43-F	602028-43-F	602028-43-F	602028-43-F	602028-43-F
	MOTOR GASKET 180-210	1	----	----	----	----	276335
29	TIG2 HOLLOW GEAR	1	See Gear Chart	See Gear Chart	See Gear Chart	See Gear Chart	See Gear Chart
30	TIG2 WORMSHAFT	1	See Gear Chart	See Gear Chart	See Gear Chart	See Gear Chart	See Gear Chart

(1) Adpt plate 07906722AB bolts onto 56/140 adpt & accepts 180 motor. Adpt 333239 is one piece complete and accepts 180 motor.

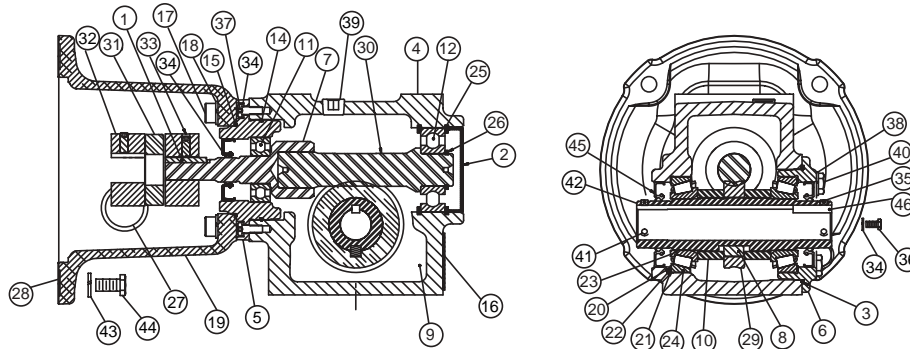
(2) Adpt plate bolts onto 180 adpt 333239.

FEATURES/BENEFITS PAGE 3	SPECIFICATION PAGE 6	NOMENCLATURE PAGE 7	MODIFICATION / ACCESSORIES PAGE 78
-----------------------------	-------------------------	------------------------	---------------------------------------



RENEWAL PARTS

TIGEAR-2 Coupled Input / Hollow Output Sizes 13 - 23



Ref No	Description	Qty	13	15	17	20	23
			Part Number	Part Number	Part Number	Part Number	Part Number
31	SPIDER 56C	1	278911	278911	278911	278911	278911
	SPIDER 140TC	1	----	----	278912	278912	278912
	SPIDER 180TC	1	----	----	----	----	275794
	SPIDER 210-250	1	----	----	----	----	----
32	5/8 COUPLING HUB-MOTOR 56C	1	278900	278900	278900	278900	278900
	7/8 COUPLING HUB-MOTOR 140TC	1	----	----	276169	276169	276169
	1-1/8 COUPLING HUB-MTR 180TC	1	----	----	----	----	278907
	1-3/8 COUPLING HUB-MTR 210TC	1	----	----	----	----	----
	1-5/8 COUPLING HUB-MTR 250TC	1	----	----	----	----	----
33	COUPLING - REDUCER 56C	1	334309	334309	278900	278900	278901
	COUPLING - REDUCER 140TC	1	----	----	334306	334306	276169
	COUPLING - REDUCER 180TC	1	----	----	----	----	275806
	COUPLING - REDUCER 210-250	1	----	----	----	----	----
34	MED LOCKWASHER	4	419007	419007	419007	419007	419009
35	SET SCREW	2	400140	400140	400140	400140	400140
36	HHCS GR5 ZC	2	58270	58270	333800	333800	51302
37	LHHCS PLAIN	2	333808	333808	333808	333808	333807
38	MED LOCKWASHER	4	419009	419009	419010	419010	275803
39	"PIPE PLUG 1/4"SOCKET"	2	411647-34-B	411647-34-B	411647-34-B	411647-34-B	411647-34-B
40	HEX HEAD CAP SCREW	4	51302	51302	411405	411405	51929
41	SET SCREW	4	275953	275953	275953	275953	275953
42	HOLLOW OUTPUT SHAFT	1	333629	333629	333631	334789	333633
43	LOCK WASHER 56-140	4	275803	275803	275803	275803	275803
	LOCK WASHER 210	4	----	----	----	----	----
	LOCK WASHER 250	4	----	----	----	----	----
44	3/8-16 X 1 HHCS PLN ZC 56-140	4	51929	51929	51929	51929	51929
	SOCKET HEAD CAP SCR 180	4	----	----	----	----	411631-63-A
	HEX HD CAP SCREW 210	4	----	----	----	----	----
	HEX HD CAP SCREW 250	4	----	----	----	----	----
45	SEAL TIGEAR 2, OUTPUT	2	334273	334273	334274	334276	334277
46	OUTPUT KEY	2	54783	54783	55025	55025	333687

(1) Adpt plate 07906722AB bolts onto 56/140 adpt & accepts 180 motor. Adpt 333239 is one piece complete and accepts 180 motor.

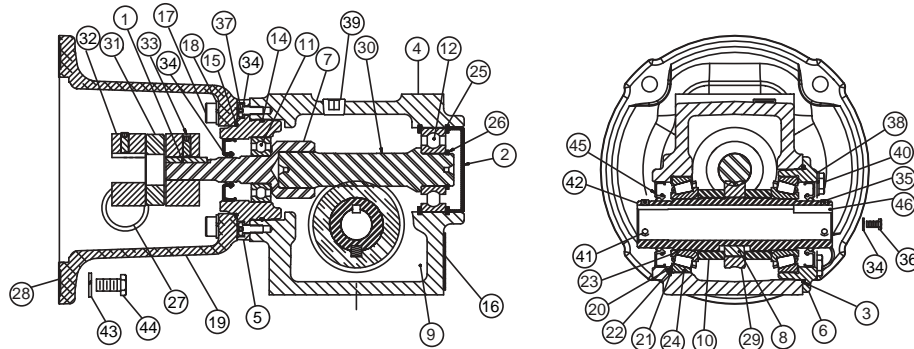
(2) Adpt plate bolts onto 180 adpt 333239.

FEATURES/BENEFITS PAGE 3	SPECIFICATION PAGE 6	NOMENCLATURE PAGE 7	MODIFICATION / ACCESSORIES PAGE 78
-----------------------------	-------------------------	------------------------	---------------------------------------



RENEWAL PARTS

TIGEAR-2 Coupled Input / Hollow Output Sizes 26 - 47



Ref No	Description	Qty	26	30	35	40	47
			Part Number	Part Number	Part Number	Part Number	Part Number
1	INPUT KEY	1	54783	54783	51744	334561	334561
2	INPUT BORE PLUG	1	334248	276004	276007	334250	334253
3	O-RING	1	334302	334308	276358	334313	334315
4	TIG2 HOLLOW GEARCASE	1	333223	333224	333225	334507	334577
5	T2 I/P BRG CARRIER	1	333249	333250	333253	334508	334508
6	T2 HOLLOW BRG HOUSING	1	333285	333286	333287	334512	334582
7	TIG2 SEP INPUT CPLG	1	See Gear Chart	See Gear Chart	See Gear Chart	See Gear Chart	See Gear Chart
8	GEAR KEY	1	333670	333712	333717	334564	334624
9	TIGEAR 2 LUBRICANT	1	334862	334862	334862	334862	334862
10	TIG2 HOLLW O/P SPACER	2	333738	333739	333740	334566	334626
11	BALL BEARING	1	334213	334214	334215	334216	334216
12	BALL BEARING	1	334221	334222	334223	334224	334225
13	TIG2 SEAL, INPUT	1	334272	334272	334272	334274	334274
14	O-RING, NITRILE	1	334303	334303	334314	334314	334314
15	O-RING, NITRILE	1	276355	276355	276355	276355	276355
16	NAMEPLATE T2	1	334305	334305	334305	334305	334305
17	CAD PLTD SCREW 56-140	4	417111	417111	334895	----	----
	CAD PLTD SCREW 180-210-250	4	----	----	334373	334373	334373
18	MED LOCKWASHER	4	275803	275803	275855	333783	333783
19	T2 ADPT. M. ADPTR 56-140	1	333237	333237	334757	----	----
	MOTOR ADPT PLT 180-210 (1)	1	079067-22-AB	079067-22-AB	333239	333239	333239
	MTR ADPT PLT-BOLT ON 210 (2)	1	----	----	334571	334571	334571
	MTR ADPT PLT-BOLT ON 250 (2)	1	----	----	----	334570	334570
20-22	SHIM KIT	1	335332	335333	335333	335334	335335
23-24	BEARING CUP/CONE ASSEMBLY	2	41162601BJ	335341	335341	335342	335343
25	INT RING	2	278715	411637-02-AC	278717	51334	51335
26	EXT RING	1	411637-02-AP	411637-02-AR	411637-02-BA	334404	333933
27	DUST CAP 1" HOLE	1	411709-65-Q	411709-65-Q	411709-65-Q	411709-65-Q	411709-65-Q
28	56/140 M/A. GASKET	1	602028-43-F	602028-43-F	602028-43-F	----	----
	MOTOR GASKET 180-210	1	276335	276335	276335	276335	276335
29	TIG2 HOLLOW GEAR	1	See Gear Chart	See Gear Chart	See Gear Chart	See Gear Chart	See Gear Chart
30	TIG2 WORMSHAFT	1	See Gear Chart	See Gear Chart	See Gear Chart	See Gear Chart	See Gear Chart

(1) Adpt plate 07906722AB bolts onto 56/140 adpt & accepts 180 motor. Adpt 333239 is one piece complete and accepts 180 motor.

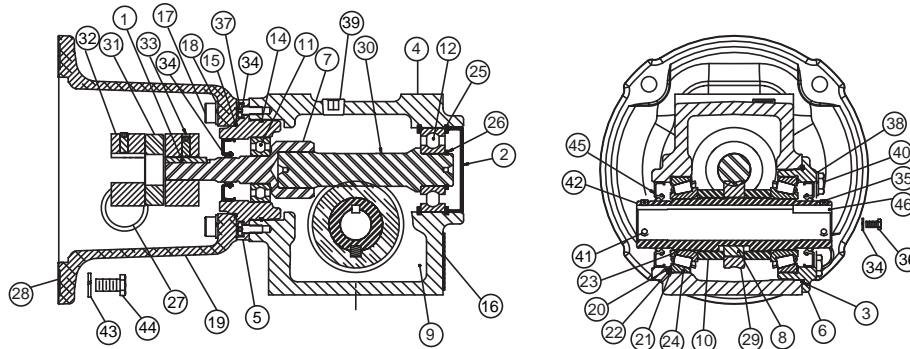
(2) Adpt plate bolts onto 180 adpt 333239.

FEATURES/BENEFITS PAGE 3	SPECIFICATION PAGE 6	NOMENCLATURE PAGE 7	MODIFICATION / ACCESSORIES PAGE 78
-----------------------------	-------------------------	------------------------	---------------------------------------



RENEWAL PARTS

TIGEAR-2 Coupled Input / Hollow Output Sizes 26 - 47



Ref No	Description	Qty	26	30	35	40	47
			Part Number	Part Number	Part Number	Part Number	Part Number
31	SPIDER 56C	1	278911	278911	-----	-----	-----
	SPIDER 140TC	1	278912	278912	278912	278907	-----
	SPIDER 180TC	1	275794	275794	275794	275794	275794
	SPIDER 210-250	1	-----	-----	334291	334291	334291
32	5/8 COUPLING HUB-MOTOR 56C	1	278900	278900	-----	-----	-----
	7/8 COUPLING HUB-MOTOR 140TC	1	276169	276169	276169	-----	-----
	1-1/8 COUPLING HUB-MTR 180TC	1	278907	278907	278907	278907	278907
	1-3/8 COUPLING HUB-MTR 210TC	1	-----	-----	334286	334286	334286
	1-5/8 COUPLING HUB-MTR 250TC	1	-----	-----	-----	334288	334288
33	COUPLING - REDUCER 56C	1	278901	278901	-----	-----	-----
	COUPLING - REDUCER 140TC	1	276169	276169	276169	-----	-----
	COUPLING - REDUCER 180TC	1	275806	275806	275806	278907	278907
	COUPLING - REDUCER 210-250	1	-----	-----	334285	334290	334290
34	MED LOCKWASHER	4	419009	419009	419009	419009	419009
35	SET SCREW	2	400140	400140	400140	400140	275953
36	HHCS GR5 ZC	2	51302	411397	411396	411396	411402
37	LHHCS PLAIN	2	333807	333807	333807	333807	333807
38	MED LOCKWASHER	4	275803	275855	275855	419036	419036
39	PIPE PLUG 1/4"SOC.	2	411647-34-B	411647-34-B	411647-34-B	411647-34-B	411647-34-B
40	HEX HEAD CAP SCREW	4	51929	51952	51952	411483	411484
41	SET SCREW	4	275962	275954	275954	333805	333805
42	HOLLOW OUTPUT SHAFT	1	333634	333635	333636	334556	334621
43	LOCK WASHER 56-140	4	275803	275803	275803	-----	-----
	LOCK WASHER 210	4	-----	-----	275853	275853	275853
	LOCK WASHER 250	4	-----	-----	-----	275853	275853
44	3/8-16 X 1 HHCS PLN ZC 56-140	4	51929	51929	51929	-----	-----
	SOCKET HEAD CAP SCR 180	4	411631-63-A	411631-63-A	411631-58-X	411631-58-X	411631-58-X
	HEX HD CAP SCREW 210	4	-----	-----	275845	275845	275845
	HEX HD CAP SCREW 250	4	-----	-----	-----	276447	276447
45	SEAL TIGEAR 2, OUTPUT	2	334278	334279	334279	334280	334281
46	OUTPUT KEY	2	333687	333709	333709	334563	334623

(1) Adpt plate 07906722AB bolts onto 56/140 adpt & accepts 180 motor. Adpt 333239 is one piece complete and accepts 180 motor.

(2) Adpt plate bolts onto 180 adpt 333239.

FEATURES/BENEFITS PAGE 3	SPECIFICATION PAGE 6	NOMENCLATURE PAGE 7	MODIFICATION / ACCESSORIES PAGE 78
-----------------------------	-------------------------	------------------------	---------------------------------------