

SELECTION/DIMENSIONS

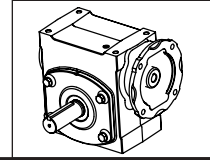
TIGEAR-2 QUILL INPUT - SIZE 15

RATIO	OUTPUT RPM	RATING DATA 1750 INPUT RPM		PART NUMBER		SHAFT POSITION
				56C	140TC	
5	350	Mechanical Input Hp	1.75	15Q05L56	15Q05L14	L
		Thermal Input Hp	3.34	15Q05R56	15Q05R14	R
		Output Torque (lb in.)	293	15Q05LR56	15Q05LR14	LR
		Mechanical Output Hp	1.63	15Q05H56	15Q05H14	HOLLOW
		Output OHL (lbs.)	710			
7.5	233	Mechanical Input Hp	1.40	15Q07L56	15Q07L14	L
		Thermal Input Hp	2.55	15Q07R56	15Q07R14	R
		Output Torque (lb in.)	337	15Q07LR56	15Q07LR14	LR
		Mechanical Output Hp	1.26	15Q07H56	15Q07H14	HOLLOW
		Output OHL (lbs.)	710			
10	175	Mechanical Input Hp	1.13	15Q10L56	15Q10L14	L
		Thermal Input Hp	2.22	15Q10R56	15Q10R14	R
		Output Torque (lb in.)	361	15Q10LR56	15Q10LR14	LR
		Mechanical Output Hp	1.00	15Q10H56	15Q10H14	HOLLOW
		Output OHL (lbs.)	710			
15	117	Mechanical Input Hp	0.86	15Q15L56		L
		Thermal Input Hp	1.58	15Q15R56		R
		Output Torque (lb in.)	392	15Q15LR56		LR
		Mechanical Output Hp	0.73	15Q15H56		HOLLOW
		Output OHL (lbs.)	710			
20	88	Mechanical Input HP	0.70	15Q20L56		L
		Thermal Input Hp	1.26	15Q20R56		R
		Output Torque (lb in.)	407	15Q20LR56		LR
		Mechanical Output Hp	0.56	15Q20H56		HOLLOW
		Output OHL (lbs.)	710			
25	70	Mechanical Input Hp	0.60	15Q25L56		L
		Thermal Input Hp	0.99	15Q25R56		R
		Output Torque (lb in.)	410	15Q25LR56		LR
		Mechanical Output Hp	0.46	15Q25H56		HOLLOW
		Output OHL (lbs.)	710			
30	58	Mechanical Input Hp	0.51	15Q30L56		L
		Thermal Input Hp	0.96	15Q30R56		R
		Output Torque (lb in.)	413	15Q30LR56		LR
		Mechanical Output Hp	0.38	15Q30H56		HOLLOW
		Output OHL (lbs.)	710			
40	44	Mechanical Input Hp	0.41	15Q40L56		L
		Thermal Input Hp	0.80	15Q40R56		R
		Output Torque (lb in.)	417	15Q40LR56		LR
		Mechanical Output Hp	0.29	15Q40H56		HOLLOW
		Output OHL (lbs.)	710			
50	35	Mechanical Input Hp	0.34	15Q50L56		L
		Thermal Input Hp	0.70	15Q50R56		R
		Output Torque (lb in.)	402	15Q50LR56		LR
		Mechanical Output Hp	0.22	15Q50H56		HOLLOW
		Output OHL (lbs.)	710			
60	29	Mechanical Input Hp	0.29	15Q60L56		L
		Thermal Input Hp	0.62	15Q60R56		R
		Output Torque (lb in.)	381	15Q60LR56		LR
		Mechanical Output Hp	0.18	15Q60H56		HOLLOW
		Output OHL (lbs.)	710			

Note: Reducers are shipped without a mounting base. Order bolt-on base kit 15BASE if required.

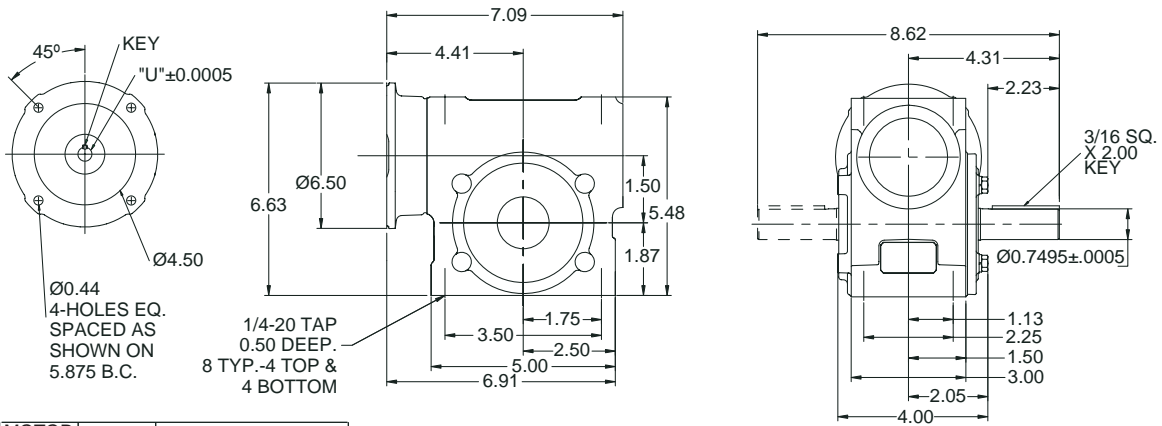
FEATURES/BENEFITS PAGE 3	SPECIFICATION PAGE 6	NOMENCLATURE PAGE 7	MODIFICATION / ACCESSORIES PAGE 78
-----------------------------	-------------------------	------------------------	---------------------------------------

SELECTION/DIMENSIONS



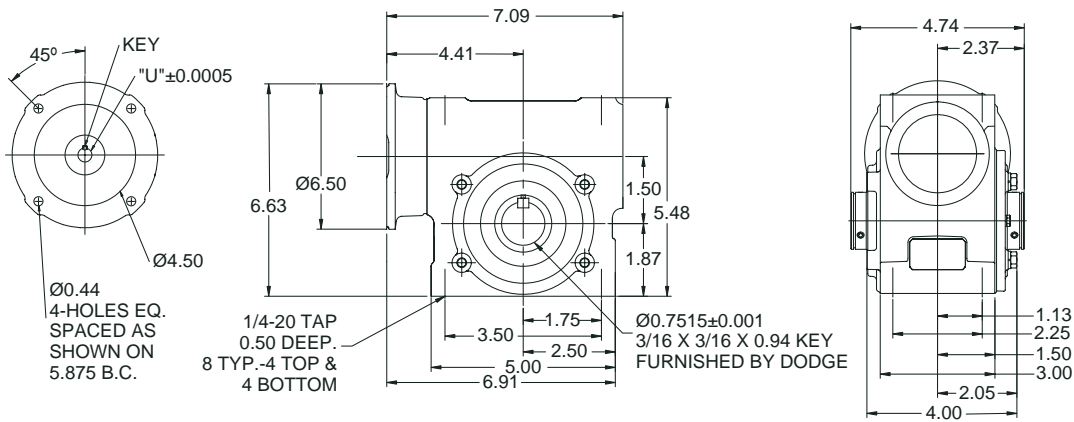
TIGEAR-2 QUILL INPUT - SIZE 15

SOLID OUTPUT

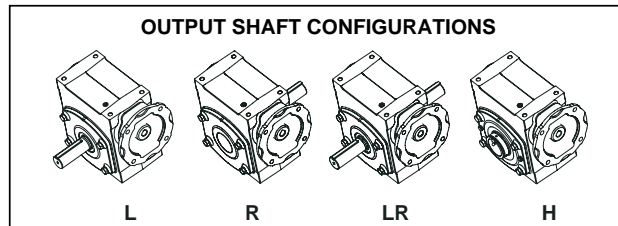


MOTOR FRAME	"U"	KEY
48Y 56C	Ø0.626	3/16 SQ. X 1.72 KEY

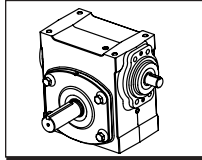
HOLLOW OUTPUT



OUTPUT SHAFT CONFIGURATIONS



FEATURES/BENEFITS PAGE 3	SPECIFICATION PAGE 6	NOMENCLATURE PAGE 7	MODIFICATION / ACCESSORIES PAGE 78
-----------------------------	-------------------------	------------------------	---------------------------------------



SELECTION/DIMENSIONS

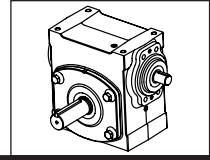
TIGEAR-2 SEPARATE INPUT - SIZE 15

RATIO	OUTPUT RPM	RATING DATA 1750 INPUT RPM		SEPARATE REDUCER	SHAFT POSITION	OPTIONAL MOTOR ADAPTER KIT	
						56C	140TC
5	350	Mechanical Input Hp	1.75	15S05L	L	1315MTR56	1315MTR14
		Thermal Input Hp	3.34	15S05R	R		
		Output Torque (lb in.)	293	15S05LR	LR		
		Mechanical Output Hp	1.63	15S05H	HOLLOW		
		Output OHL (lbs.)	710				
7.5	233	Mechanical Input Hp	1.40	15S07L	L	1315MTR56	1315MTR14
		Thermal Input Hp	2.55	15S07R	R		
		Output Torque (lb in.)	337	15S07LR	LR		
		Mechanical Output Hp	1.26	15S07H	HOLLOW		
		Output OHL (lbs.)	710				
10	175	Mechanical Input Hp	1.13	15S10L	L	1315MTR56	1315MTR14
		Thermal Input Hp	2.22	15S10R	R		
		Output Torque (lb in.)	361	15S10LR	LR		
		Mechanical Output Hp	1.00	15S10H	HOLLOW		
		Output OHL (lbs.)	710				
15	117	Mechanical Input Hp	0.86	15S15L	L	1315MTR56	
		Thermal Input Hp	1.58	15S15R	R		
		Output Torque (lb in.)	392	15S15LR	LR		
		Mechanical Output Hp	0.73	15S15H	HOLLOW		
		Output OHL (lbs.)	710				
20	88	Mechanical Input Hp	0.70	15S20L	L	1315MTR56	
		Thermal Input Hp	1.26	15S20R	R		
		Output Torque (lb in.)	407	15S20LR	LR		
		Mechanical Output Hp	0.56	15S20H	HOLLOW		
		Output OHL (lbs.)	710				
25	70	Mechanical Input Hp	0.60	15S25L	L	1315MTR56	
		Thermal Input Hp	0.99	15S25R	R		
		Output Torque (lb in.)	410	15S25LR	LR		
		Mechanical Output Hp	0.46	15S25H	HOLLOW		
		Output OHL (lbs.)	710				
30	58	Mechanical Input Hp	0.51	15S30L	L	1315MTR56	
		Thermal Input Hp	0.96	15S30R	R		
		Output Torque (lb in.)	413	15S30LR	LR		
		Mechanical Output Hp	0.38	15S30H	HOLLOW		
		Output OHL (lbs.)	710				
40	44	Mechanical Input Hp	0.41	15S40L	L	1315MTR56	
		Thermal Input Hp	0.80	15S40R	R		
		Output Torque (lb in.)	417	15S40LR	LR		
		Mechanical Output Hp	0.29	15S40H	HOLLOW		
		Output OHL (lbs.)	710				
50	35	Mechanical Input Hp	0.34	15S50L	L	1315MTR56	
		Thermal Input Hp	0.70	15S50R	R		
		Output Torque (lb in.)	402	15S50LR	LR		
		Mechanical Output Hp	0.22	15S50H	HOLLOW		
		Output OHL (lbs.)	710				
60	29	Mechanical Input Hp	0.29	15S60L	L	1315MTR56	
		Thermal Input Hp	0.62	15S60R	R		
		Output Torque (lb in.)	381	15S60LR	LR		
		Mechanical Output Hp	0.18	15S60H	HOLLOW		
		Output OHL (lbs.)	710				
All Ratios		Input OHL (lbs)	140	One diameter from seal surface			

Note: TIGEAR-2 separate reducers cannot be used with the old Adaptable TIGEAR motor adapter kits.

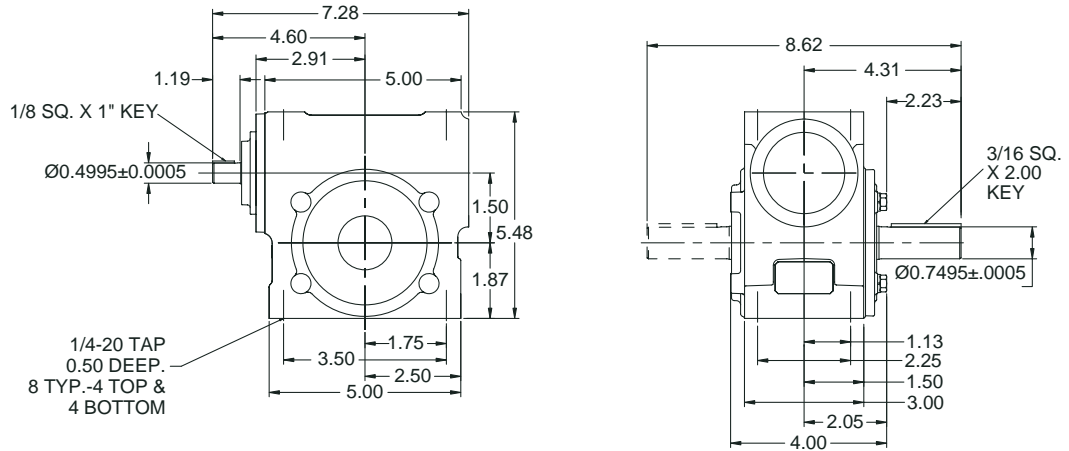
FEATURES/BENEFITS PAGE 3	SPECIFICATION PAGE 6	NOMENCLATURE PAGE 7	MODIFICATION / ACCESSORIES PAGE 78
-----------------------------	-------------------------	------------------------	---------------------------------------

SELECTION/DIMENSIONS

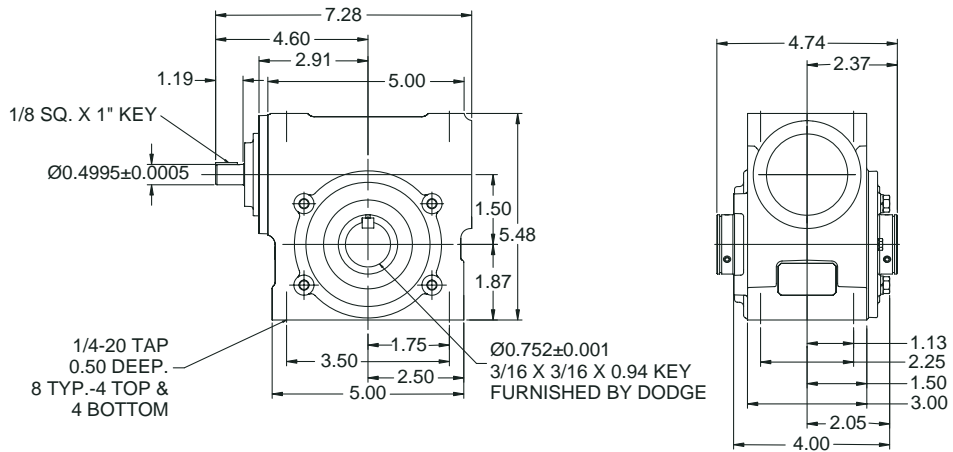


TIGEAR-2 SEPARATE INPUT - SIZE 15

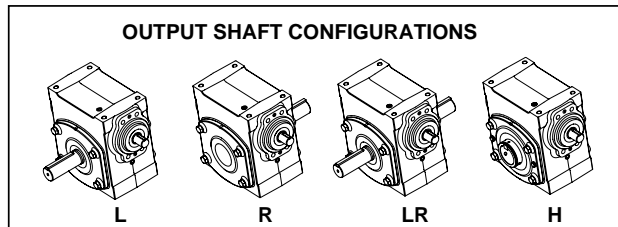
SOLID OUTPUT



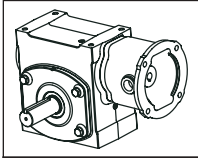
HOLLOW OUTPUT



OUTPUT SHAFT CONFIGURATIONS



FEATURES/BENEFITS PAGE 3	SPECIFICATION PAGE 6	NOMENCLATURE PAGE 7	MODIFICATION / ACCESSORIES PAGE 78
-----------------------------	-------------------------	------------------------	---------------------------------------



SELECTION/DIMENSIONS

TIGEAR-2 COUPLED INPUT - ADAPTER ASSEMBLY - SIZE 15

Coupled input units include a Separate reducer and motor adapter kit assembled together.

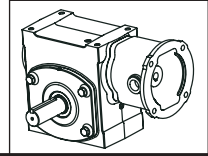
These assemblies are normally "made to order" with a 5 day standard lead time.

RATIO	OUTPUT RPM	RATING DATA 1750 INPUT RPM		PART NUMBER		SHAFT POSITION
				56C	140TC	
5	350	Mechanical Input Hp	1.75	15A05L56	15A05L14	L
		Thermal Input Hp	3.34	15A05R56	15A05R14	R
		Output Torque (lb in.)	293	15A05LR56	15A05LR14	LR
		Mechanical Output Hp	1.63	15A05H56	15A05H14	HOLLOW
		Output OHL (lbs.)	710			
7.5	233	Mechanical Input Hp	1.40	15A07L56	15A07L14	L
		Thermal Input Hp	2.55	15A07R56	15A07R14	R
		Output Torque (lb in.)	337	15A07LR56	15A07LR14	LR
		Mechanical Output Hp	1.26	15A07H56	15A07H14	HOLLOW
		Output OHL (lbs.)	710			
10	175	Mechanical Input Hp	1.13	15A10L56	15A10L14	L
		Thermal Input Hp	2.22	15A10R56	15A10R14	R
		Output Torque (lb in.)	361	15A10LR56	15A10LR14	LR
		Mechanical Output Hp	1.00	15A10H56	15A10H14	HOLLOW
		Output OHL (lbs.)	710			
15	117	Mechanical Input Hp	0.86	15A15L56		L
		Thermal Input Hp	1.58	15A15R56		R
		Output Torque (lb in.)	392	15A15LR56		LR
		Mechanical Output Hp	0.73	15A15H56		HOLLOW
		Output OHL (lbs.)	710			
20	88	Mechanical Input Hp	0.70	15A20L56		L
		Thermal Input Hp	1.26	15A20R56		R
		Output Torque (lb in.)	407	15A20LR56		LR
		Mechanical Output Hp	0.56	15A20H56		HOLLOW
		Output OHL (lbs.)	710			
25	70	Mechanical Input Hp	0.60	15A25L56		L
		Thermal Input Hp	0.99	15A25R56		R
		Output Torque (lb in.)	410	15A25LR56		LR
		Mechanical Output Hp	0.46	15A25H56		HOLLOW
		Output OHL (lbs.)	710			
30	58	Mechanical Input Hp	0.51	15A30L56		L
		Thermal Input Hp	0.96	15A30R56		R
		Output Torque (lb in.)	413	15A30LR56		LR
		Mechanical Output Hp	0.38	15A30H56		HOLLOW
		Output OHL (lbs.)	710			
40	44	Mechanical Input Hp	0.41	15A40L56		L
		Thermal Input Hp	0.80	15A40R56		R
		Output Torque (lb in.)	417	15A40LR56		LR
		Mechanical Output Hp	0.29	15A40H56		HOLLOW
		Output OHL (lbs.)	710			
50	35	Mechanical Input Hp	0.34	15A50L56		L
		Thermal Input Hp	0.70	15A50R56		R
		Output Torque (lb in.)	402	15A50LR56		LR
		Mechanical Output Hp	0.22	15A50H56		HOLLOW
		Output OHL (lbs.)	710			
60	29	Mechanical Input Hp	0.29	15A60L56		L
		Thermal Input Hp	0.62	15A60R56		R
		Output Torque (lb in.)	381	15A60LR56		LR
		Mechanical Output Hp	0.18	15A60H56		HOLLOW
		Output OHL (lbs.)	710			

Note: Reducers are shipped without a mounting base. Order bolt-on base kit **15BASE** if required.

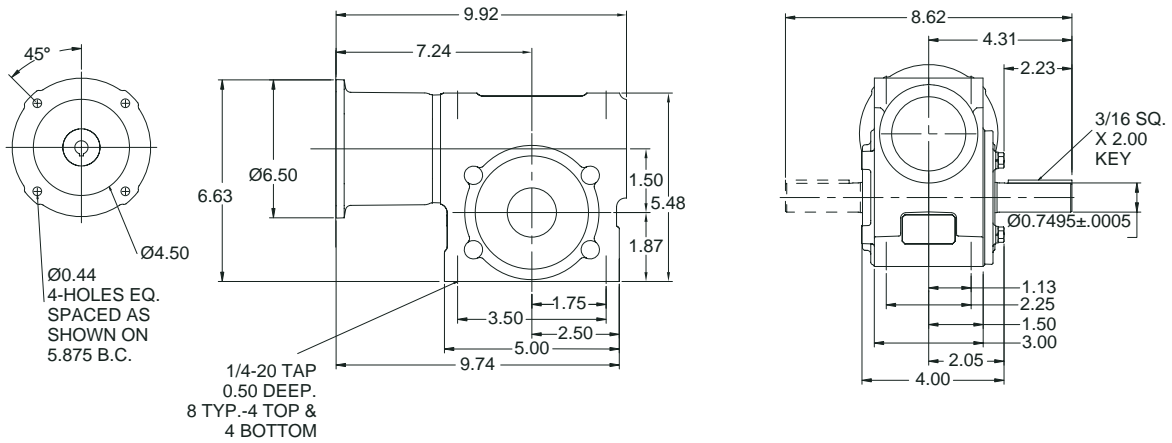
FEATURES/BENEFITS PAGE 3	SPECIFICATION PAGE 6	NOMENCLATURE PAGE 7	MODIFICATION / ACCESSORIES PAGE 78
-----------------------------	-------------------------	------------------------	---------------------------------------

SELECTION/DIMENSIONS

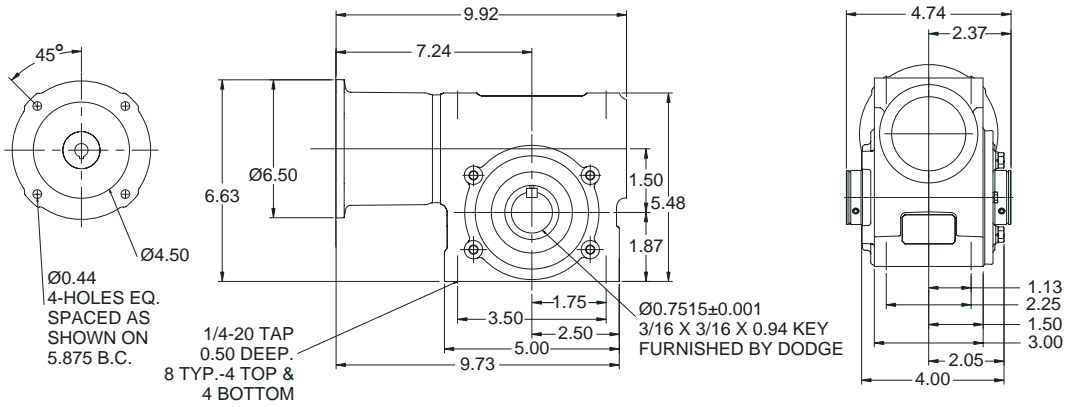


TIGEAR-2 COUPLED INPUT - ADAPTER ASSEMBLY - SIZE 15

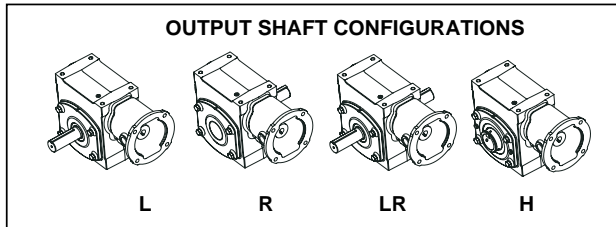
SOLID OUTPUT



HOLLOW OUTPUT



OUTPUT SHAFT CONFIGURATIONS



FEATURES/BENEFITS PAGE 3	SPECIFICATION PAGE 6	NOMENCLATURE PAGE 7	MODIFICATION / ACCESSORIES PAGE 78
-----------------------------	-------------------------	------------------------	---------------------------------------