

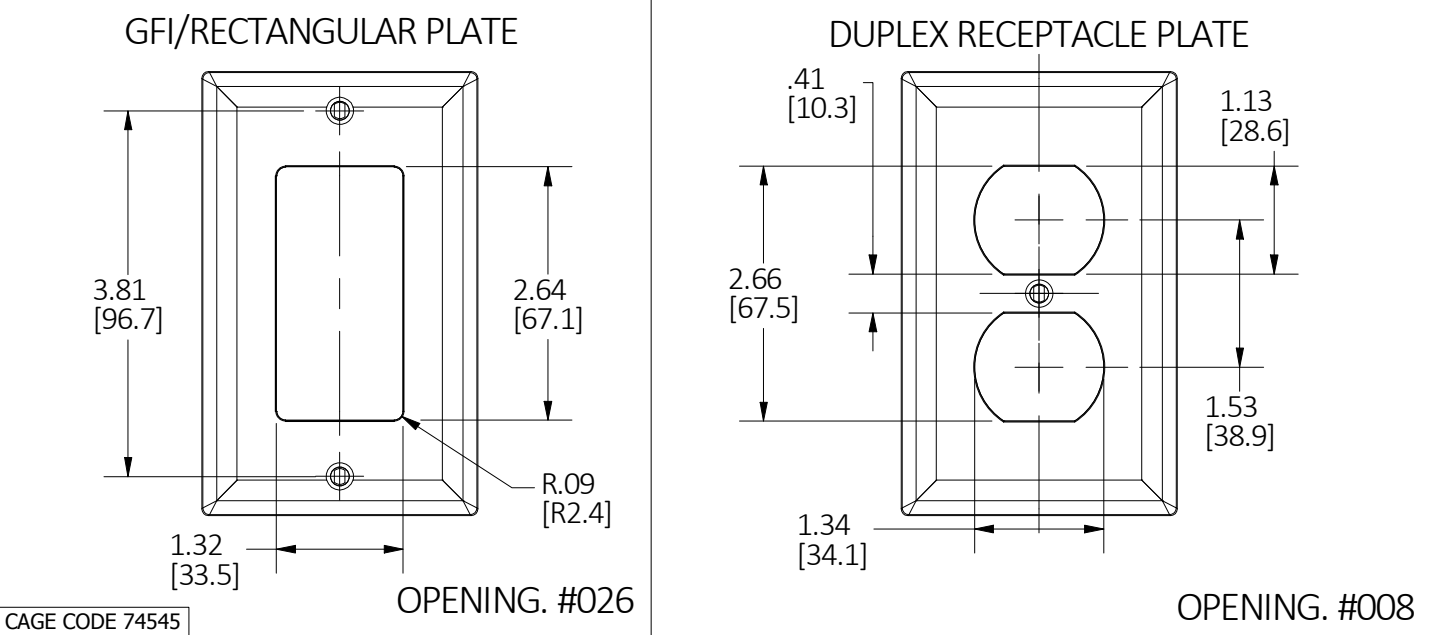
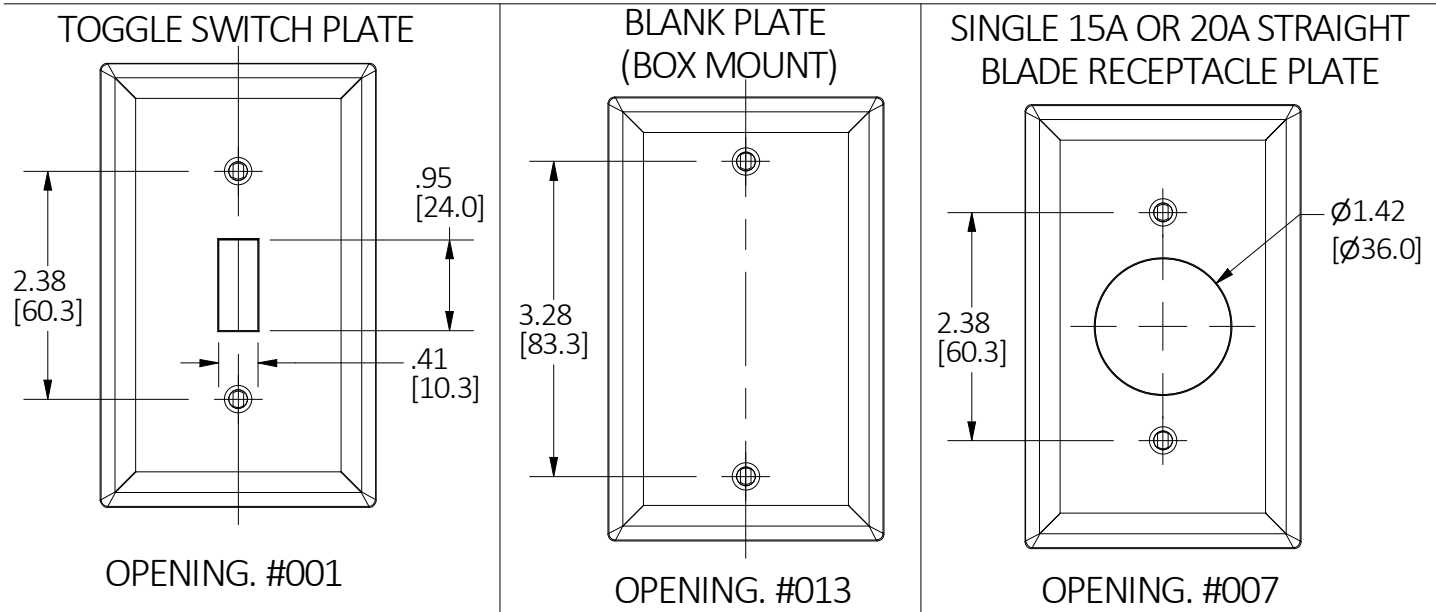
NOTES:

1. ALL DIMENSIONS ARE IN INCHES [mm].

LIST OF PARTS		
DESCRIPTION	MATERIAL	FINISH
WALLPLATE	THERMOPLASTIC	COLOR SEE TABLE PER CAT.#
MOUNTING SCREW	STEEL	Zn PLATE

DIMENSION SHEET FOR CAT. NO. SEE TABLE

CAT.#	DESCRIPTION	COLOR	OPENING
P8	WALLPLATE 1G DUP, BR	BROWN	008
P8I	WALLPLATE 1G DUP, IV	IVORY	008
P8W	WALLPLATE 1G DUP, WH	WHITE	008
P8GY	WALLPLATE 1G DUP, GY	GRAY	008
P8BK	WALLPLATE 1G DUP, BK	BLACK	008
P8R	WALLPLATE 1G DUP, RED	RED	008
P8LA	WALLPLATE 1G DUP, LA	LIGHT ALMOND	008
P8OR	WALLPLATE 1G DUP, OR	ORANGE	008
P8OIG	WALLPLATE 1G DUP NYL, OR IG	ORANGE	008
P13	WALLPLATE 1G BLANK, BR	BROWN	013
P13I	WALLPLATE 1G BLANK, IV	IVORY	013
P13W	WALLPLATE 1G BLANK, WH	WHITE	013
P13GY	WALLPLATE 1G BLANK, GY	GRAY	013
P13BK	WALLPLATE 1G BLANK, BK	BLACK	013
P13LA	WALLPLATE 1G BLANK, LA	LIGHT ALMOND	013
P26	WALLPLATE 1G DECO, BR	BROWN	026
P26I	WALLPLATE 1G DECO, IV	IVORY	026
P26W	WALLPLATE 1G DECO, WH	WHITE	026
P26GY	WALLPLATE 1G DECO, GY	GRAY	026
P26BK	WALLPLATE 1G DECO, BK	BLACK	026
P26R	WALLPLATE 1G DECO, RED	RED	026
P26LA	WALLPLATE 1G DECO, LA	LIGHT ALMOND	026
P26OIG	WALLPLATE 1G DECO NYL, OR IG	ORANGE	026
P1	WALLPLATE 1G TOG, BR	BROWN	001
P1I	WALLPLATE 1G TOG, IV	IVORY	001
P1W	WALLPLATE 1G TOG, WH	WHITE	001
P1GY	WALLPLATE 1G TOG, GY	GRAY	001
P1BK	WALLPLATE 1G TOG, BK	BLACK	001
P1R	WALLPLATE 1G TOG, RED	RED	001
P1LA	WALLPLATE 1G TOG, LA	LIGHT ALMOND	001
P7	WALLPLATE 1G 1.40"OPNG, BR	BROWN	007
P7I	WALLPLATE 1G 1.40"OPNG, IV	IVORY	007
P7W	WALLPLATE 1G 1.40"OPNG, WH	WHITE	007
P7GY	WALLPLATE 1G 1.40"OPNG, GY	GRAY	007
P7BK	WALLPLATE 1G 1.40"OPNG, BK	BLACK	007
P7R	WALLPLATE 1G 1.40"OPNG, RED	RED	007
P7LA	WALLPLATE 1G 1.40"OPNG, LA	LIGHT ALMOND	007
P7OIG	WALLPLATE 1G 1.40"OPNG NYL IG, OR	ORANGE	007



2	ADDED SHEET 2 PER DCN #191115071510.	D.LI	11/6/19
1	NEW RELEASE PER DCN #191021082012.	D.LI	9/18/19
REV	DESCRIPTION	APP	DATE

THE DESIGN AND DIMENSIONS OF THE PRODUCT SHOWN ON THIS DRAWING ARE SUBJECT TO CHANGE WITHOUT NOTICE. DIMENSIONS ARE IN INCHES [mm].

TITLE  
WALLPLATE PC 1-GANG STANDARD SIZE

WIRING DEVICE-KELLEMS  
HUBBELL INCORPORATED  
SHELTON, CT

TOLERANCES UNLESS OTHERWISE SPECIFIED .XX = ±.01 .XXX = ±.005 ANGLE TOL. ±2'	DR. BY D.LI	SCALE 1/2
	CHK. BY	DATE 9/18/2019

B M-14158 2

