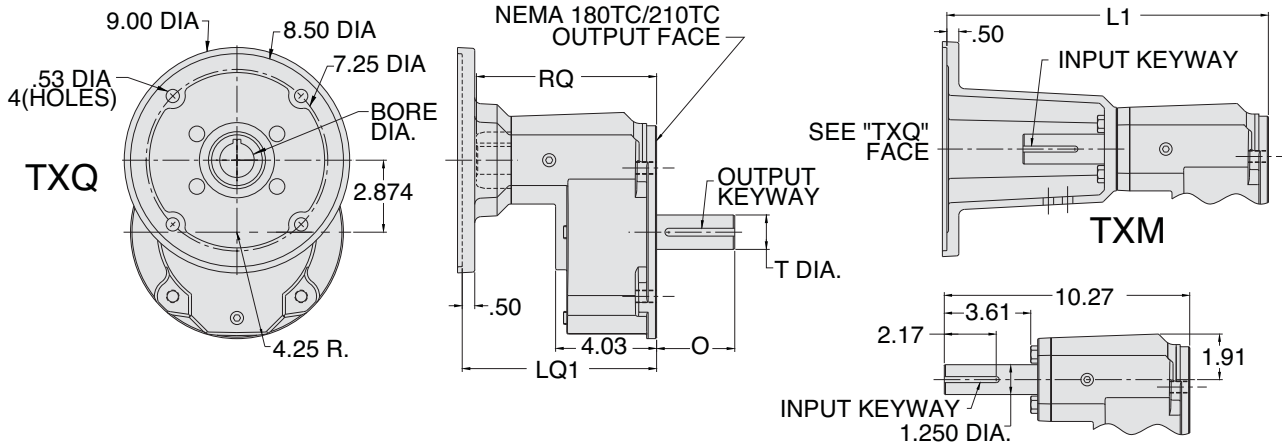


Dimensions

CAST IRON
GR SERIES

Cast Iron Size 3 – Style TX3



Dimensions (inches)

Style	Frame Combinations (Input - Output)	Input Bore	L1	LQ1	O	RQ	T +0.000 -0.0015	Input Keyway*	Output Keyway*	Weight (lbs.)
TXMQ, TXM, TX	180TC - 180TC	1.125	13.45	7.76	2.62	7.25	1.125	.250 x .125	.250 x .125 x 1.80	45
	210TC - 180TC	1.375	13.45	7.76	2.62	7.25	1.125	.312 x .156**	.250 x .125 x 1.80	45
	250TC - 180TC	1.625	14.01	8.32	2.62	7.65	1.125	.375 x .188**	.250 x .125 x 1.80	45
	180TC - 210TC	1.125	13.45	7.76	3.12	7.25	1.375	.250 x .125	.312 x .156 x 2.63	45
	210TC - 210TC	1.375	13.45	7.76	3.12	7.25	1.375	.312 x .156**	.312 x .156 x 2.63	45
	250TC - 210TC	1.625	14.01	8.32	3.12	7.65	1.375	.375 x .188**	.312 x .156 x 2.63	45

* Keyway width by depth

** Input keyway for styles TXM & TX is .250 x .125

Available Selections

Exact Ratio	Style	Motor C-Flange	Output C-Flange	Catalog Number
2.000	TXMQ	182-4TC	182-4TC	707060L
		182-4TC	213-5TC	707061L
		213-5TC	213-5TC	707064L
		254-6TC	213-5TC	707067L
	TXM	182-4TC	182-4TC	707090L
		213-5TC	213-5TC	707094L
		254-6TC	213-5TC	707097L
	TX	--	213-5TC	707121L
	2.964	TXMQ	182-4TC	182-4TC
182-4TC			213-5TC	707070L
213-5TC			182-4TC	707072L
213-5TC			213-5TC	707073L
TXM		182-4TC	182-4TC	707099L
		182-4TC	213-5TC	707100L
		213-5TC	182-4TC	707102L
		213-5TC	213-5TC	707103L
		TX	--	182-4TC
		--	213-5TC	707124L

Exact Ratio	Style	Motor C-Flange	Output C-Flange	Catalog Number
4.045	TXMQ	182-4TC	182-4TC	707075L
		182-4TC	213-5TC	707076L
		213-5TC	182-4TC	707078L
		213-5TC	213-5TC	707079L
		213-5TC	213-5TC	707099L
	TXM	182-4TC	182-4TC	707105L
		182-4TC	213-5TC	707106L
		213-5TC	182-4TC	707108L
		213-5TC	213-5TC	707109L
TX	--	182-4TC	707126L	
		--	213-5TC	707127L
5.167	TXMQ	182-4TC	182-4TC	707081L
		182-4TC	213-5TC	707082L
		213-5TC	182-4TC	707084L
		213-5TC	213-5TC	707085L
	TXM	182-4TC	182-4TC	707111L
		182-4TC	213-5TC	707112L
		213-5TC	182-4TC	707114L
		213-5TC	213-5TC	707115L
		TX	--	182-4TC
		--	213-5TC	707130L
7.538	TXMQ	182-4TC	182-4TC	707087L
	TXM	182-4TC	182-4TC	707117L
	TX	--	182-4TC	707132L

Single Reduction
Worm Gear Reducers

Double Reduction
Worm - Worm Gear Reducers

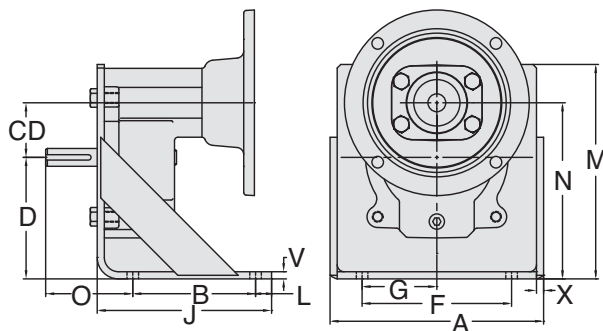
Double Reduction
Helical - Worm Gear Reducers

WASHGUARD® Reducers
and GEAR+MOTOR™

Ratio Multipliers

Accessories and
Additional Capabilities

Ratio Multiplier Foot Kit for Styles TBX, TBXM, TBXMQ



Dimensions (inches)

Size	Output	A	B	CD	D	F	G	H	J	X	L	M	N	O	V	X	Catalog Number	Weight (lbs)
TX	56C	7.50	4.31	1.909	4.250	5.25	2.63	0.41	6.13	0.25	0.56	7.50	6.16	3.06	.25	.25	G185655	2.0
	140TC	7.50	4.31	1.909	4.250	5.25	2.63	0.41	6.13	0.25	0.56	7.50	6.16	3.12	.25	.25		
TX3	180TC	9.50	5.25	2.874	5.000	7.00	3.50	0.53	7.38	0.25	0.63	9.44	7.88	3.88	.25	.25	G185657	3.0
	210TC	9.50	5.25	2.874	5.000	7.00	3.50	0.53	7.38	0.25	0.63	9.44	7.88	4.38	.25	.25		
	250TC	9.50	5.25	2.874	5.000	7.00	3.50	0.53	7.38	0.25	0.63	9.44	7.88	5.00	.25	.25		

NOTE: Foot kit is painted steel construction.

Maximum Rating Tables

Stainless TX

Exact Ratio	Input RPM	Output RPM	Input HP	Output HP	Output TQ. (lb-in.)	Overhung Load (lbs.)
2.056	1750	851	4.69	4.55	347	222
2.929	1750	598	3.64	3.53	384	265
4.000	1750	438	2.91	2.82	419	300
5.111	1750	342	2.33	2.26	428	300
7.462	1750	235	1.56	1.52	419	300

TX

Exact Ratio	Input RPM	Output RPM	Input HP	Output HP	Output TQ. (lb-in.)	Overhung Load 56C Output (lbs.)	Overhung Load 140TC Output (lbs.)
2.000	1750	875	6.00	5.88	424	358	358
2.913	1750	601	4.21	4.13	433	375	434
4.000	1750	438	3.63	3.55	511	375	455
5.000	1750	350	3.00	2.94	529	375	455
7.182	1750	244	2.62	2.57	664	375	455

TX3

Exact Ratio	Input RPM	Output RPM	Input HP	Output HP	Output TQ. (lb-in.)	Overhung Load (lbs.)
2.000	1750	875	20.00	19.6	1412	900
2.964	1750	590	12.98	12.72	1357	900
4.045	1750	433	11.35	11.13	1621	900
5.167	1750	339	10.07	9.87	1836	900
7.538	1750	232	5.80	5.69	1544	900