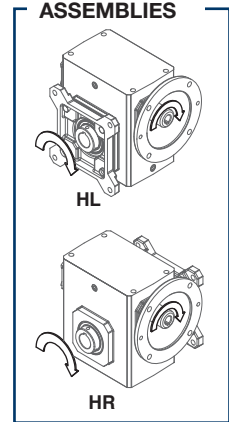
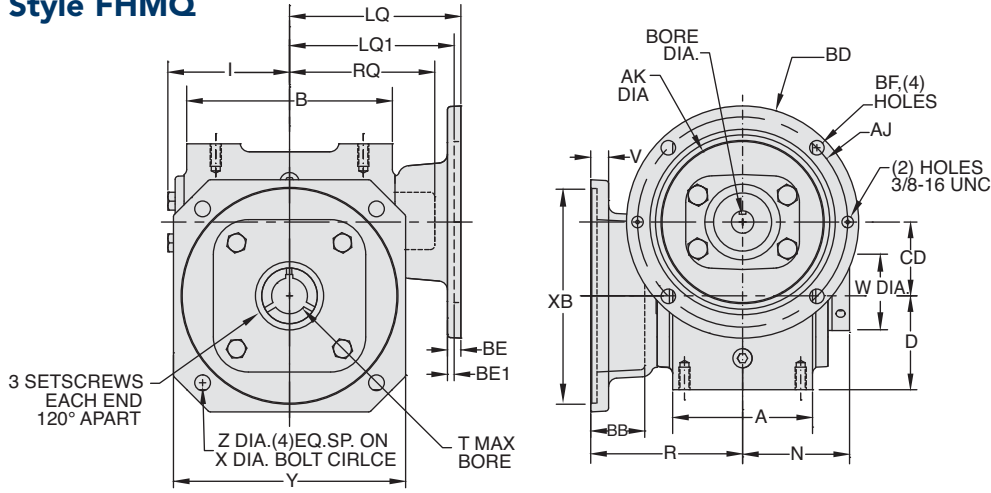


# ELECTRA-GEAR

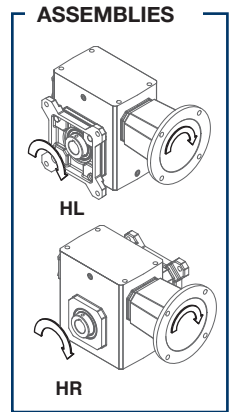
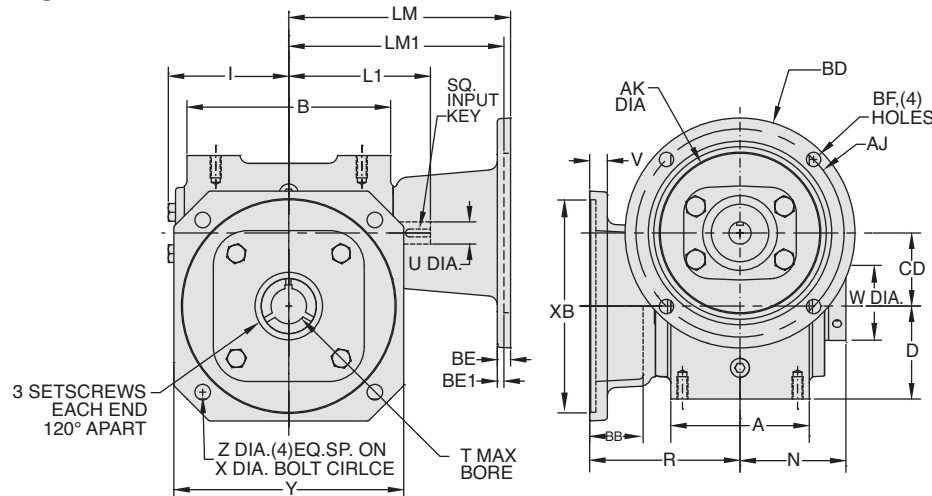
## EL Series Dimensions

Styles: FHMQ, FHM, FH

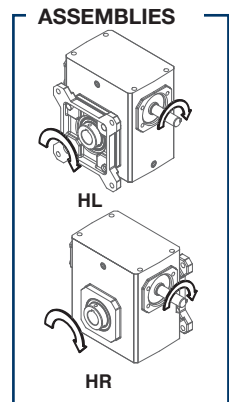
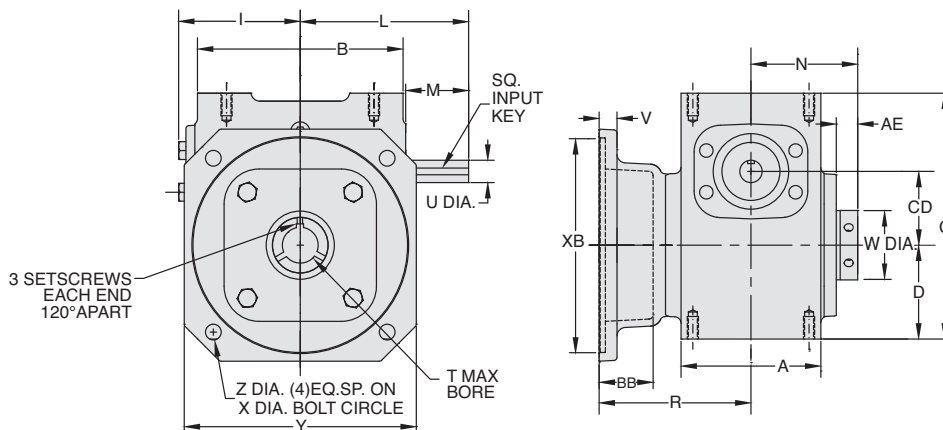
### Style FHMQ



### Style FHM



### Style FH



REVERSE ALL ARROWS FOR OPPOSITE INPUT SHAFT ROTATION. CONTACT INPUT FACTORY FOR OTHER MOUNTINGS OR ASSEMBLY POSITIONS.

Single Reduction  
Worm Gear Reducers

Double Reduction  
Worm - Worm Gear Reducers

Double Reduction  
Helical - Worm Gear Reducers

WASHGUARD® Reducers  
and GEAR+MOTOR™

Ratio Multipliers

Accessories and  
Additional Capabilities

### STYLE FHM, FHM, FH DIMENSIONS (Inches)

| Size  | A    | AE   | B     | BB   | C     | CD   | D    | I    | L     | M    | N    | R    | V    | X           | XB    | Y     | Z    | T MAX*<br>+0.000<br>-0.0025 | U<br>+0.000<br>-0.0015 | Input Key<br>(Style FH only)*: | Input Key<br>(Style FHM only)*: | Output Key |
|-------|------|------|-------|------|-------|------|------|------|-------|------|------|------|------|-------------|-------|-------|------|-----------------------------|------------------------|--------------------------------|---------------------------------|------------|
| EL818 | 3.50 | 0.49 | 4.83  | 1.27 | 5.86  | 1.75 | 2.31 | 3.03 | 4.35  | 1.78 | 2.75 | 3.53 | 0.38 | 3.13        | -     | 4.00  | 0.34 | 1.000                       | 0.625                  | 3/16 x 1.38                    | 3/16 x .500                     | 1/4 x 3.00 |
| EL821 | 3.91 | 0.60 | 5.75  | 1.51 | 6.88  | 2.06 | 2.63 | 3.40 | 4.71  | 1.76 | 2.99 | 4.25 | 0.50 | 6.88        | 6.00  | 6.49  | 0.44 | 1.500*                      | 0.625                  | 3/16 X 1.38                    | 3/16 x .500                     | 3/8 x 3.00 |
| EL824 | 4.06 | 1.05 | 5.86  | 1.35 | 6.94  | 2.38 | 2.50 | 3.61 | 5.51  | 2.45 | 3.51 | 4.15 | 0.63 | 7.38        | 6.50  | 6.99  | 0.50 | 1.500*                      | 0.750                  | 3/16 X 1.63                    | 3/16 x .500                     | 3/8 x 3.00 |
| EL826 | 4.84 | 0.60 | 7.17  | 1.35 | 8.00  | 2.63 | 3.25 | 4.17 | 6.07  | 2.45 | 3.19 | 4.56 | 0.63 | 7.38        | 6.50  | 6.99  | 0.50 | 1.500*                      | 0.750                  | 3/16 x 1.63                    | 3/16 x .500                     | 3/8 x 3.00 |
| EL830 | 5.25 | 0.60 | 8.11  | 2.36 | 8.94  | 3.00 | 3.50 | 4.81 | 6.56  | 2.31 | 3.75 | 5.75 | 0.81 | 9.125-9.500 | 8.25  | 8.74  | 0.56 | 2.188                       | 0.875                  | 3/16 x 1.63                    | 3/16 x .500                     | 1/2 x 3.00 |
| EL832 | 5.25 | 0.60 | 8.11  | 2.54 | 10.50 | 3.25 | 4.00 | 5.00 | 6.75  | 2.31 | 3.75 | 5.94 | 0.81 | 10.75       | 9.75  | 8.74  | 0.56 | 2.188                       | 0.875                  | 3/16 x 1.63                    | 3/16 x .500                     | 1/2 x 3.00 |
| EL842 | 6.13 | 0.63 | 9.63  | 2.06 | 11.69 | 4.25 | 4.50 | 6.15 | 9.57  | 3.47 | 4.25 | 6.06 | 0.75 | 10.75       | 10.25 | 11.00 | 0.69 | 2.188                       | 1.250                  | 1/4 x 2.50                     | 1/4 x 2.50                      | 3/8 x 3.00 |
| EL852 | 7.19 | 0.97 | 11.50 | 1.18 | 12.25 | 5.25 | 4.25 | 7.55 | 10.88 | 3.38 | 5.25 | 5.75 | 0.69 | 12.75       | 11.50 | 14.24 | 0.81 | 3.438                       | 1.250                  | 1/4 X 3.00                     | 1/4 x 3.00                      | 7/8 x 4.00 |
| EL860 | 7.00 | 0.81 | 13.50 | 0.25 | 14.25 | 6.00 | 5.00 | 7.88 | 10.99 | 3.00 | 5.19 | 7.25 | 1.00 | 15.25       | 13.00 | 17.00 | 0.81 | 3.438                       | 1.500                  | 3/8 x 3.00                     | 3/8 x 2.75                      | 7/8 x 4.00 |

### Motor Mounting Dimensions

#### NEMA DIMENSIONS (Inches)

| Size  | LM<br>56C/140TC | LM1<br>180TC / 210TC | L1<br>56C/140TC<br>180TC / 210TC | LQ<br>56C/140TC | LQ1<br>180TC / 210TC | RQ<br>56C/140TC<br>180TC / 210TC |
|-------|-----------------|----------------------|----------------------------------|-----------------|----------------------|----------------------------------|
| EL818 | 5.89            | --                   | 3.64                             | --              | 4.42                 | 3.59                             |
| EL821 | 6.26            | --                   | 4.00                             | --              | 4.79                 | 4.06                             |
| EL824 | 6.48            | 7.30                 | 4.29                             | 4.29            | 4.77                 | 4.09                             |
| EL826 | 7.04            | 7.86                 | 4.88                             | 4.88            | 5.33                 | 4.82                             |
| EL830 | 7.67            | 8.31                 | 5.38                             | 5.38            | 5.97                 | 5.32                             |
| EL832 | 7.86            | 8.50                 | 5.56                             | 5.56            | 6.16                 | 5.51                             |
| EL842 | 11.25           | 12.53                | 9.57                             | 9.57            | 6.45                 | 6.04                             |
| EL852 | 12.65           | 13.93                | 10.88                            | 10.88           | 7.85                 | 7.35                             |
| EL860 | --              | 11.94                | 10.99                            | 10.99           | --                   | --                               |

#### NEMA DIMENSIONS (Inches)

| Frame | AJ   | AK   | BD   | BE   | BE1  | Bore Dia. | Keyway♦     | BF   |
|-------|------|------|------|------|------|-----------|-------------|------|
| 56C   | 5.88 | 4.50 | 6.50 | 0.38 | N/A  | .625      | 3/16 X 3/32 | 0.41 |
| 140TC | 5.88 | 4.50 | 6.50 | 0.38 | N/A  | .875      | 3/16 X 3/32 | 0.41 |
| 180TC | 7.25 | 8.50 | 9.00 | N/A  | 0.50 | 1.125     | 1/4 X 1/8   | 0.53 |
| 210TC | 7.25 | 8.50 | 9.00 | N/A  | 0.50 | 1.375     | 5/16 X 5/32 | 0.53 |

- Max bore dimensions shown. For additional bores available, refer to page 20.
- ♦ Keyway width by depth
- \* Solid input shaft and C-faced coupling input reducers have different input shaft length and key.



For safety, purchaser or user should provide protective guards over shaft extensions and any couplings, sheaves and belts, sprockets and chains, etc., mounted thereon.

### INTEGRAL GEARMOTOR INPUTS AVAILABLE

— Contact Factory for price and availability.

### EL SERIES MOUNTING DIMENSIONS

- EL Series mounting dimensions are the same as the original ELECTRA-GEAR product with an option to match the industry standard dimensions of GR Series.
- See page 52 for GR Series dimensions.

### ELECTRA-GEAR INTERCHANGE GUIDE

| Original Style | New Style     |
|----------------|---------------|
| RHSC           | FHM           |
| RHC            | FHM           |
| RH             | FH            |
| RH + "KV" Kit  | FH + "KV" Kit |

Convert Style FH to motorized coupling input using kits shown on page 278.

# ELECTRA-GEAR Modified Stock Gear Reducers

Single Reduction  
Worm Gear Reducers

Double Reduction  
Worm - Worm Gear Reducers

Double Reduction  
Helical - Worm Gear Reducers

WASHGUARD® Reducers  
and GEAR+MOTOR™

Ratio Multipliers

Accessories and  
Additional Capabilities

## STYLE T OR U HORIZONTAL BASE



| Reducer Size | Accessory Kit Only Catalog No. | Weight (lbs) |
|--------------|--------------------------------|--------------|
| EL813        | G185260                        | 1            |
| EL818        | G185261                        | 2            |
| EL821        | G185262                        | 3            |
| EL824        | G185263                        | 3            |
| EL826        | G185264                        | 4            |
| EL830        | G185265                        | 6            |
| EL832        | G185266                        | 8            |
| EL842        | G185267                        | 7            |
| EL852        | G185268                        | 8            |
| EL860        | G185269                        | 10           |

## STYLE J VERTICAL INPUT BASE



(WHITE EPOXY)

| Reducer Size | Accessory Kit Only Catalog No. | Weight (lbs) |
|--------------|--------------------------------|--------------|
| EL813        | G185270                        | 1            |
| EL818        | G185271                        | 2            |
| EL821        | G185272                        | 3            |
| EL824        | G185273                        | 3            |
| EL826        | G185274                        | 4            |
| EL830        | G185275                        | 5            |
| EL832        | G185276                        | 5            |
| EL842        | ◆                              | 6            |
| EL852        | ◆                              | 8            |
| EL860        | ◆                              | 10           |

◆ J Brackets for sizes 842-852 require grease fittings in input covers and must be installed at Factory. Contact Factory for field replacement kits.

## STYLE VL VERTICAL OUTPUT BASE



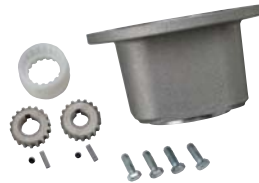
(WHITE EPOXY)

| Reducer Size | Accessory Kit Only Catalog No. | Weight (lbs) |
|--------------|--------------------------------|--------------|
| EL813        | G185278                        | 2            |
| EL818        | G185279                        | 3            |
| EL821        | G185280                        | 3            |
| EL824        | G185281                        | 3            |
| EL826        | G185282                        | 4            |
| EL830        | G185283                        | 5            |
| EL832        | G185284                        | 5            |
| EL842        | ■                              | 6            |
| EL852        | ■                              | 8            |
| EL860        | ■                              | 10           |

■ VL bases for sizes 842-852 require grease fittings in output covers and must be installed at Factory. Contact Factory for field replacement kits.

\*\* Must designate D or U.

## BM STYLE INPUT FLANGE KITS\*\*



| Reducer Size | NEMA Input Frame Size |         |         |         |         |
|--------------|-----------------------|---------|---------|---------|---------|
|              | 56C                   | 140TC   | 180TC   | 210TC   | 250TC   |
| EL813        | G185501               | G185511 | -       | -       | -       |
| EL818        | G185502               | G185512 | -       | -       | -       |
| EL821        | G185502               | G185512 | -       | -       | -       |
| EL842        | G185503               | G185513 | G185523 | G185573 | G185583 |
| EL852        | G185503               | G185513 | G185523 | G185573 | G185583 |

\*\* All kits include flexible coupling

## DOUBLE REDUCTION ADAPTOR KITS



| Reducer Size  | Accessory Kit Only Catalog No. | Primary Unit Size | Secondary Unit Quill Size | Weight (lbs.) |
|---------------|--------------------------------|-------------------|---------------------------|---------------|
| EL813 - EL821 | G185296                        | 813               | 56C                       | 2             |

Note: Sizes 824-8100 must be assembled at Factory.

## HOLLOW SHAFT TIE ROD KIT



(GR SERIES SHOWN)

| Reducer Size | Accessory Kit Only Catalog No. | Weight (lbs) |
|--------------|--------------------------------|--------------|
| EL813-842    | G185152                        | 5            |
| EL852-860    | G185153                        | 5            |

NOTE: Kit does not include Torque Arm Bracket that mounts to reducer. See "TORQUE ARM BRACKET" table.

## TORQUE ARM BRACKET



| Reducer Size | Accessory Kit Only Catalog No. |
|--------------|--------------------------------|
| EL813        | -                              |
| EL818        | G185480                        |
| EL821        | G185481                        |
| EL824        | G185472                        |
| EL826        | G185473                        |
| EL830        | G185474                        |
| EL832        | G185475                        |
| EL842        | G185476                        |
| EL852        | G185477                        |
| EL860        | G185478                        |

▲ Torque arm bracket mounts to hollow shaft reducer.

## STYLE F & FR OUTPUT FLANGE KITS



| Reducer Size | Accessory Kit Only Catalog No. | Accessory Kit Only Catalog No. | Weight (lbs) |
|--------------|--------------------------------|--------------------------------|--------------|
|              | Style F Hollow Output Flange   | Style FR Solid Output Flange   |              |
| EL818        | G185287                        | G185298                        | 2            |
| EL821        | G185288                        | G185299                        | 3            |
| EL824        | G185289                        | G185300                        | 3            |
| EL826        | G185289                        | G185300                        | 3            |
| EL830        | G185291                        | G185302                        | 6            |
| EL832        | G185291                        | G185303                        | 7            |
| EL842        | G185293                        | G185304                        | 8            |
| EL852        | G185294                        | G185295                        | 8            |
| EL860        | +                              | +                              | 21           |

+ Output flange must be installed at Factory.