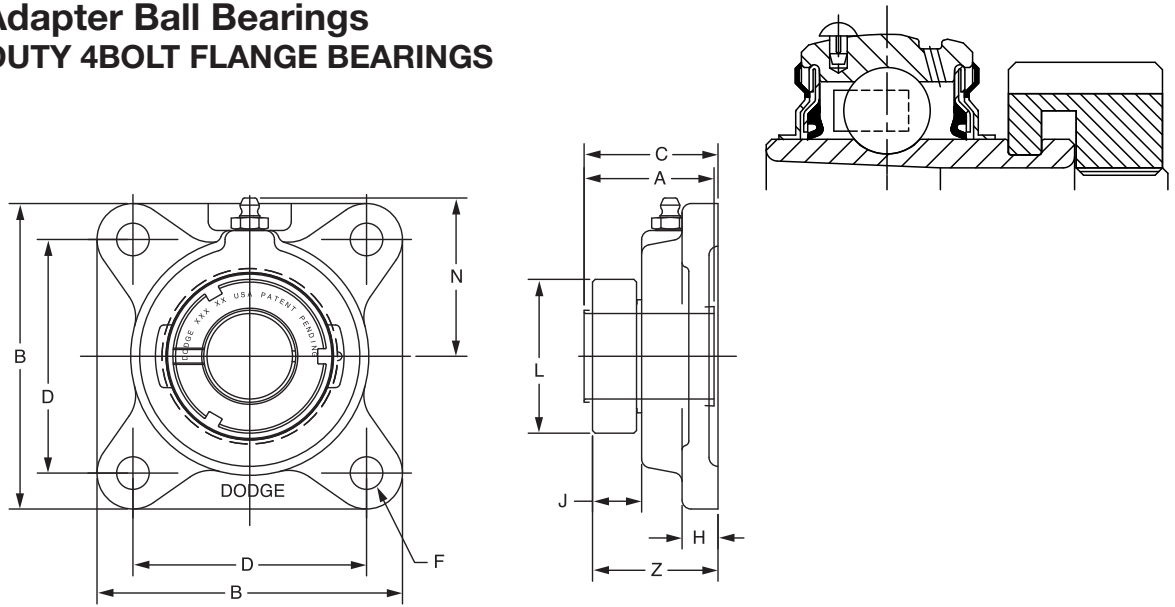


# SELECTION/DIMENSIONS



## GRIP TIGHT Adapter Ball Bearings GTM MEDIUM DUTY 4BOLT FLANGE BEARINGS

Lube Fitting Thread Size -  
1/8 - 27 NPT



Series	Shaft Size	Complete Unit		Unit without Adapter Sleeve & Lock Nut		Adapter Sleeve & Lock Nut Assembly	
		Part No.	Description	Part No.	Description	Part No.	Description
205	3/4	<b>129679</b>	F4B-GTM-012	<b>129466</b>	F4B-GT-05	<b>136597</b>	AN-GTM-05-012-D
206	1 25mm	<b>129680</b>	F4B-GTM-100	<b>129467</b>	F4B-GT-06	<b>136541</b>	AN-GTM-06-100-D
		<b>136275</b>	F4B-GTM-25M			<b>136561</b>	AN-GTM-06-25M-D
207	1-3/16 1-1/4 30mm	<b>129681</b>	F4B-GTM-103	<b>129468</b>	F4B-GT-07	<b>136542</b>	AN-GTM-07-103-D
		<b>129646</b>	F4B-GT-104			<b>136528</b>	AN-GT-07-104-D
		<b>136276</b>	F4B-GTM-30M			<b>136562</b>	AN-GTM-07-30M-D
208	1-7/16 35mm	<b>129682</b>	F4B-GTM-107	<b>129469</b>	F4B-GT-08	<b>136543</b>	AN-GTM-08-107-D
		<b>136277</b>	F4B-GTM-35M			<b>136563</b>	AN-GTM-08-35M-D
209	1-1/2 40mm	<b>129683</b>	F4B-GTM-108	<b>129470</b>	F4B-GT-09	<b>136598</b>	AN-GTM-09-108-D
		<b>136278</b>	F4B-GTM-40M			<b>136564</b>	AN-GTM-09-40M-D
210	1-11/16 1-3/4 45mm	<b>129684</b>	F4B-GTM-111	<b>129471</b>	F4B-GT-10	<b>136544</b>	AN-GTM-10-111-D
		<b>129685</b>	F4B-GTM-112			<b>136599</b>	AN-GTM-10-112-D
		<b>136279</b>	F4B-GTM-45M			<b>136565</b>	AN-GTM-10-45M-D
211	1-15/16 2 50mm	<b>129686</b>	F4B-GTM-115	<b>129472</b>	F4B-GT-11	<b>136545</b>	AN-GTM-11-115-D
		<b>129687</b>	F4B-GTM-200			<b>136600</b>	AN-GTM-11-200-D
		<b>136280</b>	F4B-GTM-50M			<b>136566</b>	AN-GTM-11-50M-D
212	2-3/16 2-1/4 55mm	<b>129688</b>	F4B-GTM-203	<b>129473</b>	F4B-GT-12	<b>136546</b>	AN-GTM-12-203-D
		<b>129689</b>	F4B-GTM-204			<b>136601</b>	AN-GTM-12-204-D
		<b>136281</b>	F4B-GTM-55M			<b>136567</b>	AN-GTM-12-55M-D
214	2-7/16 2-1/2 65mm	<b>129690</b>	F4B-GTM-207	<b>129474</b>	F4B-GT-14	<b>136547</b>	AN-GTM-14-207-D
		<b>129691</b>	F4B-GTM-208			<b>136548</b>	AN-GTM-14-208-D
		<b>136282</b>	F4B-GTM-65M			<b>136568</b>	AN-GTM-14-65M-D
215	2-11/16 70mm	<b>129692</b>	F4B-GTM-211	<b>129475</b>	F4B-GT-15	<b>136549</b>	AN-GTM-15-211-D
		<b>136283</b>	F4B-GTM-70M			<b>136569</b>	AN-GTM-15-70M-D
216	2-15/16 3 75mm	<b>129693</b>	F4B-GTM-215	<b>129486</b>	F4B-GT-16	<b>136550</b>	AN-GTM-16-215-D
		<b>129694</b>	F4B-GTM-300			<b>136551</b>	AN-GTM-16-300-D
		<b>136284</b>	F4B-GTM-75M			<b>136570</b>	AN-GTM-16-75M-D
218	3-7/16 3-1/2 85mm	<b>129695</b>	F4B-GTM-307	<b>129487</b>	F4B-GT-18	<b>136552</b>	AN-GTM-18-307-D
		<b>129696</b>	F4B-GTM-308			<b>136603</b>	AN-GTM-18-308-D
		<b>136285</b>	F4B-GTM-85M			<b>136571</b>	AN-GTM-18-85M-D

@Assembled to order

FEATURES/BENEFITS PAGE B5-2	HOW TO ORDER/NOMENCLATURE PAGE B5-4	SELECTION PAGE B5-5	RELATED PRODUCTS PAGE B5-70
--------------------------------	--	------------------------	--------------------------------

# SELECTION/DIMENSIONS



## GRIP TIGHT Adapter Ball Bearings GTM MEDIUM DUTY 4-BOLT FLANGE BEARINGS

Bearing Reference Guide

ULTRA KLEEN

E-Z KLEEN

Extreme Duty

Setscrew Ball Bearing

GRIP TIGHT

D-LOK Ball Bearing

Series	Shaft Size	Weight lbs. kg	A	B	C#	D	F Bolt Dia.	H	J	L	N	Z
205	3/4	2.3	1.46 37.1	3.75 95.3	1.57 39.9	2.75 69.9	7/16 M10	0.50 12.7	0.63 16.0	1.80 45.7	2.06 52.3	1.59 40.4
206	1 25mm	3.9 1.9	1.61 40.9	4.25 108.0	1.71 43.4	3.25 82.6	7/16 M10	0.50 12.7	0.68 17.3	2.08 52.8	2.19 55.6	1.74 44.2
207	1-3/16 1-1/4 30mm	4.5 4.4 2.2	1.62 41.1	4.75 120.7	1.79 45.5	3.63 92.1	1/2 M12	0.56 14.2	0.63 16.0	2.38 60.5	2.44 62.0	1.85 47.0
208	1-7/16 35mm	5.9 2.9	1.84 46.7	5.13 130.3	2.01 51.1	4.00 101.6	1/2 M12	0.56 14.2	0.67 17.0	2.62 66.5	2.38 60.5	2.02 51.3
209	1-1/2 40mm	6.1 3.0	1.85 47.0	5.38 136.7	2.03 51.6	4.13 104.8	1/2 M12	0.63 16.0	0.66 16.8	2.86 72.6	2.75 69.9	2.06 52.3
210	1-11/16 1-3/4 45mm	7.1 7.0 3.4	1.86 47.2	5.63 143.0	2.07 52.6	4.38 111.1	1/2 M12	0.63 16.0	0.63 16.0	3.13 79.5	2.88 73.2	2.10 53.3
211	1-15/16 2 50mm	11.1 11.0 5.4	1.93 49.0	6.50 165.1	2.19 55.6	5.13 130.2	5/8 M16	0.69 17.5	0.65 16.5	3.43 87.1	3.25 82.6	2.25 57.2
212	2-3/16 2-1/4 55mm	13.4 13.3 6.5	2.12 53.8	6.88 174.8	2.36 59.9	5.63 142.9	5/8 M16	0.69 17.5	0.71 18.0	3.69 93.7	3.50 88.9	2.43 61.7
214	2-7/16 2-1/2 65mm	14.7 14.6 7.1	2.39 60.7	7.38 187.5	2.85 72.4	5.88 149.2	5/8 M16	0.69 17.5	0.70 17.8	4.00 101.6	3.69 93.7	2.89 73.4
215	2-11/16 70mm	19.0 9.2	2.46 62.5	7.75 196.9	3.02 76.7	6.00 152.4	3/4 M18	1.00 25.4	0.77 19.6	4.44 112.8	3.88 98.6	3.02 76.7
216	2-15/16 3 75mm	20.70 20.6 10.0	2.70 68.6	7.75 196.9	3.40 86.4	6.00 152.4	3/4 M18	0.88 22.4	0.87 22.1	4.69 119.1	4.09 103.9	3.37 85.6
218	3-7/16 3-1/2 85mm	36.1 17.5	2.80 71.1	8.44 214.4	3.62 91.9	6.75 171.5	3/4 M18	1.00 25.4	0.81 20.6	5.19 131.8	4.63 117.6	3.59 91.2

#C dimension will vary slightly depending on true shaft diameter.

FEATURES/BENEFITS PAGE B5-2	HOW TO ORDER/NOMENCLATURE PAGE B5-4	SELECTION PAGE B5-5	RELATED PRODUCTS PAGE B5-70
--------------------------------	--	------------------------	--------------------------------