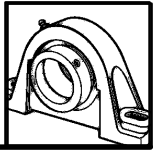
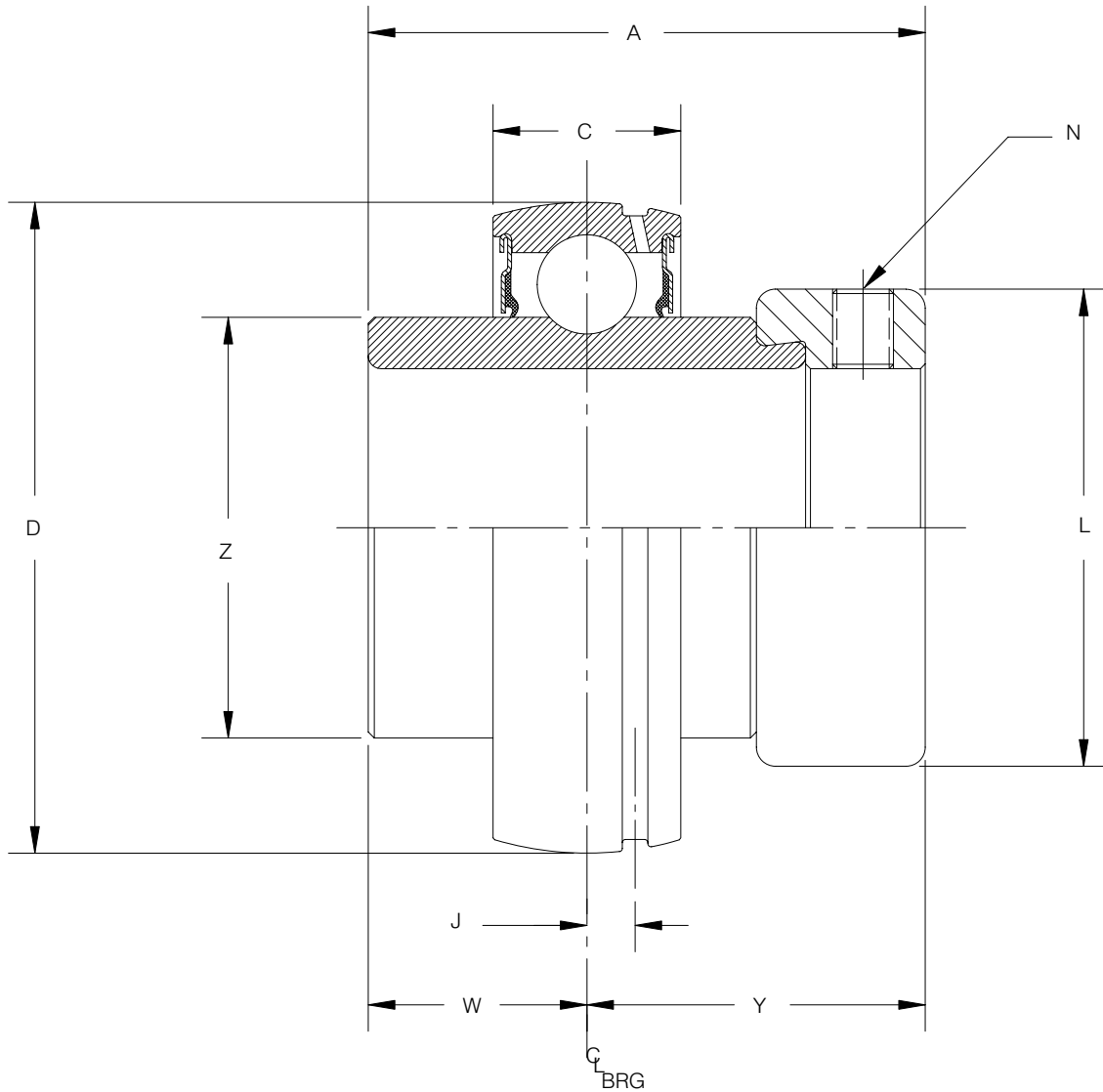


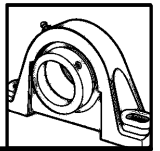
SELECTION/DIMENSIONS



Eccentric Collar Ball Bearings - Inch SXR Normal Duty Bearing Inserts



FEATURE/BENEFITS ECCENTRIC COLLAR BALL BRGS PAGE 126	HOW TO ORDER/ NOMENCLATURE PAGE 128	SELECTION PAGE 129	DIMENSIONS SXR METRIC INSERTS PAGE 178
------------------------------------------------------------	-------------------------------------------	-----------------------	----------------------------------------------



SELECTION/DIMENSIONS

Eccentric Collar Ball Bearings - Inch

SXR Normal Duty Bearing Inserts

Series	Shaft Size	Part Number	Description	Weight lbs.	A	C	D
203	1/2 5/8	131900	INS-SXR-008	.34	1-1/8	.511	1.5748
		131902	INS-SXR-010	.28			
204	3/4	131904	INS-SXR-012	.45	1-23/32	.5906	1.8504
205	7/8 15/16 1	131906	INS-SXR-014	.60	1-3/4	.5906	2.0472
		131907	INS-SXR-015	.56			
		131908	INS-SXR-100	.51			
206	1-1/16 1-1/8 1-3/16	131909	INS-SXR-101	.91	1-29/32	.7087	2.4409
		131910	INS-SXR-102	.89			
		131911	INS-SXR-103	.83			
207	1-1/4 1-5/16 1-3/8 1-7/16	131912	INS-SXR-104	1.44	2-1/64	.748	2.8346
		131913	INS-SXR-105	1.33			
		131914	INS-SXR-106	1.26			
		131915	INS-SXR-107	1.20			
208	1-1/2	131916	INS-SXR-108	1.74	2-7/32	.8661	3.1496
209	1-5/8 1-11/16 1-3/4	131918	INS-SXR-110	1.98	2-7/32	.8661	3.3465
		131919	INS-SXR-111	1.87			
		131920	INS-SXR-112	1.82			
210	1-15/16 2	131923	INS-SXR-115	2.18	2-15/32	.8661	3.5433
		131924	INS-SXR-200	2.03			
211	2 2-3/16	131934	INS-SXR-200L	3.35	2-13/16	.9449	3.970
		131927	INS-SXR-203	3.88			
212	2-1/4 2-7/16	131928	INS-SXR-204	3.78	3-1/16	1.0240	4.3307
		131931	INS-SXR-207	3.45			
215	2-15/16	131933	INS-SXR-215	4.46	3-5/8	1.142	5.1181

Series	Shaft Size	J	L	N	W	Y	Z
203	1/2 5/8	.150	1-1/8	10-32	.2559	.869	.957
204	3/4	.152	1-5/16	1/4-28	43/64	1-3/64	1.134
205	7/8 15/16 1	.152	1-1/2	1/4-28	11/16	1-1/16	1.331
206	1-1/16 1-1/8 1-3/16	.190	1-3/4	5/16-24	23/32	1-3/16	1.589
207	1-1/4 1-5/16 1-3/8 1-7/16	.202	2-1/8	5/16-24	.742	1.274	1.847
208	1-1/2	.202	2-3/8	5/16-24	27/32	1-3/8	2.084
209	1-5/8 1-11/16 1-3/4	.248	2-1/2	5/16-24	27/32	1-3/8	2.280
210	1-15/16 2	.248	2-3/4	3/8-24	31/32	1-1/2	2.473
211	2 2-3/16	.267	3	3/8-24	1-3/32	1-23/32	2.762
212	2-1/4 2-7/16	.250	3-5/16	7/16-20	1-7/32	1-27/32	3.049
215	2-15/16	.265	4	7/16-20	1-15/32	2-5/32	3.625

MODIFICATIONS PAGE 180	RELATED PRODUCTS PAGE 181		
---------------------------	------------------------------	--	--