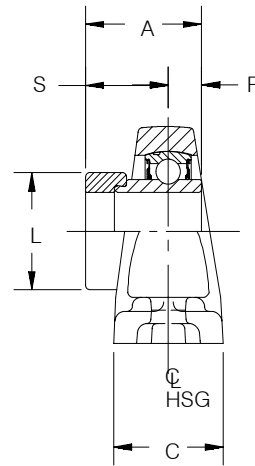
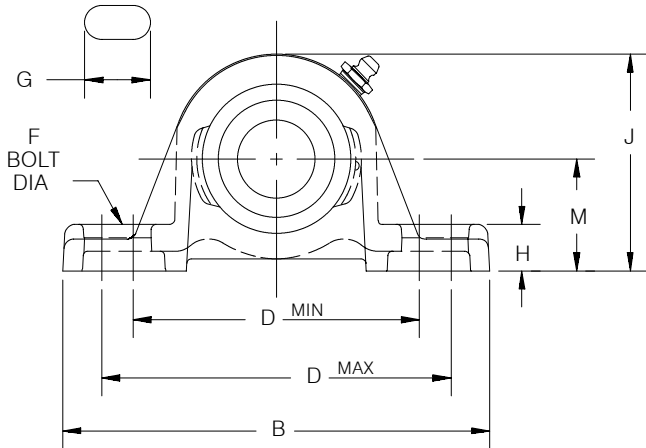


## SELECTION/DIMENSIONS

### Eccentric Collar Ball Bearings

#### SXR AND SXRU NORMAL DUTY PILLOW BLOCKS

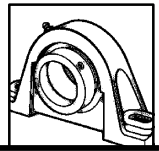


Series	Shaft Size	Part Number	Description
203	1/2	131800	P2B-SXR-008
	5/8	131801	P2B-SXR-010
203 (SXRU)	1/2	131341	P2B-SXRU-008
	5/8	131342	P2B-SXRU-010
	17mm	125655	P2B-SXRU-17M
204	3/4	131802	P2B-SXR-012
	20mm	125656	P2B-SCR-20M
205	7/8	131803	P2B-SXR-014
	15/16	131804	P2B-SXR-015
	1	131805	P2B-SXR-100
	25mm	125657	P2B-SXR-25M
206	1-1/16	131806	P2B-SXR-101
	1-1/8	131807	P2B-SXR-102
	1-3/16	131808	P2B-SXR-103
	1-1/4	@	P2B-SXR-104S
	30mm	@	P2B-SXR-30M
206 (SXRU)	1-1/16	131895	P2B-SXRU-101
	1-1/8	131896	P2B-SXRU-102
	1-3/16	131897	P2B-SXRU-103
	1-1/4	@	P2B-SXR-104S
	30mm	125658	P2B-SXR-30M
207	1-1/4	131809	P2B-SXR-104
	1-5/15	131810	P2B-SXR-105
	1*3/8	131811	P2B-SXR-106
	1-7/16	131812	P2B-SXR-107
	35MM	125659	P2B-SXR-35M

@ Assembled to order

FEATURE/BENEFITS ECCENTRIC COLLAR BALL BRGS PAGE B3-2	HOW TO ORDER/ NOMENCLATURE PAGE B3-4	SELECTION PAGE B3-5	
---	--	------------------------	--

# SELECTION/DIMENSIONS



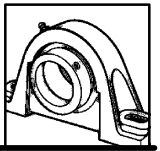
## Eccentric Collar Ball Bearings

### SXR AND SXRU NORMAL DUTY PILLOW BLOCKS

Series	Shaft Size	Weight lbs. kg.	A	B	C	D		F Bolt Dia.
						Min.	Max.	
203	1/2 5/8	1.2 1.0	1-1/8	5	1-7/32	3-1/4	4-1/16	3/8
203 (SXRU)	1/2 5/8 17mm	1.2 1.0	1-1/8 28.6	5 127.0	1-7/32 31.0	3-1/4 82.6	4-1/16 103.2	3/8 M10
204	3/4 20mm	1.6 0.4	1-23/32 43.7	5-1/4 133.4	1-11/32 34.1	3-3/8 85.7	4-3/16 106.4	3/8 M10
205	7/8 15/16 1 25mm	1.9 1.8 1.7 0.6	1-3/4 44.5	5-1/2 139.7	1-13/32 35.7	4-1/4 108.0	4-1/2 114.3	3/8 M12
206	1-1/16 1-1/8 1-3/16 1-1/4 30mm	2.8 2.7 2.6 2.5 1.1	1-29/32 48.4	6-1/4 158.8	1-3/4 44.5	4-1/4 108.0	5 127.0	1/2 M12
206 (SXRU)	1-1/16 1-1/8 1-3/16 1-1/4 30mm	2.9 2.8 2.7 2.6 1.2	1-29/32 48.4	6-1/4 158.8	1-3/4 44.5	4-1/4 108.0	5 127.0	1/2 M12
207	1-1/4 1-5/15 1*3/8 1-7/16 35MM	4.6 4.5 4.4 4.3 1.9	2-1/64 51.2	6-1/2 165.1	1-3/4 44.5	4-11-16 119.1	5-7/16 138.1	1/2 M12

Series	Shaft Size	G	H	J	L	M	R	S
203	1/2 5/8	27/32	15/32	2-5/32	1-1/8	1-1/16	0.256	0.869
203 (SXRU)	1/2 5/8 17mm	27/32 21.4	19/32 15.1	2-9/32 57.9	1-1/8 28.6	1-3/16 30.2	0.256 6.5	0.869 22.1
204	3/4 20mm	27/32 21.4	17/32 13.5	2-9/16 65.1	1-5/16 33.2	1-5/16 33.3	43/64 17.1	1-3/64 26.6
205	7/8 15/16 1 25mm	27/32 21.4	19/32 15.1	2-25/32 70.6	1-1/2 38.1	1-7/16 36.5	11/16 17.5	1-1/16 27.0
206	1-1/16 1-1/8 1-3/16 1-1/4 30mm	15/16 23.8	11/16 17.5	3-1/4 82.6	1-3/4 44.5	1-5/8 41.3	23/32 18.3	1-3/16 30.2
206 (SXRU)	1-1/16 1-1/8 1-3/16 1-1/4 30mm	15/16 23.8	3/4 19.1	3-5/16 84.1	1-3/4 44.5	1-11/16 42.9	23/32 18.3	1-3/16 30.2
207	1-1/4 1-5/16 1-3/8 1-7/16 35mm	15/16 23.8	23/32 18.3	3-3/4 95.3	2-1/8 54.0	1-7/8 47.6	0.742 18.8	1.274 32.4

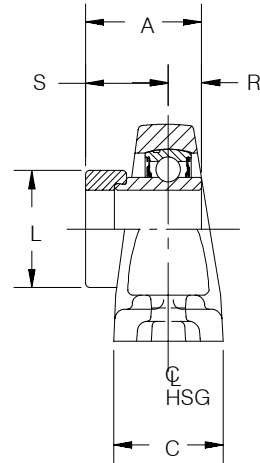
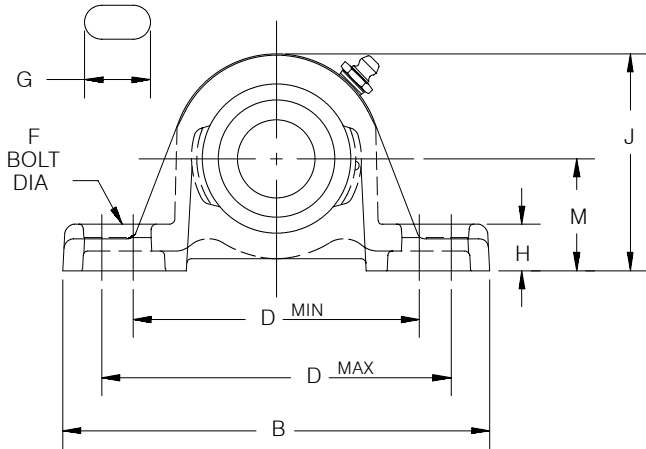
DIMENSIONS SXR INSERTS PAGE B3-70	MODIFICATIONS PAGE B3-74	RELATED PRODUCTS PAGE B3-75	
---	-----------------------------	--------------------------------	--



## SELECTION/DIMENSIONS

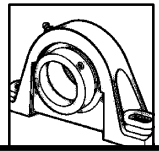
### Eccentric Collar Ball Bearings

#### SXR AND SXRU NORMAL DUTY PILLOW BLOCKS



Series	Shaft Size	Part Number	Description
208	1-1/2	<b>131813</b>	P2B-SXR-108
	40mm	<b>125660</b>	P2B-SXR-40M
209	1-5/8	<b>131814</b>	P2B-SXR-110
	1-11/16	<b>131815</b>	P2B-SXR-111
	1-3/4	<b>131816</b>	P2B-SXR-112
	45mm	<b>125661</b>	P2B-SXR-45M
210	1-15/16	<b>131817</b>	P2B-SXR-115
	2	<b>131818</b>	P2B-SXR-200
	50mm	<b>125662</b>	P2B-SXR-50M
211	2	<b>131339</b>	P2B-SXR-200L
	2-3/16	<b>131819</b>	P2B-SXR-203
	55mm	<b>125663</b>	P2B-SXR-55M
212	2-1/4	<b>131820</b>	P2B-SXR-204
	2-7/16	<b>131821</b>	P2B-SXR-207
	60mm	<b>125664</b>	P2B-SXR-60M
215	2-15/16	<b>131432</b>	P2B-SXR-215
215 (SXRU)	2-15/16	<b>131433</b>	P2B-SXRU-215
	75mm	<b>125665</b>	P2B0SXRU-75M

# SELECTION/DIMENSIONS



## Eccentric Collar Ball Bearings

### SXR AND SXRU NORMAL DUTY PILLOW BLOCKS

Series	Shaft Size	Weight lbs. kg.	A	B	C	D		F Bolt Dia.
						Min.	Max.	
208	1-1/2	5.3	2-7/32	7-1/4	1-15/16	5-3/16	5-7/8	1/2
	40mm	2.2	56.4	184.2	49.2	131.8	149.2	M12
209	1-5/8	6.6	2-7/32	7-7/16	2	5-1/2	6-3/8	1/2
	1-11/16	6.5						
	1-3/4	6.4						
	45mm	2.8	56.4	188.9	50.8	139.7	161.9	M12
210	1-15/16	7.4	2-15/32	8-1/8	2-1/4	6	6-11/16	5/8
	2	7.2						
	50mm	3.2	62.7	206.4	57.2	152.4	169.9	M16
211	2	9.8	2-13/16	8-7/8	2-5/16	6-3/8	7-7/16	5/8
	2-3/16	9.3						
	55mm	4.1	71.4	225.4	58.7	161.9	188.9	M16
212	2-1/4	11.6	3-1/16	9-1/2	2-3/8	6-7/8	7-15/16	5/8
	2-7/16	11.0						
	60mm	5.0	77.8	241.3	60.3	174.6	201.6	M16
215	2-15/16	21.0	6-5/8	11-3/4	2-7/8	8-1/2	9-1/2	7/8
215 (SXRU)	2-15/16	21.0	6-5/8	11-3/4	2-7/8	8-1/2	9-1/2	7/8
	75mm	9.3	168.3	298.5	73.0	215.9	241.3	M22

Series	Shaft Size	G	H	J	L	M	R	S
208	1-1/2	29/32	15/16	4-3/16	2-3/8	2-1/8	27/32	1-3/8
	40mm	23.0	19.1	101.6	60.3	49.2	21.4	34.9
209	1-5/8	29/32	3/4	4-9/32	2-1/2	2-1/8	27/32	1-3/8
	1-11/16							
	1-3/4							
	45mm	23.0	19.1	108.7	64.1	54.0	21.4	34.9
210	1-15/16	1-1/32	3/4	4-17/32	2-3/4	2-1/4	31/32	1-1/2
	2							
	50mm	26.2	19.1	115.1	69.9	57.2	24.6	38.1
211	2	1-7/32	7/8	4-31/32	3	2-1/2	1-3/32	1-23/32
	2-3/16							
	55mm	31.0	22.2	126.2	76.2	63.5	27.8	43.7
212	2-1/4	1-7/32	7/8	5-13/32	3-5/16	2-3/4	1-7/32	1-27/32
	2-7/16							
	60mm	31.0	22.2	137.3	84.1	69.9	31.0	46.8
215	2-15/16	1-5/16	15/16	6-3/4	4	3	4-15/32	2-5/32
		33.3	23.8	154.8	101.6	76.2	113.5	54.8
215 (SXRU)	2-15/16	1-7/16	1	6-1/2	4	3-1/2	4-15/32	2-5/32
	75mm	36.5	25.4	171.5	101.6	88.9	113.5	54.8

DIMENSIONS SXR INSERTS PAGE B3-70	MODIFICATIONS PAGE B3-74	RELATED PRODUCTS PAGE B3-75	
---	-----------------------------	--------------------------------	--