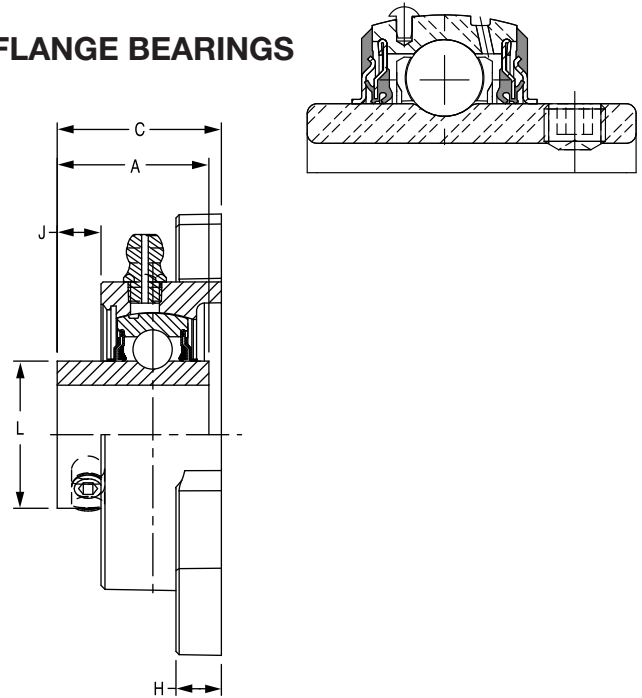
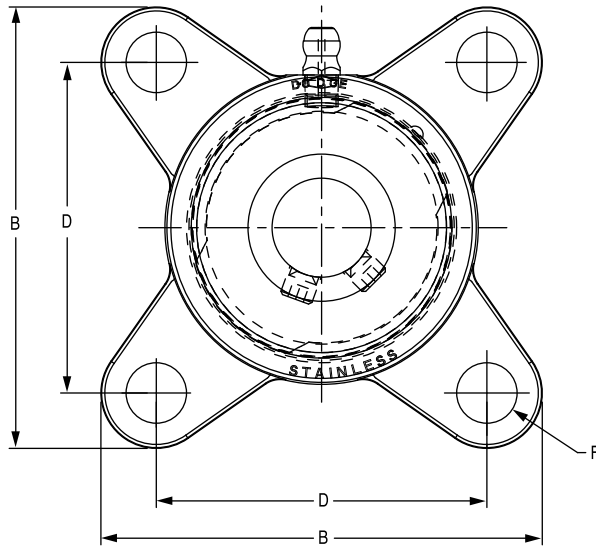


SELECTION/DIMENSIONS



E-Z KLEEN Mounted Bearings SCEZ NORMAL DUTY STAINLESS STEEL 4-BOLT FLANGE BEARINGS



Series	Shaft Size	With Corrosion Resistant Insert		With Insert With Flingers		Weight lbs kg	A	B	C	D	F Bolt Dia.	H	J	L
		Part No.	Description	Part No.	Description									
204	1/2	@	F4B-SCEZ-008L-SHCR*	@	F4B-SCEZ-008L-SH	1.16	1.23	3.35	1.25	2.51	3/8	0.34	0.34	1.12
	5/8	@	F4B-SCEZ-010L-SHCR*	@	F4B-SCEZ-010L-SH	1.12								
	3/4	127689	F4B-SCEZ-012-SHCR	056806	F4B-SCEZ-012-SH	1.08								
	20mm	127709	F4B-SCEZ-20M-SHCR	@	F4B-SCEZ-20M-SH	0.49	31.2	85.1	31.8	63.6	M10	8.6	8.6	28.4
205	7/8	065600	F4B-SCEZ-014-SHCR*	@	F4B-SCEZ-014-SH	1.47	1.34	3.75	1.37	2.75	3/8	0.37	0.38	1.32
	15/16	@	F4B-SCEZ-015-SHCR*	@	F4B-SCEZ-015-SH	1.43								
	1	127690	F4B-SCEZ-100-SHCR	056593	F4B-SCEZ-100-SH	1.39								
	25mm	127710	F4B-SCEZ-25M-SHCR	@	F4B-SCEZ-25M-SH	0.63	34.0	95.3	34.8	69.9	M10	9.4	9.7	33.5
206	1-1/8	@	F4B-SCEZ-102-SHCR*	049477	F4B-SCEZ-102-SH	2.13	1.52	4.16	1.59	3.24	3/8	0.37	0.45	1.57
	1-3/16	127691	F4B-SCEZ-103-SHCR	056807	F4B-SCEZ-103-SH	2.09								
	1-1/4	127692	F4B-SCEZ-104S-SHCR	@	F4B-SCEZ-104S-SH	2.05								
	30mm	127711	F4B-SCEZ-30M-SHCR	@	F4B-SCEZ-30M-SH	0.95	38.6	105.7	40.4	82.4	M10	9.4	11.4	39.9
207	1-1/4	127693	F4B-SCEZ-104-SHCR	056633	F4B-SCEZ-104-SH	2.95	1.71	4.68	1.76	3.62	1/2	0.42	0.55	1.84
	1-3/8	062835	F4B-SCEZ-106-SHCR*	@	F4B-SCEZ-106-SH	2.83								
	1-7/16	127694	F4B-SCEZ-107-SHCR	056808	F4B-SCEZ-107-SH	2.78								
	35mm	127712	F4B-SCEZ-35M-SHCR	@	F4B-SCEZ-35M-SH	1.29	43.4	118.9	44.7	92.0	M12	10.7	14.0	46.7
208	1-1/2	127695	F4B-SCEZ-108-SHCR	056809	F4B-SCEZ-108-SH	3.70	1.94	5.06	1.97	4.00	1/2	0.43	0.62	2.05
	1-5/8	@	F4B-SCEZ-110-SHCR*	062340	F4B-SCEZ-110-SH									
	40mm	127713	F4B-SCEZ-40M-SHCR	@	F4B-SCEZ-40M-SH	1.64	49.3	128.5	50.0	101.5	M12	10.9	15.7	52.1
210	1-11/16	@	F4B-SCMEZ-111-SHCR*	@	F4B-SCMEZ-111-SH	4.64	1.94	5.67	1.98	4.37	5/8	0.49	0.62	2.43
	1-3/4	@	F4B-SCMEZ-112-SHCR*	065945	F4B-SCMEZ-112-SH	4.40								
	1-15/16	127696	F4B-SCEZ-115-SHCR	056810	F4B-SCEZ-115-SH	4.60								
	2	062542	F4B-SCEZ-200-SHCR	@	F4B-SCEZ-200-SH	4.56								
50mm	127714	F4B-SCEZ-50M-SHCR	@	F4B-SCEZ-50M-SH	2.07	49.3	144.0	50.3	111.0	M16	12.4	15.7	61.7	

@ Assembled to order

*20 piece minimum

FEATURES/BENEFITS PAGE B2-3	HOW TO ORDER/NOMENCLATURE PAGE B2-8	SELECTION/DIMENSIONS PAGE B2-24	ACCESSORIES PAGE B2-77
--------------------------------	--	------------------------------------	---------------------------