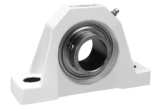
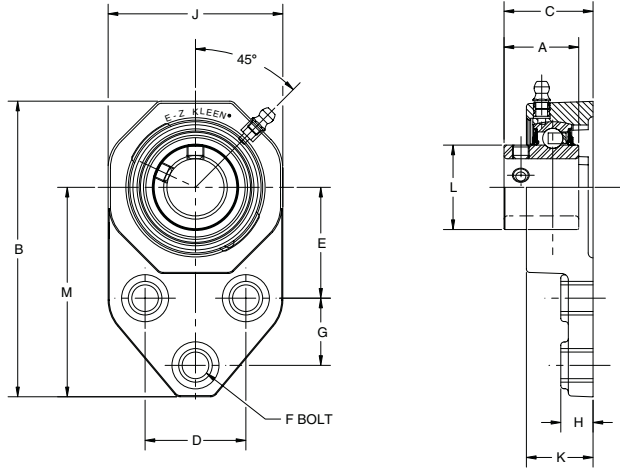


# SELECTION/DIMENSIONS



## E-Z KLEEN Mounted Bearings SCEZ NORMAL DUTY POLYMER HOUSED FLANGE BRACKETS



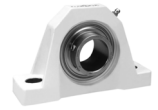
Series	Shaft Size	With Corrosion Resistant Insert		With Insert With Flingers	
		Part No.	Description	Part No.	Description
204	1/2	@	FB-SCEZ-008-PCR*	<b>062317</b>	FB-SCEZ-008-P
	5/8	@	FB-SCEZ-010-PCR*	@	FB-SCEZ-010-P
	3/4	<b>127533</b>	FB-SCEZ-012-PCR	<b>058336</b>	FB-SCEZ-012-P
	20 mm	<b>127570</b>	<i>FB-SCEZ-20M-PCR</i>	@	<i>FB-SCEZ-20M-P</i>
205	7/8	@	FB-SCEZ-014-PCR*	@	FB-SCEZ-014-P
	15/16	@	FB-SCEZ-015-PCR*	@	FB-SCEZ-015-P
	1	<b>127534</b>	FB-SCEZ-100-PCR	<b>057908</b>	FB-SCEZ-100-P
	25 mm	<b>127521</b>	<i>FB-SCEZ-25M-PCR</i>	@	<i>FB-SCEZ-25M-P</i>
206	1-1/8	@	FB-SCEZ-102-PCR*	@	FB-SCEZ-102-P
	1-3/16	<b>127535</b>	FB-SCEZ-103-PCR	@	FB-SCEZ-103-P
	1-1/4	<b>127536</b>	FB-SCEZ-104S-PCR	<b>058311</b>	FB-SCEZ-104S-P
	30 mm	<b>127522</b>	<i>FB-SCEZ-30M-PCR</i>	@	<i>FB-SCEZ-30M-P</i>
207	1-1/4	<b>127537</b>	FB-SCEZ-104-PCR	@	FB-SCEZ-104-P
	1-5/16	<b>058648</b>	FB-SCEZ-105-PCR*	@	FB-SCEZ-105-P
	1-3/8	@	FB-SCEZ-106-PCR*	@	FB-SCEZ-106-P
	1-7/16	<b>127538</b>	FB-SCEZ-107-PCR	@	FB-SCEZ-107-P
	35 mm	<b>127523</b>	<i>FB-SCEZ-35M-PCR</i>	@	<i>FB-SCEZ-35M-P</i>

@ Assembled to order

\* 20 piece minimum

FEATURES/BENEFITS PAGE B1-2	SELECTION PAGE B1-5	INTERCHANGE PAGE B1-88	ACCESSORIES PAGE B1-90
--------------------------------	------------------------	---------------------------	---------------------------

# SELECTION/DIMENSIONS



## E-Z KLEEN Mounted Bearings SCEZ NORMAL DUTY POLYMER HOUSED FLANGE BRACKETS

Bearing Quick Reference

E-Z KLEEN

GRIP TIGHT Adapter Ball Bearing

Set Screw Ball Bearing

Eccentric Collar Ball Bearing

Series	Shaft Size	Weight lbs kg	A	B	C	D	E	F Bolt Dia.	G	H	I	J	K	L
204	1/2	0.51	1-5/32	4-25/64	1-27/64	1-1/2	1-11/16	3/8	7/8	17/32	3-3/16	2-11/32	1-1/8	1-1/8
	5/8	0.49												
	3/4	0.47												
	20 mm	0.23	29.4	111.5	37.3	38.1	42.9	M10	22.2	13.5	81.1	59.4	28.4	28.6
205	7/8	0.73	1-3/16	4-29/32	1-15/32	1-5/8	1-13/16	3/8	1-1/8	35/64	3-17/32	2-23/32	1-9/64	1-21/64
	15/16	0.71												
	1	0.69												
	25 mm	0.32	30.2	124.6	40.1	41.3	46.1	M10	28.6	13.9	89.8	69.1	29.0	33.7
206	1-1/8	1.09	1-25/64	5-31/64	1-21/32	1-7/8	2-1/16	3/8	1-1/4	39/64	3-57/64	3-13/64	1-1/4	1-37/64
	1-3/16	1.07												
	1-1/4	1.05												
	30 mm	0.48	35.3	139.2	42.9	47.6	52.4	M10	31.8	15.5	98.6	81.3	31.8	40.1
207	1-1/4	1.87	1-17/32	6-7/64	1-51/64	2	2-3/8	1/2	1-1/4	5/8	4-15/64	3-45/64	1-9/32	1-27/32
	1-5/16	1.81												
	1-3/8	1.76												
	1-7/16	1.71												
	35 mm	0.83	38.9	155.2	46.4	50.8	60.3	M12	31.8	15.9	107.6	94.1	32.5	46.8

FEATURES/BENEFITS PAGE B1-2	SELECTION PAGE B1-5	INTERCHANGE PAGE B1-88	ACCESSORIES PAGE B1-90
--------------------------------	------------------------	---------------------------	---------------------------