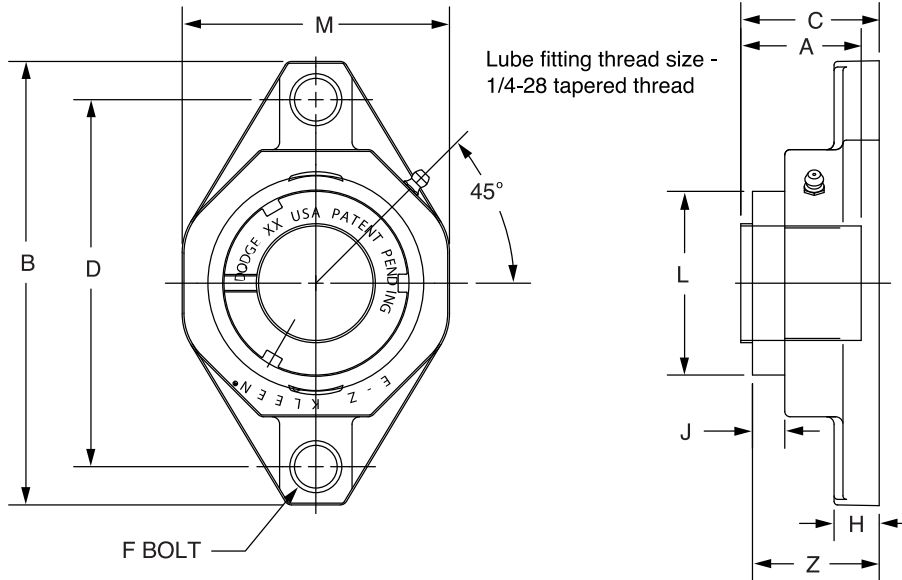
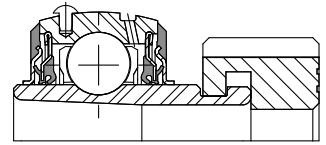




SELECTION/DIMENSIONS

E-Z KLEEN Mounted Bearings GTEZ NORMAL DUTY POLYMER HOUSED 2-BOLT FLANGE BEARINGS



Series	Shaft Size	Complete Unit		Unit Without Adapter		Adapter & Nut Assembly	
		Part No.	Description	Part No.	Description	Part No.	Description
204	3/4 20mm	129339	F2B-GTEZ-012-PCR	129548	F2B-GTEZ-04-PCR	129967	AN-GT-04-012-CR
		129340	F2B-GTEZ-20M-PCR			129980	AN-GT-04-20M-CR
205	1 25mm	129341	F2B-GTEZ-100-PCR	129549	F2B-GTEZ-05-PCR	129968	AN-GT-05-100-CR
		129342	F2B-GTEZ-25M-PCR			129981	AN-GT-05-25M-CR
206	1 -1/8 1 -3/16 1 -1/4 30mm	129394	F2B-GTEZ-102-PCR	129550	F2B-GTEZ-06-PCR	129969	AN-GT-06-102-CR
		129343	F2B-GTEZ-103-PCR			129970	AN-GT-06-103-CR
		129344	F2B-GTEZ-104S-PCR			129971	AN-GT-06-104S-CR
		129345	F2B-GTEZ-30M-PCR			129982	AN-GT-06-30M-CR
207	1 -1/4 1 -3/8 1 -7/16 35mm	129346	F2B-GTEZ-104-PCR	129551	F2B-GTEZ-07-PCR	129972	AN-GT-07-104-CR
		073406	F2B-GTEZ-106-PCR			129973	AN-GT-07-106-CR
		129347	F2B-GTEZ-107-PCR			129974	AN-GT-07-107-CR
		129348	F2B-GTEZ-35M-PCR			129983	AN-GT-07-35M-CR
208	1 -1/2 40mm	129349	F2B-GTEZ-108-PCR	129552	F2B-GTEZ-08-PCR	129975	AN-GT-08-108-CR
		129350	F2B-GTEZ-40M-PCR			129984	AN-GT-08-40M-CR
209	1 -11/16 1 -3/4 45mm	129351	F2B-GTEZ-111-PCR	129553	F2B-GTEZ-09-PCR	129976	AN-GT-09-111-CR
		064147	F2B-GTEZ-112-PCR			129977	AN-GT-09-112-CR
		129352	F2B-GTEZ-45M-PCR			129985	AN-GT-09-45M-CR
210	1 -15/16 2 50mm	129353	F2B-GTEZ-115-PCR	129554	F2B-GTEZ-10-PCR	129978	AN-GT-10-115-CR
		064503	F2B-GTEZ-200-PCR			129979	AN-GT-10-200-CR
		129354	F2B-GTEZ-50M-PCR			129986	AN-GT-10-50M-CR

@ Assembled to order

FEATURES/BENEFITS PAGE B2-3	HOW TO ORDER/NOMENCLATURE PAGE B2-8	SELECTION/DIMENSIONS PAGE B2-24	ACCESSORIES PAGE B2-77
--------------------------------	--	------------------------------------	---------------------------

SELECTION/DIMENSIONS



E-Z KLEEN Mounted Bearings GTEZ NORMAL DUTY POLYMER HOUSED 2-BOLT FLANGE BEARINGS

Bearing Reference Guide

ULTRA KLEEN

E-Z KLEEN

Extreme Duty

Setscrew Ball Bearing

GRIP TIGHT

D-LOK Ball Bearing

Size	Shaft Series	Weight lbs kg	A	B	C#	D	F Bolt Dia.	H	J	L	M	Z
204	3/4	0.77	1.48	4.45	1.72	3.54	3/8	0.53	0.61	1.50	2.35	1.73
	20mm	0.36	37.6	113.0	43.7	90.0	M10	13.5	15.5	38.1	59.7	43.9
205	1	1.01	1.46	4.92	1.70	3.90	3/8	0.54	0.58	1.80	2.71	1.72
	25mm	0.47	37.1	125.0	43.2	99.0	M10	13.7	14.7	45.7	68.8	43.7
206	1-1/8	1.56	1.61	5.58	1.84	4.59	3/8	0.60	0.64	2.08	3.19	1.88
	1-3/16	1.46										
	1-1/4	1.36										
	30mm	0.57	40.9	141.7	46.7	116.5	M10	15.2	16.3	52.8	81.0	47.8
207	1-1/4	2.18	1.62	6.31	1.86	5.12	1/2	0.62	0.64	2.38	3.69	1.92
	1-5/16	2.11										
	1-7/16	2.08										
	35mm	1.00	41.1	160.3	47.2	130.0	M12	15.7	16.3	60.5	93.7	48.8
208	1-1/2	2.75	1.84	6.77	2.12	5.65	1/2	0.67	0.67	2.62	4.06	2.12
	40mm	1.26	46.7	172.0	53.8	143.5	M12	17.0	17.0	66.5	103.1	53.8
209	1-5/8	3.11	1.85	7.07	2.12	5.85	9/16	0.72	0.69	2.86	4.31	2.15
	1-11/16	3.07										
	1-3/4	3.04										
	45mm	1.41	47.0	179.6	53.8	148.5	M14	18.3	17.5	72.6	109.5	54.6
210	1-15/16	3.64	1.86	7.47	2.26	6.18	5/8	0.76	0.70	3.13	4.50	2.29
	2	3.60										
	50mm	1.67	47.2	189.7	57.4	157.0	M16	19.3	17.8	79.5	114.3	58.2

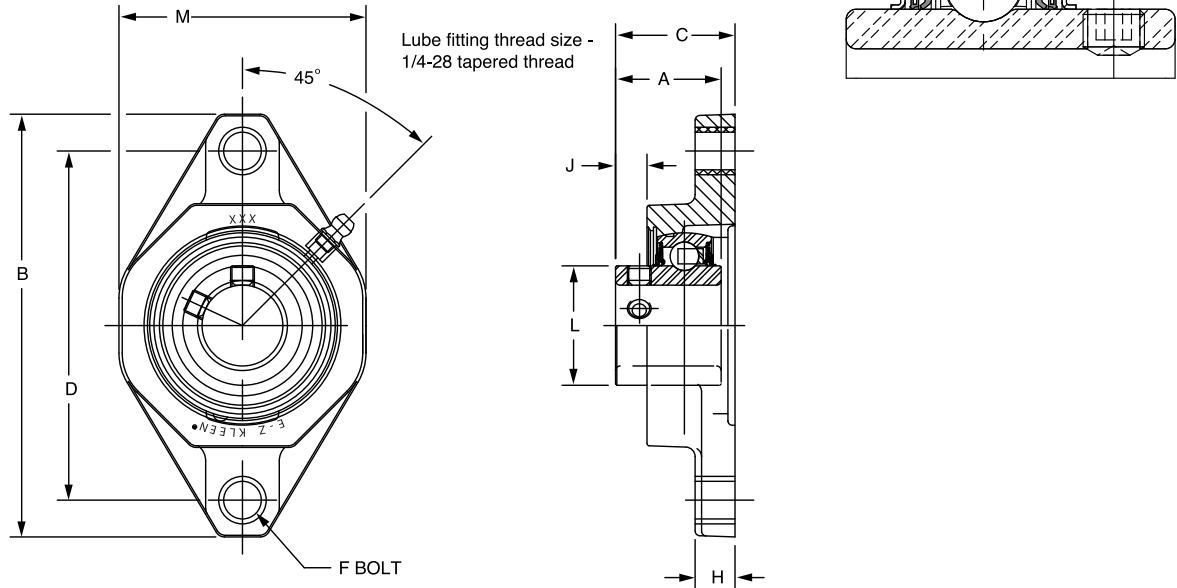
#C dimension will vary slightly depending on true shaft diameter.

FEATURES/BENEFITS PAGE B2-3	HOW TO ORDER/NOMENCLATURE PAGE B2-8	SELECTION/DIMENSIONS PAGE B2-24	ACCESSORIES PAGE B2-77
--------------------------------	--	------------------------------------	---------------------------

SELECTION/DIMENSIONS



E-Z KLEEN Mounted Bearings SCEZ NORMAL DUTY POLYMER HOUSED 2-BOLT FLANGE BEARINGS



Series	Shaft Size	With Corrosion Resistant Insert		Standard Insert With Flingers		Weight lbs kg	A	B	C	D	F Bolt Dia.	H	J	L	M
		Part No.	Description	Part No.	Description										
204	1/2	059823	F2B-SCEZ-008L-PCR*	@	F2B-SCEZ-008L-P	0.48	1.23	4.45	1.43	3.54	3/8	0.53	0.31	1.12	2.35
	5/8	058792	F2B-SCEZ-010L-PCR*	@	F2B-SCEZ-010L-P	0.44									
	3/4	127524	F2B-SCEZ-012-PCR	058404	F2B-SCEZ-012-P	0.40									
	20mm	127563	F2B-SCEZ-20M-PCR	@	F2B-SCEZ-20M-P	0.24	31.2	113.0	36.3	90.0	M10	13.5	7.9	28.4	59.7
205	7/8	@	F2B-SCEZ-014-PCR*	062837	F2B-SCEZ-014-P	0.64	1.34	4.92	1.50	3.90	3/8	0.54	0.36	1.32	2.71
	15/16	076841	F2B-SCEZ-015-PCR*	@	F2B-SCEZ-015-P	0.60									
	1	127525	F2B-SCEZ-100-PCR	057524	F2B-SCEZ-100-P	0.56									
	25mm	127564	F2B-SCEZ-25M-PCR	@	F2B-SCEZ-25M-P	0.28	34.0	125.0	38.1	99.0	M10	13.7	9.1	33.5	68.8
206	1-1/8	058470	F2B-SCEZ-102-PCR*	@	F2B-SCEZ-102-P	0.88	1.52	5.58	1.69	4.59	3/8	0.60	0.45	1.57	3.19
	1-3/16	127526	F2B-SCEZ-103-PCR	056449	F2B-SCEZ-103-P	0.86									
	1-1/4	127527	F2B-SCEZ-104S-PCR	057594	F2B-SCEZ-104S-P	0.84									
	30mm	127565	F2B-SCEZ-30M-PCR	@	F2B-SCEZ-30M-P	0.39	38.6	141.7	42.9	116.5	M10	15.2	11.4	39.9	81.0
207	1-1/4	127528	F2B-SCEZ-104-PCR	057687	F2B-SCEZ-104-P	1.36	1.71	6.31	1.82	5.12	1/2	0.62	0.54	1.84	3.69
	1-5/16	049380	F2B-SCEZ-105-PCR*	@	F2B-SCEZ-105-P	1.32									
	1-3/8	056893	F2B-SCEZ-106-PCR*	056526	F2B-SCEZ-106-P	1.28									
	1-7/16	127529	F2B-SCEZ-107-PCR	058941	F2B-SCEZ-107-P	1.24									
	35mm	127566	F2B-SCEZ-35M-PCR	@	F2B-SCEZ-35M-P	0.61	43.4	160.3	46.2	130.0	M12	15.7	13.7	46.7	93.7
208	1-1/2	127530	F2B-SCEZ-108-PCR	056580	F2B-SCEZ-108-P	1.82	1.94	6.77	2.08	5.65	1/2	0.67	0.63	2.05	4.06
	1-5/8	073651	F2B-SCEZ-110-PCR*	073638	F2B-SCEZ-110-P	1.78									
	40mm	127567	F2B-SCEZ-40M-PCR	@	F2B-SCEZ-40M-P	0.76	49.3	172.0	52.8	143.5	M12	17.0	16.0	52.1	103.1
209	1-5/8	@	F2B-SCEZ-110L-PCR*	@	F2B-SCEZ-110L-P	2.04	1.94	7.07	2.08	5.85	9/16	0.72	0.62	2.22	4.31
	1-11/16	127531	F2B-SCEZ-111-PCR	067986	F2B-SCEZ-111-P	2.00									
	1-3/4	@	F2B-SCEZ-112-PCR	065786	F2B-SCEZ-112-P	1.96									
	45mm	127568	F2B-SCEZ-45M-PCR	@	F2B-SCEZ-45M-P	0.88	49.3	179.6	52.8	148.5	M14	18.3	15.7	56.4	109.5
210	1-15/16	127532	F2B-SCEZ-115-PCR	058593	F2B-SCEZ-115-P	2.12	1.94	7.47	2.22	6.18	5/8	0.76	0.63	2.43	4.50
	2	049835	F2B-SCEZ-200-PCR	@	F2B-SCEZ-200-P	2.08									
	50mm	127569	F2B-SCEZ-50M-PCR	@	F2B-SCEZ-50M-P	0.96	49.3	189.7	56.4	157.0	M16	19.3	16.0	61.7	114.3

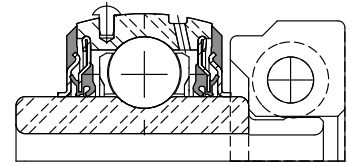
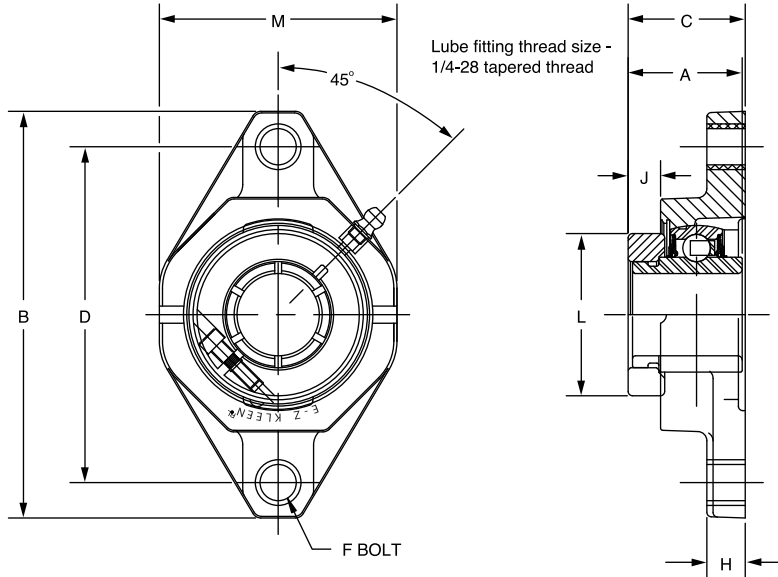
@ Assembled to order
* 20 piece minimum

FEATURES/BENEFITS PAGE B2-3	HOW TO ORDER/NOMENCLATURE PAGE B2-8	SELECTION/DIMENSIONS PAGE B2-24	ACCESSORIES PAGE B2-77
--------------------------------	--	------------------------------------	---------------------------

SELECTION/DIMENSIONS



E-Z KLEEN Mounted Bearings DLEZ NORMAL DUTY POLYMER HOUSED 2-BOLT FLANGE BEARINGS



Bearing Reference Guide

ULTRA KLEEN

E-Z KLEEN

Series	Shaft Size	With Corrosion Resistant Insert		Standard Insert With Flingers		Weight lbs kg	A	B	C	D	F Bolt Dia.	H	J	L	M
		Part No.	Description	Part No.	Description										
204	3/4	127602	F2B-DLEZ-012-PCR	@	F2B-DLEZ-012-P	0.77	1.28	4.45	0.37	3.54	3/8	0.53	1.49	1.71	2.35
	20mm	127641	F2B-DLEZ-20M-PCR	@	F2B-DLEZ-20M-P	0.36	32.5	113.0	9.4	90.0	M10	13.5	37.8	43.4	59.7
205	7/8	@	F2B-DLEZ-014-PCR*	@	F2B-DLEZ-014-P	1.09	1.44	4.92	1.60	3.90	3/8	0.54	0.46	1.99	2.71
	15/16	@	F2B-DLEZ-015-PCR*	@	F2B-DLEZ-015-P	1.05									
	1	127603	F2B-DLEZ-100-PCR	@	F2B-DLEZ-100-P	1.01									
	25mm	127642	F2B-DLEZ-25M-PCR	@	F2B-DLEZ-25M-P	0.47	36.6	125.0	40.6	99.0	M10	13.7	11.7	50.5	68.8
206	1-1/8	@	F2B-DLEZ-102-PCR*	@	F2B-DLEZ-102-P	1.56	1.56	5.58	1.73	4.59	3/8	0.60	0.49	2.22	3.19
	1-3/16	127604	F2B-DLEZ-103-PCR	@	F2B-DLEZ-103-P	1.46									
	1-1/4	127605	F2B-DLEZ-104S-PCR	@	F2B-DLEZ-104S-P	1.36									
	30mm	127643	F2B-DLEZ-30M-PCR	@	F2B-DLEZ-30M-P	0.57	39.6	141.7	43.9	116.5	M10	15.2	12.4	56.4	81.0
207	1-1/4	127606	F2B-DLEZ-104-PCR	@	F2B-DLEZ-104-P	2.18	1.75	6.31	1.86	5.12	1/2	0.62	0.58	2.69	3.69
	1-3/8	@	F2B-DLEZ-106-PCR*	@	F2B-DLEZ-106-P	2.11									
	1-7/16	127607	F2B-DLEZ-107-PCR	@	F2B-DLEZ-107-P	2.08									
	35mm	127644	F2B-DLEZ-35M-PCR	@	F2B-DLEZ-35M-P	1.00	44.5	160.3	47.2	130.0	M12	15.7	14.7	68.3	93.7
208	1-1/2	127608	F2B-DLEZ-108-PCR	@	F2B-DLEZ-108-P	2.75	2.01	6.77	2.15	5.65	1/2	0.67	0.70	2.74	4.06
	40mm	127645	F2B-DLEZ-40M-PCR	@	F2B-DLEZ-40M-P	1.26	51.1	172.0	54.6	143.5	M12	17.0	17.8	69.6	103.1
209	1-5/8	@	F2B-DLEZ-110L-PCR*	@	F2B-DLEZ-110L-P	3.11	2.01	7.07	2.15	5.85	9/16	0.72	0.69	2.99	4.31
	1-11/16	127609	F2B-DLEZ-111-PCR	@	F2B-DLEZ-111-P	3.07									
	1-3/4	@	F2B-DLEZ-112-PCR*	@	F2B-DLEZ-112-P	3.04									
	45mm	127646	F2B-DLEZ-45M-PCR	@	F2B-DLEZ-45M-P	1.41	51.1	179.6	54.6	148.5	M14	18.3	17.5	75.9	109.5
210	1-15/16	127610	F2B-DLEZ-115-PCR	@	F2B-DLEZ-115-P	3.64	2.01	7.47	2.29	6.18	5/8	0.76	0.70	3.24	4.50
	2	058515	F2B-DLEZ-200-PCR	@	F2B-DLEZ-200-P	3.60									
	50mm	127647	F2B-DLEZ-50M-PCR	@	F2B-DLEZ-50M-P	1.67	51.1	189.7	58.2	157.0	M16	19.3	17.8	82.3	114.3

@ Assembled to order
*20 piece minimum

Extreme Duty

Setscrew Ball Bearing

GRIP TIGHT

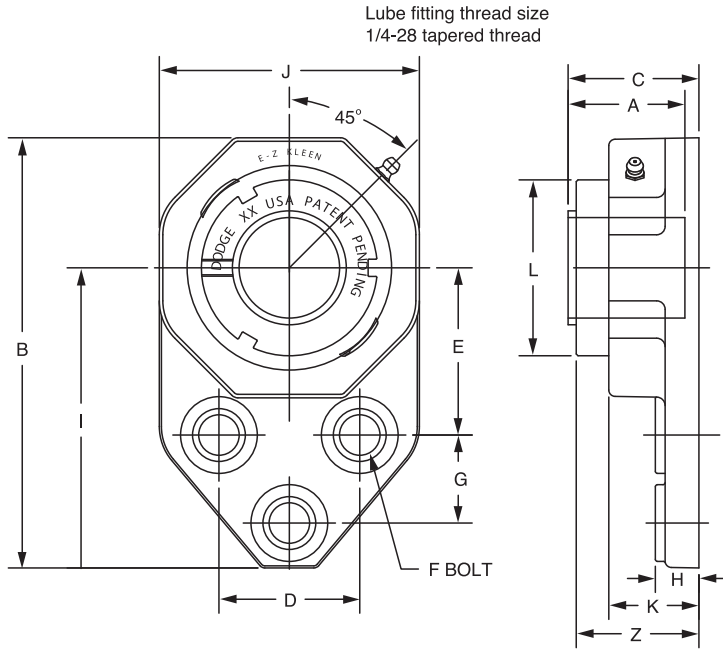
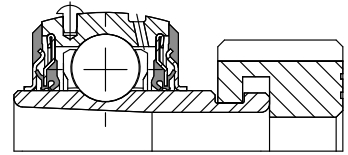
D-LOK Ball Bearing

FEATURES/BENEFITS PAGE B2-3	HOW TO ORDER/NOMENCLATURE PAGE B2-8	SELECTION/DIMENSIONS PAGE B2-24	ACCESSORIES PAGE B2-77
--------------------------------	--	------------------------------------	---------------------------



SELECTION/DIMENSIONS

E-Z KLEEN Mounted Bearings GTEZ NORMAL DUTY POLYMER HOUSED FLANGE BEARINGS



Series	Shaft Size	Complete Unit		Unit Without Adapter		Adapter & Nut Assembly	
		Part No.	Description	Part No.	Description	Part No.	Description
204	3/4	129627	FB-GTEZ-012-PCR	129555	FB-GTEZ-04-PCR	129967	AN-GT-04-012-CR
205	1	129629	FB-GTEZ-100-PCR	129556	FB-GTEZ-05-PCR	129968	AN-GT-05-100-CR
206	1-1/8	@	FB-GTEZ-102-PCR	129557	FB-GTEZ-06-PCR	129969	AN-GT-06-102-CR
	1-3/16	129631	FB-GTEZ-103-PCR			129970	AN-GT-06-103-CR
	1-1/4	129632	FB-GTEZ-104S-PCR			129971	AN-GT-06-104S-CR
207	1-1/4	129634	FB-GTEZ-104-PCR	129558	FB-GTEZ-07-PCR	129972	AN-GT-07-104-CR
	1-3/8	@	FB-GTEZ-106-PCR			129973	AN-GT-07-106-CR
	1-7/16	129635	FB-GTEZ-107-PCR			129974	AN-GT-07-107-CR

@ Assembled to order

Series	Shaft Size	Weight lbs ks	A	B	C#	D	E	F Bolt Dia.	G	H	I	J	K	L	Z
204	3/4	0.75	1.48	4.39	1.72	1.50	1.69	3/8	0.88	0.53	3.22	2.34	1.12	1.50	1.73
205	1	1.12	1.46	4.91	1.70	1.63	1.81	3/8	1.13	0.54	3.56	2.71	1.14	1.80	1.72
206	1-1/8	1.77	1.61	5.48	1.84	1.88	2.06	3/8	1.25	0.60	3.88	3.20	1.24	2.08	1.88
	1-3/16	1.67													
	1-1/4	1.57													
207	1-1/4	2.65	1.62	6.11	1.86	2.00	2.38	1/2	1.25	0.62	4.26	3.69	1.28	2.38	1.92
	1-3/8	2.58													
	1-7/16	2.55													

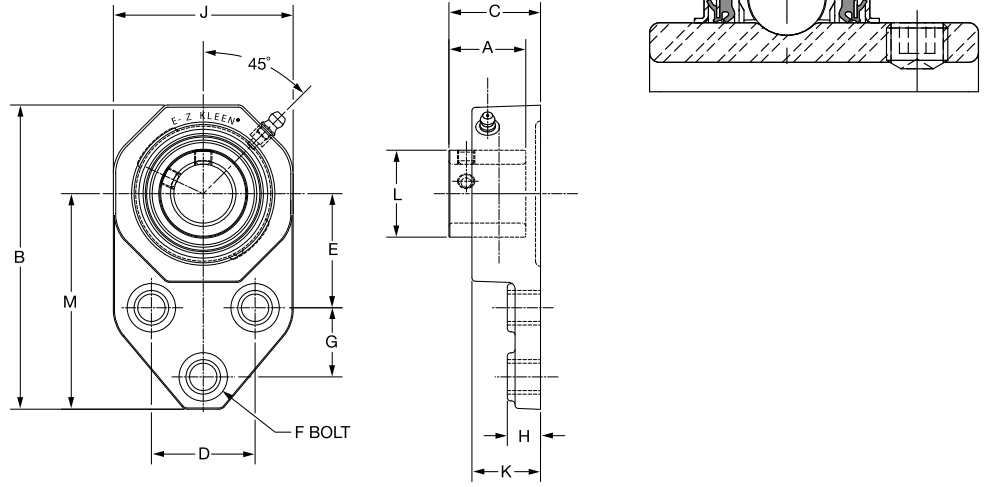
#C dimension will vary slightly depending on true shaft diameter

FEATURES/BENEFITS PAGE B2-3	HOW TO ORDER/NOMENCLATURE PAGE B2-8	SELECTION/DIMENSIONS PAGE B2-24	ACCESSORIES PAGE B2-77
--------------------------------	--	------------------------------------	---------------------------

SELECTION/DIMENSIONS



E-Z KLEEN Mounted Bearings SCEZ NORMAL DUTY POLYMER HOUSED FLANGE BRACKETS



Series	Shaft Size	With Corrosion Resistant Insert		With Insert With Flingers	
		Part No.	Description	Part No.	Description
204	1/2	@	FB-SCEZ-008-PCR*	062317	FB-SCEZ-008L-P
	5/8	@	FB-SCEZ-010-PCR*	@	FB-SCEZ-010-P
	3/4	127533	FB-SCEZ-012-PCR	058336	FB-SCEZ-012-P
	20mm	127570	FB-SCEZ-20M-PCR	@	FB-SCEZ-20M-P
205	7/8	@	FB-SCEZ-014-PCR*	@	FB-SCEZ-014-P
	15/16	@	FB-SCEZ-015-PCR*	@	FB-SCEZ-015-P
	1	127534	FB-SCEZ-100-PCR	057908	FB-SCEZ-100-P
	25mm	127521	FB-SCEZ-25M-PCR	@	FB-SCEZ-25M-P
206	1-1/8	@	FB-SCEZ-102-PCR*	@	FB-SCEZ-102-P
	1-3/16	127535	FB-SCEZ-103-PCR	@	FB-SCEZ-103-P
	1-1/4	127536	FB-SCEZ-104S-PCR	058311	FB-SCEZ-104S-P
	30mm	127522	FB-SCEZ-30M-PCR	@	FB-SCEZ-30M-P
207	1-1/4	127537	FB-SCEZ-104-PCR	@	FB-SCEZ-104-P
	1-5/16	058648	FB-SCEZ-105-PCR*	@	FB-SCEZ-105-P
	1-3/8	@	FB-SCEZ-106-PCR*	@	FB-SCEZ-106-P
	1-7/16	127538	FB-SCEZ-107-PCR	@	FB-SCEZ-107-P
35mm	127523	FB-SCEZ-35M-PCR	@	FB-SCEZ-35M-P	

@ Assembled to order * 20 piece minimum

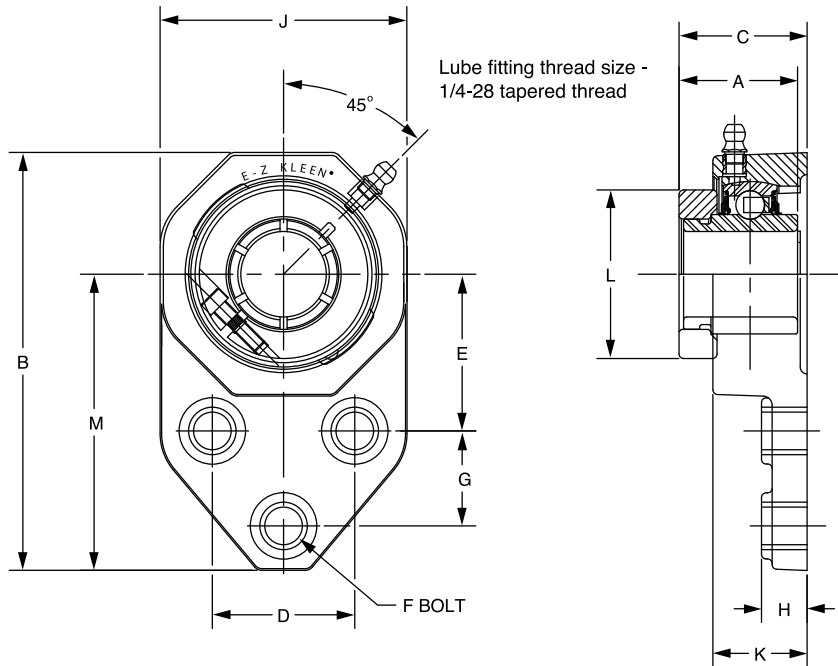
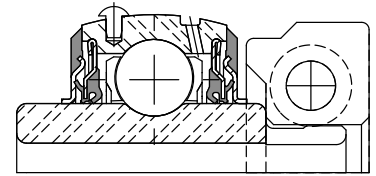
Series	Shaft Size	Weight lbs kg	A	B	C	D	E	F Bolt Dia.	G	H	I	J	K	L
204	1/2	0.51	1.23	4.39	1.44	1.50	1.69	3/8	0.88	0.53	3.22	2.34	1.12	1.12
	5/8	0.49												
	3/4	0.47												
	20mm	0.23	31.2	111.5	36.6	38.1	42.9	M10	22.4	13.5	81.8	59.4	28.4	28.4
205	7/8	0.73	1.34	4.91	1.50	1.63	1.81	3/8	1.13	0.54	3.56	2.71	1.14	1.32
	15/16	0.71												
	1	0.69												
	25mm	0.32	34.0	124.7	38.1	41.4	46.0	M10	28.7	13.7	90.4	68.8	29.0	33.5
206	1-1/8	1.09	1.52	5.48	1.69	1.88	2.06	3/8	1.25	0.60	3.88	3.20	1.24	1.57
	1-3/16	1.07												
	1-1/4	1.05												
	30mm	0.48	38.6	139.2	42.9	47.8	52.3	M10	31.8	15.2	98.6	81.3	31.5	39.9
207	1-1/4	1.87	1.71	6.11	1.82	2.00	2.38	1/2	1.25	0.62	4.26	3.69	1.28	1.84
	1-5/16	1.81												
	1-3/8	1.76												
	1-7/16	1.71												
35mm	0.83	43.4	155.2	46.2	50.8	60.5	M12	31.8	15.7	108.2	93.7	32.5	46.7	

FEATURES/BENEFITS PAGE B2-3	HOW TO ORDER/NOMENCLATURE PAGE B2-8	SELECTION/DIMENSIONS PAGE B2-24	ACCESSORIES PAGE B2-77
--------------------------------	--	------------------------------------	---------------------------

SELECTION/DIMENSIONS



E-Z KLEEN Mounted Bearings DLEZ NORMAL DUTY POLYMER HOUSED FLANGE BRACKETS



Series	Shaft Size	With Corrosion Resistant Insert		With Insert With Flingers	
		Part No.	Description	Part No.	Description
204	3/4	127611	FB-DLEZ-012-PCR	@	FB-DLEZ-012-P
	20mm	127648	FB-DLEZ-20M-PCR	@	FB-DLEZ-20M-P
205	7/8	@	FB-DLEZ-014-PCR*	@	FB-DLEZ-014-P
	15/16	@	FB-DLEZ-015-PCR*	@	FB-DLEZ-015-P
	1	127612	FB-DLEZ-100-PCR	@	FB-DLEZ-100-P
	25mm	127649	FB-DLEZ-25M-PCR	@	FB-DLEZ-25M-P
206	1-1/8	@	FB-DLEZ-102-PCR*	@	FB-DLEZ-102-P
	1-3/16	127613	FB-DLEZ-103-PCR	@	FB-DLEZ-103-P
	1-1/4	127614	FB-DLEZ-104S-PCR	@	FB-DLEZ-104S-P
	30mm	127650	FB-DLEZ-30M-PCR	@	FB-DLEZ-30M-P
207	1-1/4	127615	FB-DLEZ-104-PCR	@	FB-DLEZ-104-P
	1-3/8	@	FB-DLEZ-106-PCR*	@	FB-DLEZ-106-P
	1-7/16	127616	FB-DLEZ-107-PCR	@	FB-DLEZ-107-P
	35mm	127651	FB-DLEZ-35M-PCR	@	FB-DLEZ-35M-P

@ Assembled to order

* 20 piece minimum

FEATURES/BENEFITS PAGE B2-3	HOW TO ORDER/NOMENCLATURE PAGE B2-8	SELECTION/DIMENSIONS PAGE B2-24	ACCESSORIES PAGE B2-77
--------------------------------	--	------------------------------------	---------------------------

SELECTION/DIMENSIONS



E-Z KLEEN Mounted Bearings DLEZ NORMAL DUTY POLYMER HOUSED FLANGE BRACKETS

Bearing Reference Guide

ULTRA KLEEN

E-Z KLEEN

Extreme Duty

Setscrew Ball Bearing

GRIP TIGHT

D-LOK Ball Bearing

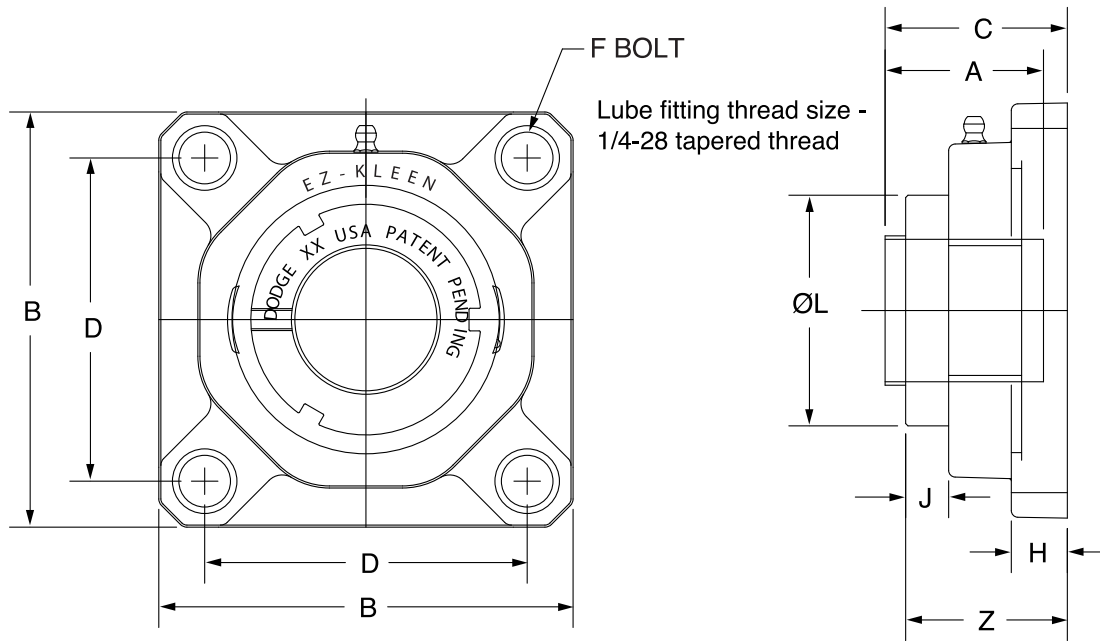
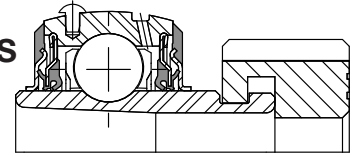
Series	Shaft Size	Weight lbs kg	A	B	C	D	E	F Bolt Dia.	G	H	I	J	K	L
204	3/4	0.75	1.28	4.39	0.37	1.50	1.69	3/8	0.88	0.53	3.22	2.34	1.12	1.71
	20mm	0.35	32.5	111.5	9.4	38.1	42.9	M10	22.4	13.5	81.8	59.4	28.4	43.4
205	7/8	1.32	1.44	4.91	1.60	1.63	1.81	3/8	1.13	0.54	3.56	2.71	1.14	1.99
	15/16	1.22												
	1	1.12												
206	25mm	0.51	36.6	124.7	40.6	41.4	46.0	M10	28.7	13.7	90.4	68.8	29.0	50.5
	1-1/8	1.77	1.56	5.48	1.73	1.88	2.06	3/8	1.25	0.60	3.88	3.20	1.24	2.22
	1-3/16	1.67												
	1-1/4	1.57												
207	30mm	0.76	39.6	139.2	43.9	47.8	52.3	M10	31.8	15.2	98.6	81.3	31.5	56.4
	1-1/4	2.65	1.75	6.11	1.86	2.00	2.38	1/2	1.25	0.62	4.26	3.69	1.28	2.69
	1-3/8	2.58												
	1-7/16	2.55												
	35mm	1.22	44.5	155.2	47.2	50.8	60.5	M12	31.8	15.7	108.2	93.7	32.5	68.3

FEATURES/BENEFITS PAGE B2-3	HOW TO ORDER/NOMENCLATURE PAGE B2-8	SELECTION/DIMENSIONS PAGE B2-24	ACCESSORIES PAGE B2-77
--------------------------------	--	------------------------------------	---------------------------



SELECTION/DIMENSIONS

E-Z KLEEN Mounted Bearings GTEZ NORMAL DUTY POLYMER HOUSED 4-BOLT FLANGE BEARINGS



Series	Shaft Size	Complete Unit		Unit Without Adapter		Adapter & Nut Assembly	
		Part No.	Description	Part No.	Description	Part No.	Description
204	3/4	129706	F4B-GTEZ-012-PCR	129541	F4B-GTEZ-04-PCR	129967	AN-GT-04-012-CR
	20mm	129707	F4B-GTEZ-20M-PCR			129980	AN-GT-04-20M-CR
205	1	129708	F4B-GTEZ-100-PCR	129542	F4B-GTEZ-05-PCR	129968	AN-GT-05-100-CR
	25mm	129709	F4B-GTEZ-25M-PCR			129981	AN-GT-05-25M-CR
206	1-1/8	068687	F4B-GTEZ-102-PCR	129543	F4B-GTEZ-06-PCR	129969	AN-GT-06-102-CR
	1-3/16	129710	F4B-GTEZ-103-PCR			129970	AN-GT-06-103-CR
	1-1/4	129711	F4B-GTEZ-104S-PCR			129971	AN-GT-06-104S-CR
	30mm	129712	F4B-GTEZ-30M-PCR			129982	AN-GT-06-30M-CR
207	1-1/4	129713	F4B-GTEZ-104-PCR	129544	F4B-GTEZ-07-PCR	129972	AN-GT-07-104-CR
	1-3/8	@	F4B-GTEZ-106-PCR			129973	AN-GT-07-106-CR
	1-7/16	129714	F4B-GTEZ-107-PCR			129974	AN-GT-07-107-CR
	35mm	129715	F4B-GTEZ-35M-PCR			129983	AN-GT-07-35M-CR
208	1-1/2	129716	F4B-GTEZ-108-PCR	129545	F4B-GTEZ-08-PCR	129975	AN-GT-08-108-CR
	40mm	129717	F4B-GTEZ-40M-PCR			129984	AN-GT-08-40M-CR
209	1-11/16	129718	F4B-GTEZ-111-PCR	129546	F4B-GTEZ-09-PCR	129976	AN-GT-09-111-CR
	1-3/4	064584	F4B-GTEZ-112-PCR			129977	AN-GT-09-112-CR
	45mm	129705	F4B-GTEZ-45M-PCR			129985	AN-GT-09-45M-CR
210	1-15/16	129719	F4B-GTEZ-115-PCR	129547	F4B-GTEZ-10-PCR	129978	AN-GT-10-115-CR
	2	129395	F4B-GTEZ-200-PCR			129979	AN-GT-10-200-CR
	50mm	129720	F4B-GTEZ-50M-PCR			129986	AN-GT-10-50M-CR

@ Assembled to order

FEATURES/BENEFITS PAGE B2-3	HOW TO ORDER/NOMENCLATURE PAGE B2-8	SELECTION/DIMENSIONS PAGE B2-24	ACCESSORIES PAGE B2-77
--------------------------------	--	------------------------------------	---------------------------

SELECTION/DIMENSIONS



E-Z KLEEN Mounted Bearings GTEZ NORMAL DUTY POLYMER HOUSED 4-BOLT FLANGE BEARINGS

Series	Shaft Size	Weight lbs kg	A	B	C#	D	F Bolt Dia.	H	J	L	Z
204	3/4	0.50	1.48	3.38	1.72	2.50	3/8	0.53	0.59	1.50	1.73
	20mm	0.30	37.6	85.9	43.7	63.5	M10	13.5	15.0	38.1	43.9
205	1	0.90	1.46	3.75	1.70	2.75	3/8	0.54	0.58	1.80	1.72
	25mm	0.30	37.1	95.3	43.2	69.9	M10	13.7	14.7	45.7	43.7
206	1-1/8	1.20	1.61	4.25	1.84	3.25	3/8	0.60	0.64	2.08	1.88
	1-3/16										
	1-1/4										
207	30mm	0.50	40.9	108.0	46.7	82.6	M10	15.2	16.3	52.8	47.8
	1-1/4	1.60	1.62	4.65	1.86	3.63	1/2	0.62	0.63	2.38	1.92
	1-3/8										
208	1-7/16	0.70	41.1	118.1	47.2	92.1	M12	15.7	16.0	60.5	48.8
	35mm										
	1-1/2										
209	40mm	2.00	1.84	5.12	2.12	4.00	1/2	0.67	0.66	2.62	2.12
	45mm	1.00	47.0	136.7	53.8	104.8	M14	18.3	17.5	72.6	54.6
210	1-11/16	2.30	1.85	5.38	2.12	4.13	9/16	0.72	0.69	2.86	2.15
	1-3/4										
	1-15/16										
210	2	2.30	1.86	5.62	2.26	4.38	5/8	0.76	0.70	3.13	2.29
	50mm										

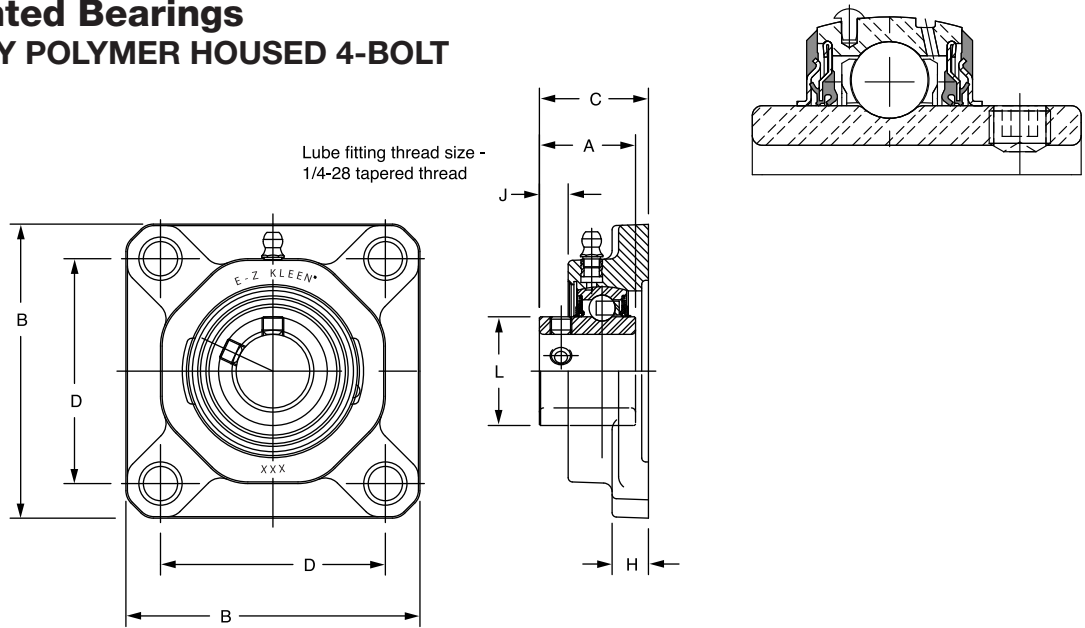
#C dimension will vary slightly depending on true shaft diameter.

FEATURES/BENEFITS PAGE B2-3	HOW TO ORDER/NOMENCLATURE PAGE B2-8	SELECTION/DIMENSIONS PAGE B2-24	ACCESSORIES PAGE B2-77
--------------------------------	--	------------------------------------	---------------------------

SELECTION/DIMENSIONS



E-Z KLEEN Mounted Bearings SCEZ NORMAL DUTY POLYMER HOUSED 4-BOLT FLANGE BEARINGS



Series	Shaft Size	With Corrosion Resistant Insert		With Insert With Flingers		Weight lbs kg	A	B	C	D	F Bolt Dia.	H	J	L
		Part No.	Description	Part No.	Description									
204	1/2	073224	F4B-SCEZ-008L-PCR*	@	F4B-SCEZ-008L-P	0.59	1.23	3.38	1.46	2.50	3/8	0.53	0.30	1.12
	5/8	@	F4B-SCEZ-010L-PCR*	@	F4B-SCEZ-010L-P	0.57								
	3/4	127515	F4B-SCEZ-012-PCR	056440	F4B-SCEZ-012-P	0.55								
	20mm	127556	F4B-SCEZ-20M-PCR	@	F4B-SCEZ-20M-P	0.27	31.2	85.9	37.0	63.5	M10	13.5	7.6	28.4
205	7/8	068424	F4B-SCEZ-014-PCR*	@	F4B-SCEZ-014-P	0.71	1.34	3.75	1.52	2.75	3/8	0.54	0.36	1.32
	15/16	@	F4B-SCEZ-015-PCR*	@	F4B-SCEZ-015-P	0.69								
	1	127516	F4B-SCEZ-100-PCR	058910	F4B-SCEZ-100-P	0.67								
	25mm	127557	F4B-SCEZ-25M-PCR	@	F4B-SCEZ-25M-P	0.32	34.0	95.3	38.6	69.9	M10	13.7	9.1	33.5
206	1-1/8	068053	F4B-SCEZ-102-PCR*	@	F4B-SCEZ-102-P	0.89	1.52	4.25	1.72	3.25	3/8	0.60	0.45	1.57
	1-3/16	127517	F4B-SCEZ-103-PCR	@	F4B-SCEZ-103-P	0.86								
	1-1/4	127518	F4B-SCEZ-104S-PCR	058594	F4B-SCEZ-104S-P	0.84								
	30mm	127558	F4B-SCEZ-30M-PCR	@	F2B-SCEZ-30M-P	0.39	38.6	108.0	43.7	82.6	M10	15.2	11.4	39.9
207	1-1/4	127519	F4B-SCEZ-104-PCR	074632	F4B-SCEZ-104-P	1.40	1.71	4.65	1.84	3.63	1/2	0.62	0.53	1.84
	1-5/16	@	F4B-SCEZ-105-PCR*	@	F4B-SCEZ-105-P	1.35								
	1-3/8	058294	F4B-SCEZ-106-PCR*	065780	F4B-SCEZ-106-P	1.30								
	1-7/16	127520	F4B-SCEZ-107-PCR	@	F4B-SCEZ-107-P	1.24								
208	35mm	127559	F4B-SCEZ-35M-PCR	@	F4B-SCEZ-35M-P	0.61	43.4	118.1	46.7	92.1	M12	15.7	13.5	46.7
	1-1/2	127521	F4B-SCEZ-108-PCR	058595	F4B-SCEZ-108-P	1.82	1.94	5.12	2.10	4.00	1/2	0.67	0.62	2.05
	1-5/8	062628	F4B-SCEZ-110-PCR*	@	F4B-SCEZ-110-P	1.68								
	40mm	127560	F4B-SCEZ-40M-PCR	@	F4B-SCEZ-40M-P	0.76	49.3	130.0	53.3	101.6	M12	17.0	15.7	52.1
209	1-5/8	@	F4B-SCEZ-110L-PCR*	@	F4B-SCEZ-110L-P	2.09	1.94	5.38	2.10	4.13	9/16	0.72	0.62	2.22
	1-11/16	127522	F4B-SCEZ-111-PCR	@	F4B-SCEZ-111-P	2.00								
	1-3/4	057907	F4B-SCEZ-112-PCR*	@	F4B-SCEZ-112-P	1.93								
	45mm	127561	F4B-SCEZ-45M-PCR	@	F4B-SCEZ-45M-P	0.88	49.3	136.7	53.3	104.8	M14	18.3	15.7	56.4
210	1-15/16	127523	F4B-SCEZ-115-PCR	@	F4B-SCEZ-115-P	2.12	1.94	5.62	2.24	4.38	5/8	0.76	0.63	2.43
	2	057899	F4B-SCEZ-200-PCR	@	F4B-SCEZ-200-P	2.03								
	50mm	127562	F4B-SCEZ-50M-PCR	@	F4B-SCEZ-50M-P	0.96	49.3	142.7	56.9	111.2	M16	19.3	16.0	61.7

@ Assembled to order

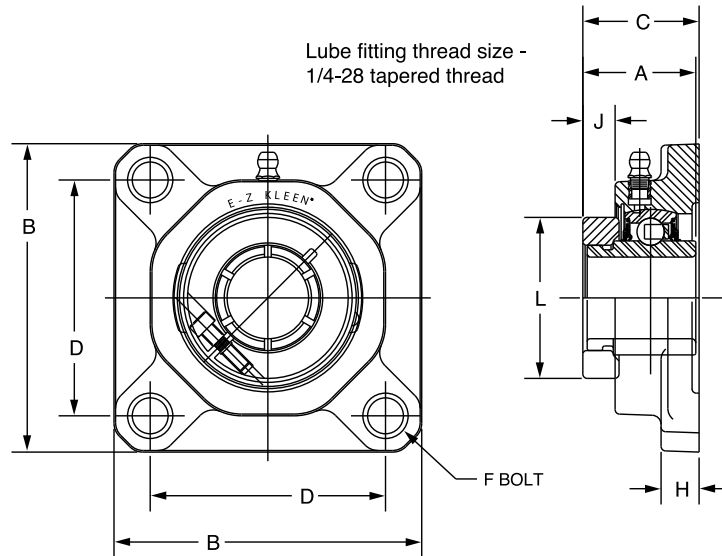
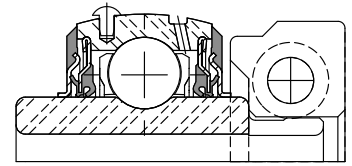
* 20 piece minimum

FEATURES/BENEFITS PAGE B2-3	HOW TO ORDER/NOMENCLATURE PAGE B2-8	SELECTION/DIMENSIONS PAGE B2-24	ACCESSORIES PAGE B2-77
--------------------------------	--	------------------------------------	---------------------------

SELECTION/DIMENSIONS



E-Z KLEEN Mounted Bearings DLEZ NORMAL DUTY POLYMER HOUSED 4-BOLT FLANGE BEARINGS



Series	Shaft Size	With Corrosion Resistant Insert		Standard Insert With Flingers		Weight lbs kg	A	B	C	D	F Bolt Dia.	H	J	L
		Part No.	Description	Part No.	Description									
204	3/4	127593	F4B-DLEZ-012-PCR	@	F4B-DLEZ-012-P	0.50	1.28	3.38	0.37	2.50	3/8	0.53	1.49	1.71
	20mm	127634	F4B-DLEZ-20M-PCR	@	F4B-DLEZ-20M-P	0.30	32.5	85.9	9.4	63.5	M10	13.5	37.8	43.4
205	7/8	@	F4B-DLEZ-014-PCR*	@	F4B-DLEZ-014-P	0.90	1.44	3.75	1.60	2.75	3/8	0.54	0.46	1.99
	15/16	@	F4B-DLEZ-015-PCR*	@	F4B-DLEZ-015-P	0.80								
	1	127594	F4B-DLEZ-100-PCR	@	F4B-DLEZ-100-P	0.70								
	25mm	127635	F4B-DLEZ-25M-PCR	@	F4B-DLEZ-25M-P	0.30	36.6	95.3	40.6	69.9	M10	13.7	11.7	50.5
206	1-1/8	@	F4B-DLEZ-102-PCR*	@	F4B-DLEZ-102-P	1.20	1.56	4.25	1.73	3.25	3/8	0.60	0.49	2.22
	1-3/16	127595	F4B-DLEZ-103-PCR	@	F4B-DLEZ-103-P	1.10								
	1-1/4	127596	F4B-DLEZ-104S-PCR	@	F4B-DLEZ-104S-P	1.10								
	30mm	127636	F4B-DLEZ-30M-PCR	@	F4B-DLEZ-30M-P	0.50	39.6	108.0	43.9	82.6	M10	15.2	12.4	56.4
207	1-1/4	127597	F4B-DLEZ-104-PCR	@	F4B-DLEZ-104-P	1.60	1.75	4.65	1.86	3.63	1/2	0.62	0.58	2.69
	1-3/8	@	F4B-DLEZ-106-PCR*	@	F4B-DLEZ-106-P	1.50								
	1-7/16	127598	F4B-DLEZ-107-PCR	@	F4B-DLEZ-107-P	1.40								
	35mm	127637	F4B-DLEZ-35M-PCR	@	F4B-DLEZ-35M-P	0.70	44.5	118.1	47.2	92.1	M12	15.7	14.7	68.3
208	1-1/2	127599	F4B-DLEZ-108-PCR	@	F4B-DLEZ-108-P	2.00	2.01	5.12	2.15	4.00	1/2	0.67	0.70	2.74
	40mm	127638	F4B-DLEZ-40M-PCR	@	F4B-DLEZ-40M-P	0.90	51.1	130.0	54.6	101.6	M12	17.0	17.8	69.6
209	1-5/8	@	F4B-DLEZ-110L-PCR*	@	F4B-DLEZ-110L-P	2.30	2.01	5.38	2.15	4.13	9/16	0.72	0.69	2.99
	1-11/16	127600	F4B-DLEZ-111-PCR	@	F4B-DLEZ-111-P	2.20								
	1-3/4	@	F4B-DLEZ-112-PCR*	@	F4B-DLEZ-112-P	2.10								
	45mm	127639	F4B-DLEZ-45M-PCR	@	F4B-DLEZ-45M-P	1.00	51.1	136.7	54.6	104.8	M14	18.3	17.5	75.9
210	1-15/16	127601	F4B-DLEZ-115-PCR	@	F4B-DLEZ-115-P	2.30	2.01	5.62	2.29	4.38	5/8	0.76	0.70	3.24
	2	058514	F4B-DLEZ-200-PCR*	@	F4B-DLEZ-200-P	2.20								
	50mm	127640	F4B-DLEZ-50M-PCR	@	F4B-DLEZ-50M-P	1.10	51.1	142.7	58.2	111.2	M16	19.3	17.8	82.3

@ Assembled to order

* 20 piece minimum

FEATURES/BENEFITS PAGE B2-3	HOW TO ORDER/NOMENCLATURE PAGE B2-8	SELECTION/DIMENSIONS PAGE B2-24	ACCESSORIES PAGE B2-77
--------------------------------	--	------------------------------------	---------------------------