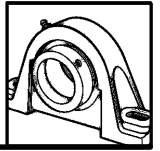
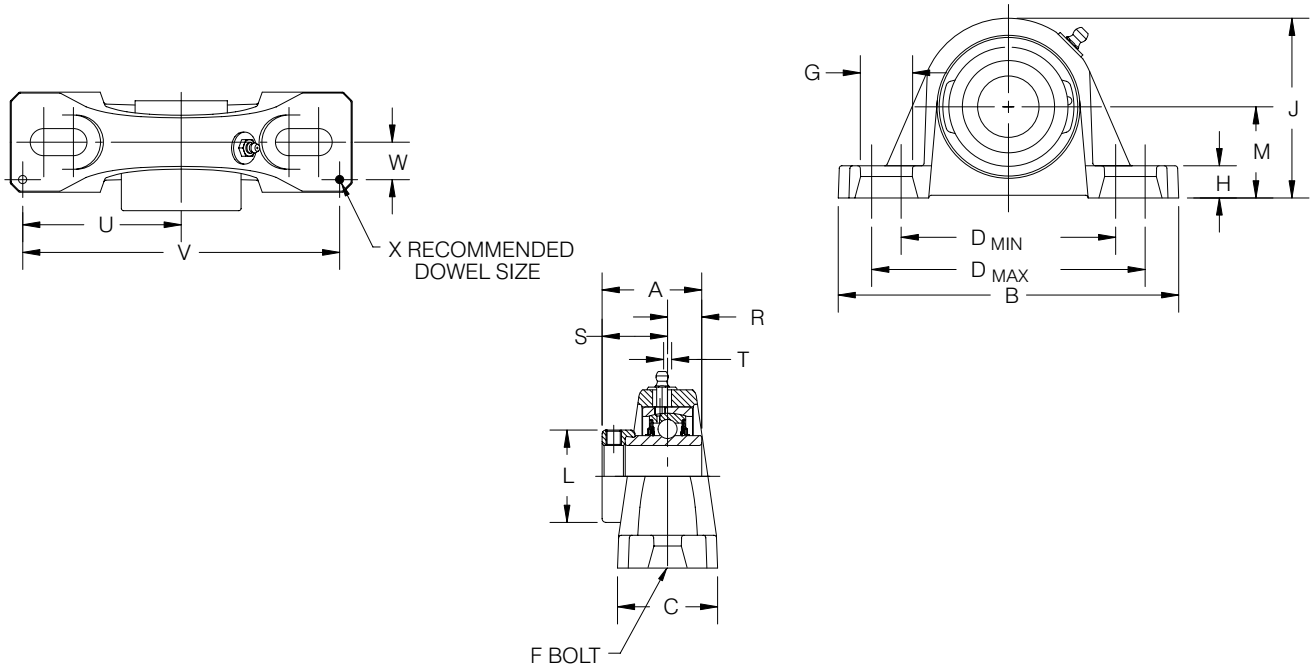


SELECTION/DIMENSIONS

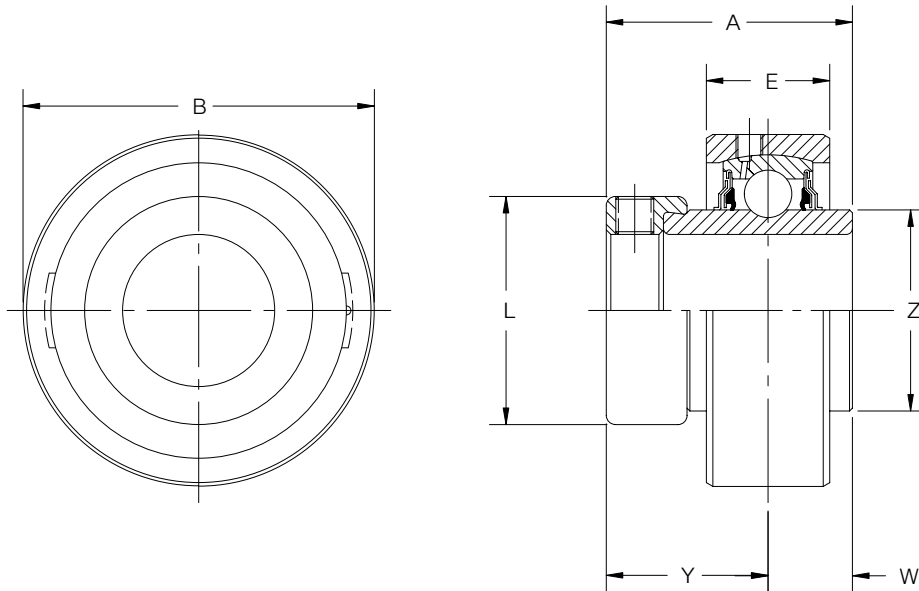


Eccentric Collar Ball Bearings - Inch SXRH-E Expansion Normal Duty Pillow Blocks

PATENT NUMBER 5536090

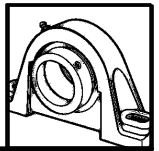


SXRH-E Expansion Normal Duty Bearing Units



FEATURE/BENEFITS ECCENTRIC COLLAR BALL BRGS PAGE 126	HOW TO ORDER/ NOMENCLATURE PAGE 128	SELECTION PAGE 129	DIMENSIONS SXRH NON-EXPANSION PIL- LOW BLOCKS PAGES 142
--	---	-----------------------	---

SELECTION/DIMENSIONS



Eccentric Collar Ball Bearings - Inch SXRH-E Expansion Normal Duty Pillow Blocks

Series	Shaft Size	Part Number	Description	Weight lbs	A	B	C	D		F Bolt Dia.	G	H	J
								Min.	Max				
206	1-3/16	126415	P2B-SXRH-103-E	5.0	1-29/32	6-7/8	2	4-9/16	5-7/16	1/2	1	11/16	3-13/16
207	1-7/16	126416	P2B-SXRH-107-E	6.9	2-1/64	7-15/16	2-1/32	5-1/16	6-5/16	1/2	1-3/16	3/4	4-3/16
210	1-15/16	126417	P2B-SXRH-115-E	10.8	2-15/32	9-1/2	2-1/2	6	7-1/2	5/8	1-7/16	7/8	5-3/32
211	2-3/16	126418	P2B-SXRH-203-E	15.7	2-13/16	10-1/4	3	6-5/8	7-7/8	3/4	1-7/16	1-1/16	5-5/8
212	2-7/16	126419	P2B-SXRH-207-E	20.1	3-1/16	11-1/4	3-1/4	7-3/16	8-13/16	3/4	1-5/8	1-1/16	6-1/4

Series	Shaft Size	L	M	R	S	T Total Expansion	U	V	W	X
206	1-3/16	1-3/4	1-7/8	23/32	1-3/16	3/16	3-1/8	6-1/4	11/16	3/16
207	1-7/16	2-1/8	2-1/8	3/4	1-17/64	3/16	3-11/16	7-3/8	23/32	3/16
210	1-15/16	2-3/4	2-1/2	31/32	1-1/2	1/4	4-3/8	8-3/4	7/8	1/4
211	2-3/16	3	2-3/4	1-3/32	1-23/32	1/4	4-3/4	9-1/2	1-1/8	1/4
212	2-7/16	3-5/16	3	1-7/32	1-27/32	1/4	5-1/4	10-1/2	1-1/4	1/4

SXRH-E Expansion Normal Duty Bearing Inserts

Series	Shaft Size	Part Number	Description	Part Number	Weight lbs	A	B	E	L	W	Y	Z
206	1-3/16	126475	INS-SXRH-103-E	126475	1.60	1-29/32	2.875	15/16	1-3/4	23/32	1-3/16	1.589
207	1-7/16	126476	INS-SXRH-107-E	126476	2.00	2-1/64	3.272	1	2-1/8	.742	1.274	1.847
210	1-15/16	126477	INS-SXRH-115-E	126477	3.50	2-15/32	4.000	1-13/32	2-3/4	31/32	1-1/2	2.473
211	2-3/16	126478	INS-SXRH-203-E	126478	4.80	2-13/16	4.475	1-7/16	3	1-3/32	1-23/32	2.762
212	2-7/16	126479	INS-SXRH-207-E	126479	6.00	3-1/16	5.035	1-5/8	3-5/16	1-7/32	1-27/32	3.049

MODIFICATIONS PAGE 180	RELATED PRODUCTS PAGE 181		
---------------------------	------------------------------	--	--