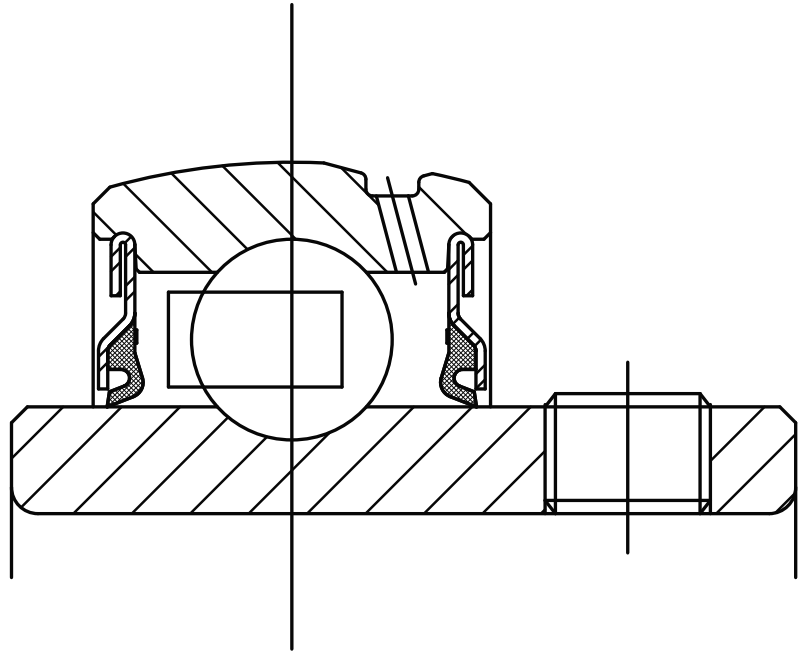




FEATURES/BENEFITS

Setscrew VSC Ball Bearings

- 65° Setscrew
- Wide Inner Ring Design NEW!
- Fiberglass Reinforced Nylon Cage
- Grade 10 Balls
- ProGuard Single Lip Seal
- No Groove in Housing for End Cover
- Multiple Housing Styles Available
 - P2B, F2B, F4B, WSTU, NSTU
- Bore Range
 - 1/2" To 2-3/16"
 - 20mm to 55mm



Note: Instruction manuals and drawings for Dodge are available on www.dodge-pt.com