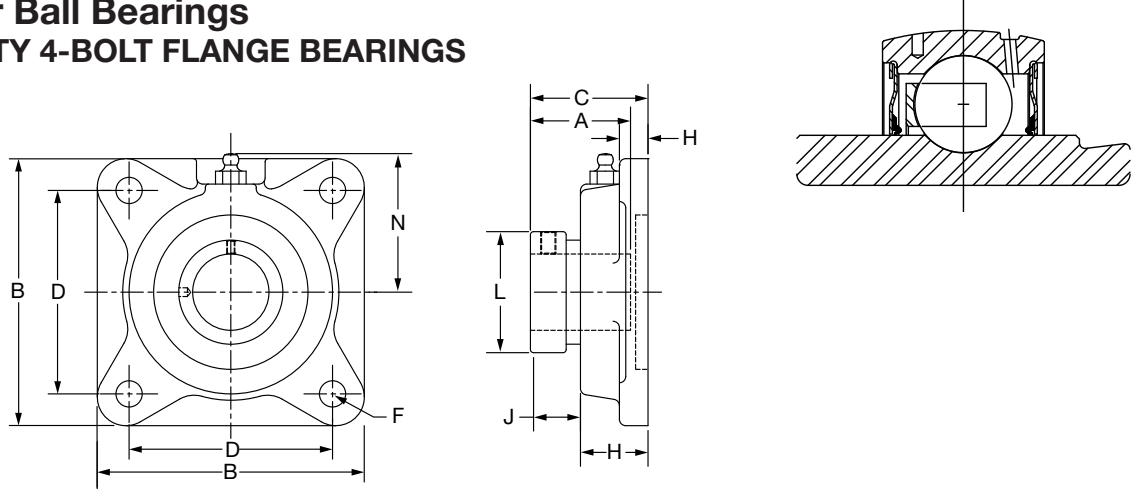




# SELECTION/DIMENSIONS

## Eccentric Collar Ball Bearings SXR NORMAL DUTY 4-BOLT FLANGE BEARINGS



Series	Shaft Size	Standard		With Flingers	
		Part No.	Description	Part No.	Description
203	1/2	<b>131100</b>	F4B-SXR-008	@	F4B-SXR-008-FF
	5/8	<b>131102</b>	F4B-SXR-010	@	F4B-SXR-010-FF
	17mm	<b>125666</b>	F4B-SXR-17M	@	F4B-SXR-17M-FF
204	3/4	<b>131104</b>	F4B-SXR-012	@	F4B-SXR-012-FF
	20mm	<b>125667</b>	F4B-SXR-20M	@	F4B-SXR-20M-FF
205	7/8	<b>131106</b>	F4B-SXR-014	@	F4B-SXR-014-FF
	15/16	<b>131107</b>	F4B-SXR-015	@	F4B-SXR-015-FF
	1	<b>131108</b>	F4B-SXR-100	<b>068207</b>	F4B-SXR-100-FF
	25mm	<b>125668</b>	F4B-SXR-25M	@	F4B-SXR-25M-FF
206	1-1/16	<b>131109</b>	F4B-SXR-101	@	F4B-SXR-101-FF
	1-1/8	<b>131110</b>	F4B-SXR-102	<b>068208</b>	F4B-SXR-102-FF
	1-3/16	<b>131111</b>	F4B-SXR-103	@	F4B-SXR-103-FF
	1-1/4	<b>064929</b>	F4B-SXR-104S	@	F4B-SXR-104S-FF
	30mm	<b>125669</b>	F4B-SXR-30M	@	F4B-SXR-30M-FF
207	1-1/4	<b>131113</b>	F4B-SXR-104	<b>068209</b>	F4B-SXR-104-FF
	1-5/16	<b>131114</b>	F4B-SXR-105	@	F4B-SXR-105-FF
	1-3/8	<b>131115</b>	F4B-SXR-106	@	F4B-SXR-106-FF
	1-7/16	<b>131116</b>	F4B-SXR-107	@	F4B-SXR-107-FF
	35mm	<b>125670</b>	F4B-SXR-35M	@	F4B-SXR-35M-FF
208	1-1/2	<b>131117</b>	F4B-SXR-108	@	F4B-SXR-108-FF
	40mm	<b>125671</b>	F4B-SXR-40M	@	F4B-SXR-40M-FF
209	1-5/8	<b>131120</b>	F4B-SXR-110	<b>068210</b>	F4B-SXR-110-FF
	1-11/16	<b>131121</b>	F4B-SXR-111	<b>068211</b>	F4B-SXR-111-FF
	1-3/4	<b>131122</b>	F4B-SXR-112	<b>068212</b>	F4B-SXR-112-FF
	45mm	<b>125672</b>	F4B-SXR-45M	@	F4B-SXR-45M-FF
210	1-15/16	<b>131125</b>	F4B-SXR-115	@	F4B-SXR-115-FF
	2	<b>131127</b>	F4B-SXR-200	@	F4B-SXR-200-FF
	50mm	<b>125673</b>	F4B-SXR-50M	@	F4B-SXR-50M-FF
211	2	<b>131343</b>	F4B-SXR-200L	@	F4B-SXR-200L-FF
	2-3/16	<b>131130</b>	F4B-SXR-203	@	F4B-SXR-203-FF
	55mm	<b>125674</b>	F4B-SXR-55M	@	F4B-SXR-55M-FF
212	2-1/4	<b>131132</b>	F4B-SXR-204	@	F4B-SXR-204-FF
	2-7/16	<b>131135</b>	F4B-SXR-207	@	F4B-SXR-207-FF
	60mm	<b>125675</b>	F4B-SXR-60M	@	F4B-SXR-60M-FF
215	2-15/16	<b>131137</b>	F4B-SXR-215	@	F4B-SXR-215-FF
	75mm	<b>125676</b>	F4B-SXR-75M	@	F4B-SXR-75M-FF

@ Assembled to order

FEATURES/BENEFITS PAGE B7-3	HOW TO ORDER/NOMENCLATURE PAGE B7-5	EASY SELECTION PAGE B7-8	ACCESSORIES PAGE B7-44
--------------------------------	--	-----------------------------	---------------------------

# SELECTION/DIMENSIONS



## Eccentric Collar Ball Bearings SXR NORMAL DUTY 4-BOLT FLANGE BEARINGS

Series	Shaft Size	Weight lbs kg	A	B	C	D	F Bolt Dia.	H	J	L	N
203	1/2	1.2	1.47	3.00	1.45	2.13	3/8	0.44	0.61	1.13	1.69
	5/8	1.1									
	17mm	0.5	37.3	76.2	36.8	54.0	M10	11.2	15.5	28.7	42.9
204	3/4	1.6	1.55	3.38	1.66	2.50	3/8	0.44	0.68	1.31	1.94
	20mm	0.8	39.4	85.9	42.2	63.5	M10	11.2	17.3	33.3	49.3
205	7/8	2.3	1.62	3.75	1.65	2.75	7/16	0.50	0.70	1.50	2.06
	15/16	2.2									
	1	2.1									
206	25mm	0.9	41.1	95.3	41.9	69.9	M10	12.7	17.8	38.1	52.3
	1-1/16	3.1	1.77	4.25	1.81	3.25	7/16	0.50	0.74	1.75	2.19
	1-1/8	3.0									
	1-3/16	2.9									
207	1-1/4	2.8									
	30mm	1.3	45.0	108.0	46.0	82.6	M10	12.7	18.8	44.5	55.6
	1-1/4	4.2	1.95	4.75	1.99	3.63	1/2	0.56	0.77	2.13	2.44
	1-5/16	4.1									
	1-3/8	4.0									
208	1-7/16	3.9									
	35mm	1.8	49.5	120.7	50.5	92.1	M12	14.2	19.6	54.1	62.0
	1-1/2	5.1	2.12	5.13	2.15	4.00	1/2	0.56	0.81	2.38	2.38
	40mm	2.3	53.8	130.3	54.6	101.6	M12	14.2	20.6	60.5	60.5
209	1-5/8	6.4	2.13	5.38	2.18	4.13	1/2	0.63	0.77	2.50	2.75
	1-11/16	6.2									
	1-3/4	6.0									
210	45mm	2.7	54.1	136.7	55.4	104.8	M12	16.0	19.6	63.5	69.9
	1-15/16	7.0	2.25	5.63	2.33	4.38	5/8	0.63	0.86	2.75	2.88
	2	6.8									
211	50mm	3.1	57.2	143.0	59.2	111.1	M16	16.0	21.8	69.9	73.2
	2	10.2	2.59	6.50	2.65	5.13	5/8	0.69	1.05	3.00	3.25
	2-3/16	9.7									
212	55mm	4.4	65.8	165.1	67.3	130.2	M16	17.5	26.7	76.2	82.6
	2-1/4	11.8	2.74	6.88	2.81	5.63	5/8	0.69	1.10	3.31	3.50
	2-7/16	11.3									
215	60mm	6.0	69.6	174.8	71.4	141.2	M16	17.5	27.9	84.1	88.9
	2-15/16	18.2	3.02	7.75	3.58	6.00	3/4	1.00	1.33	4.00	3.88
	75mm	8.2	76.7	196.9	90.9	152.4	M18	25.4	33.8	101.6	98.6

FEATURES/BENEFITS PAGE B7-3	HOW TO ORDER/NOMENCLATURE PAGE B7-5	EASY SELECTION PAGE B7-8	ACCESSORIES PAGE B7-44
--------------------------------	--	-----------------------------	---------------------------