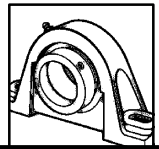
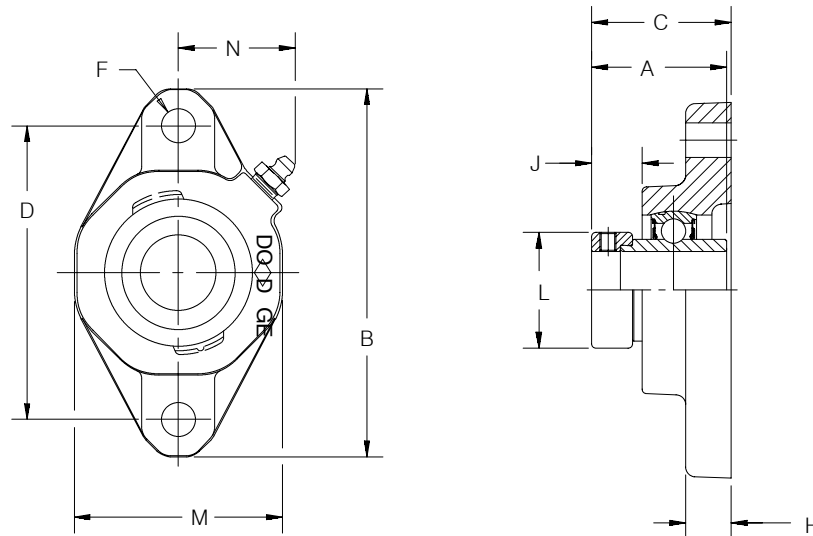


# SELECTION/DIMENSIONS



## Eccentric Collar Ball Bearings

### SXR NORMAL DUTY 2-BOLT FLANGE BEARINGS

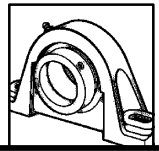


Series	Shaft Size	Part Number	Description
203	1/2	131050	F2B-SXR-008
	5/8	131052	F2B-SXR-010
	17mm	125677	F2B-SXR-17M
204	3/4 20mm	131054 125678	F2B-SXR-012 F2B-SXR-20M
205	7/8	131056	F2B-SXR-014
	15/16	131057	F2B-SXR-015
	1	131058	F2B-SXR-100
	25mm	125679	F2B-SXR-25M
206	1-1/16	131059	F2B-SXR-101
	1-1/8	131060	F2B-SXR-102
	1-3/16	131061	F2B-SXR-103
	1-1/4	@	F2B-SXR-104S
	30mm	125680	F2B-SXR-30M
207	1-1/4	131063	F2B-SXR-104
	1-5/16	131064	F2B-SXR-105
	1-3/8	131065	F2B-SXR-106
	1-7/16	131066	F2B-SXR-107
	35mm	125681	F2B-SXR-35M
208	1-1/2 40mm	131067 125682	F2B-SXR-108 F2B-SXR-40M
209	1-5/8	131070	F2B-SXR-110
	1-11/16	131071	F2B-SXR-111
	1-3/4	131072	F2B-SXR-112
	45mm	125683	F2B-SXR-45M
210	1-15/16	131075	F2B-SXR-115
	2	131077	F2B-SXR-200
	50mm	125684	F2B-SXR-50M
211	2	@	F2B-SXR-200L
	2-3/16	131074	F2B-SXR-203
	55mm	@	F2B-SXR-55M

@ Assembled to order

FEATURE/BENEFITS ECCENTRIC COLLAR BALL BRGS PAGE B3-2	HOW TO ORDER/ NOMENCLATURE PAGE B3-4	SELECTION PAGE B3-5	
---	--	------------------------	--

# SELECTION/DIMENSIONS



## Eccentric Collar Ball Bearings

### SXR NORMAL DUTY 2-BOLT FLANGE BEARINGS

Series	Shaft Size	Weight lbs kg	A	B	C	D	F Bolt Dia.	H	J	L	M	N
203	1/2	0.9	1-1/8	3-7/8	1-19/32	3	3/8	33/64	39/64	1-1/8	2-1/32	1-3/16
	5/8	0.8										
	17mm	0.4	28.6	98.4	40.5	76.2	M10	13.1	15.5	28.6	51.6	30.2
204	3/4	1.2	1-23/32	4-27/64	1-61/64	3-17/32	3/8	19/32	41/64	1-5/16	2-3/8	1-3/8
	20mm	0.5	43.7	112.3	49.6	89.7	M10	15.8	16.2	33.3	60.3	34.9
205	7/8	1.7	1-3/4	4-7/8	1-13/16	3-57/64	7/16	19/32	21/32	1-1/2	2-3/4	1-9/16
	15/16	1.6										
	1	1.5										
206	1-1/16	2.4	1-29/32	5-9/16	1-63/64	4-19/32	7/16	5/8	47/64	1-3/4	3-1/4	1-3/4
	1-1/8	2.3										
	1-3/16	2.2										
207	1-1/4	3.6	2-1/64	6-1/8	2-7/64	5-1/8	1/2	41/64	25/32	2-1/8	3-3/4	1-57/64
	1-5/16	3.5										
	1-3/8	3.4										
208	1-7/16	3.3										
	35mm	1.5	51.2	155.6	53.6	130.2	M12	16.3	19.8	54.0	95.3	48.0
	1-1/2	4.3	2-7/32	6-3/4	2-21/64	5-21/32	1/2	21/32	25/32	2-3/8	4-1/8	1-7/8
209	40mm	1.9	56.4	171.5	59.1	143.7	M12	16.7	19.8	60.3	104.8	47.6
	1-5/8	5.3	2-7/32	7-1/6	2-5/16	5-27/32	1/2	41/64	25/32	2-1/2	4-3/8	1-31/32
	1-11/16	5.1										
210	1-3/4	4.9										
	45mm	2.2	56.4	179.4	58.7	148.4	M12	16.3	19.8	64.1	111.1	50.0
	1-15/16	5.8	2-15/32	7-7/16	2-19/32	6-3/16	5/8	25/32	53/64	2-3/4	4-9/16	2-1/32
211	2	5.6										
	50mm	2.6	62.7	188.9	65.9	157.2	M16	19.8	21.0	69.9	115.9	51.6
	2-3/16	7.8	2-13/16	8-1/2	2-15/16	7-1/4	5/8	13/16	1-1/32	3	5-1/4	2-9/32
211	55mm	3.5	71.4	215.9	74.6	184.2	M16	20.6	26.2	76.2	133.4	57.9

FEATURE/BENEFITS ECCENTRIC COLLAR BALL BRGS PAGE B3-2	HOW TO ORDER/ NOMENCLATURE PAGE B3-4	SELECTION PAGE B3-5	
---	--	------------------------	--