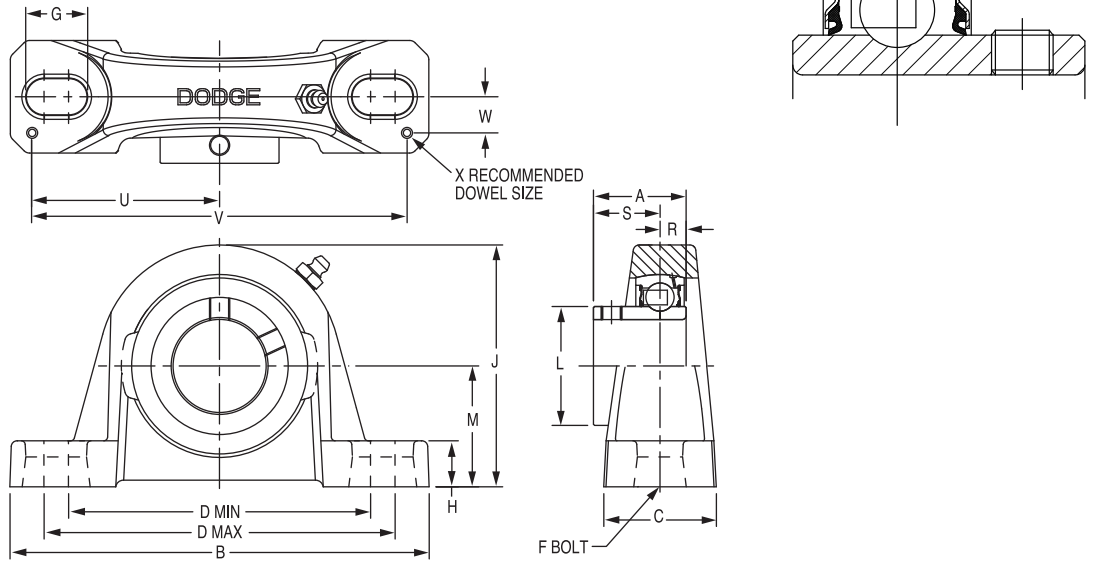




## SELECTION/DIMENSIONS

### Setscrew VSC Ball Bearings VSC AND VSCU INTERMEDIATE DUTY PILLOW BLOCKS



**Lube Fitting**  
203 series - 1/4-28 tapered thread  
204 series and larger - 1/8-27 NPT

Series	Shaft Size	Standard		No-Lube/Sealed for Life (-NL)	
		Part No.	Description	Part No.	Description
203	1/2	<b>125500</b>	P2B-VSC-008	<b>049887</b>	P2B-VSC-008-NL
	5/8	<b>125501</b>	P2B-VSC-010	@	P2B-VSC-010-NL
	17mm	@	P2B-VSC-17M	@	P2B-VSC-17M-NL
203 (VSCU)	1/2	<b>125513</b>	P2B-VSCU-008	@	P2B-VSCU-008-NL
	5/8	<b>125514</b>	P2B-VSCU-010	@	P2B-VSCU-010-NL
	17mm	<b>125685</b>	P2B-VSCU-17M	@	P2B-VSCU-17M-NL
204	3/4	<b>123580</b>	P2B-VSC-012	<b>054495</b>	P2B-VSC-012-NL
	20mm	<b>125686</b>	P2B-VSC-20M	@	P2B-VSC-20M-NL
205	7/8	<b>125502</b>	P2B-VSC-014	@	P2B-VSC-014-NL
	15/16	<b>125503</b>	P2B-VSC-015	@	P2B-VSC-015-NL
	1	<b>123581</b>	P2B-VSC-100	<b>123590</b>	P2B-VSC-100-NL
	25mm	<b>125687</b>	P2B-VSC-25M	@	P2B-VSC-25M-NL
206	1-1/8	<b>125504</b>	P2B-VSC-102	@	P2B-VSC-102-NL
	1-3/16	<b>123582</b>	P2B-VSC-103	<b>064691</b>	P2B-VSC-103-NL
	1-1/4	<b>123589</b>	P2B-VSC-104S	@	P2B-VSC-104S-NL
	30mm	<b>125751</b>	P2B-VSC-30M	@	P2B-VSC-30M-NL
206 (VSCU)	1-1/8	<b>125515</b>	P2B-VSCU-102	@	P2B-VSCU-102-NL
	1-3/16	<b>123604</b>	P2B-VSCU-103	<b>050845</b>	P2B-VSCU-103-NL
	1-1/4	<b>123606</b>	P2B-VSCU-104S	@	P2B-VSCU-104S-NL
	30mm	<b>125688</b>	P2B-VSCU-30M	@	P2B-VSCU-30M-NL

@Assembled to order

FEATURES/BENEFITS PAGE B8-2	HOW TO ORDER/NOMENCLATURE PAGE B4-5	EASY SELECTION PAGE B8-3	ACCESSORIES PAGE B8-26
--------------------------------	--	-----------------------------	---------------------------

# SELECTION/DIMENSIONS



## Setscrew VSC Ball Bearings VSC AND VSCU INTERMEDIATE DUTY PILLOW BLOCKS

Eccentric Collar Ball Bearing

Setscrew VSC Ball Bearing

Eccentric SXV Collar Ball Bearing

Take-Up Frames

Engineering

Part Number Index

Keyword Index

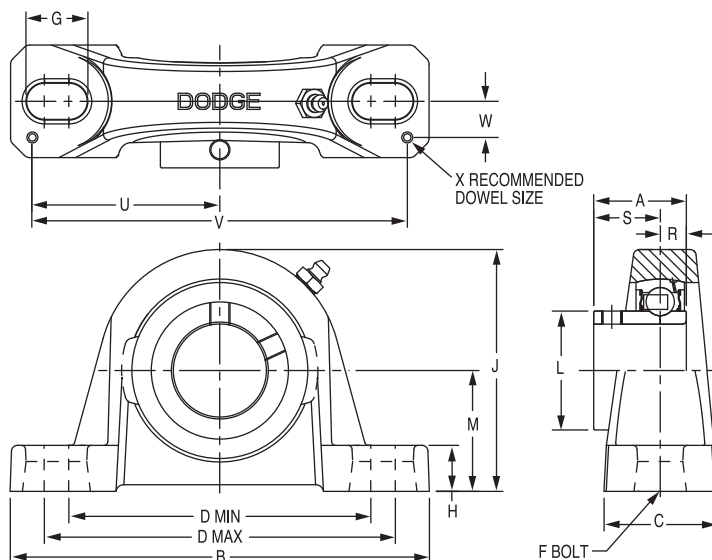
Series	Shaft Size	Weight lbs. kgs.	A	B	C	D		F Bolt Dia.	G	H	J	L	M	R	S	U	V	W	X	
						Min.	Max.													
203	1/2	1.1	1.00	5.00	1.20	3.25	4.06	3/8	0.84	0.47	2.14	0.96	1.06	0.36	0.64	2.25	4.50	0.38	0.12	
	5/8	1.0																		
	17mm	0.5	25.4	127.0	30.5	82.6	103.1	M10	21.3	11.9	54.4	24.4	26.9	9.1	16.3	57.2	114.3	9.7	3.0	
203 (VSCU)	1/2	1.2	1.00	5.00	1.20	3.25	4.06	3/8	0.84	0.59	2.27	0.96	1.19	0.36	0.64	2.25	4.50	0.38	0.12	
	5/8	1.1																		
	17mm	0.6	25.4	127.0	30.5	82.6	103.1	M10	21.3	15.0	57.7	24.4	30.2	9.1	16.3	57.2	114.3	9.7	3.0	
204	3/4	1.4	1.23	5.25	1.34	3.38	4.19	3/8	0.85	0.53	2.56	1.12	1.31	0.50	0.73	2.25	4.50	0.50	0.12	
	20mm	0.6	31.2	133.4	34.0	85.9	106.4	M10	21.6	13.5	65.0	28.4	33.3	12.7	18.5	57.2	114.3	12.7	3.0	
205	7/8	1.8	1.34	5.50	1.40	3.69	4.50	3/8	0.85	0.58	2.77	1.32	1.44	0.56	0.78	2.50	5.00	0.50	0.12	
	15/16	1.7																		
	1	1.6																		
206	25mm	0.8	34.0	139.7	35.6	93.7	114.3	M10	21.6	14.7	70.4	33.5	36.6	14.2	19.8	63.5	127.0	12.7	3.0	
	1-1/8	2.7	1.52	6.25	1.75	4.25	5.00	1/2	0.94	0.68	3.25	1.57	1.63	0.58	0.94	2.88	5.76	0.56	0.12	
	1-3/16	2.6																		
	1-1/4	2.5																		
206 (VSCU)	30mm	1.2	38.6	158.8	44.5	108.0	127.0	M12	23.9	17.3	82.6	39.9	41.4	14.7	23.9	73.2	146.3	14.2	3.0	
	1-1/8	2.8	1-19/64	6-1/4	1-47/64	4-1/4	5	1/2	15/16	3/4	3-5/16	1-37/64	1-11/16	25/64	29/32	2-7/8	5-3/4	9/163	3/16	
	1-3/16	2.7																		
	1-1/4	2.6																		
206 (VSCU)	30mm	1.3	32.9	158.8	44.1	108.0	127.0	M12	23.8	19.1	84.1	40.1	42.9	9.9	23.0	73.0	146.1	14.3	4.8	

FEATURES/BENEFITS PAGE B8-2	HOW TO ORDER/NOMENCLATURE PAGE B4-5	EASY SELECTION PAGE B8-3	ACCESSORIES PAGE B8-26
--------------------------------	--	-----------------------------	---------------------------

# SELECTION/DIMENSIONS



## Setscrew VSC Ball Bearings VSC AND VSCU INTERMEDIATE DUTY PILLOW BLOCKS



**Lube Fitting**  
203 series - 1/4-28 tapered thread  
204 series and larger - 1/8-27 NPT

Series	Shaft Size	Standard		No-Lube/Sealed for Life (-NL)	
		Part No.	Description	Part No.	Description
207	1-1/4	<b>123583</b>	P2B-VSC-104	<b>051889</b>	P2B-VSC-104-NL
	1-3/8	<b>125505</b>	P2B-VSC-106	@	P2B-VSC-106-NL
	1-7/16	<b>123584</b>	P2B-VSC-107	<b>050838</b>	P2B-VSC-107-NL
	35mm	<b>125689</b>	P2B-VSC-35M	<b>067664</b>	P2B-VSC-35M-NL
208	1-1/2	<b>123585</b>	P2B-VSC-108	<b>051890</b>	P2B-VSC-108-NL
	40mm	@	P2B-VSC-40M	@	P2B-VSC-40M-NL
209	1-11/16	<b>125506</b>	P2B-VSC-111	@	P2B-VSC-111-NL
	1-3/4	<b>124933</b>	P2B-VSC-112	@	P2B-VSC-112-NL
	45mm	<b>125691</b>	P2B-VSC-45M	@	P2B-VSC-45M-NL
210	1-15/16	<b>123586</b>	P2B-VSC-115	<b>053662</b>	P2B-VSC-115-NL
	2	<b>123587</b>	P2B-VSC-200	@	P2B-VSC-200-NL
	50mm	<b>125692</b>	P2B-VSC-50M	@	P2B-VSC-50M-NL
211	2	<b>123593</b>	P2B-VSC-200L	<b>049784</b>	P2B-VSC-200L-NL
	2-3/16	<b>123588</b>	P2B-VSC-203	@	P2B-VSC-203-NL
	55mm	<b>125693</b>	P2B-VSC-55M	@	P2B-VSC-55M-NL

@Assembled to order

FEATURES/BENEFITS PAGE B8-2	HOW TO ORDER/NOMENCLATURE PAGE B4-5	EASY SELECTION PAGE B8-3	ACCESSORIES PAGE B8-26
--------------------------------	--	-----------------------------	---------------------------

# SELECTION/DIMENSIONS



## Setscrew VSC Ball Bearings VSC AND VSCU INTERMEDIATE DUTY PILLOW BLOCKS

Eccentric Collar Ball Bearing

Setscrew VSC Ball Bearing

Eccentric SXV Collar Ball Bearing

Take-Up Frames

Engineering

Part Number Index

Keyword Index

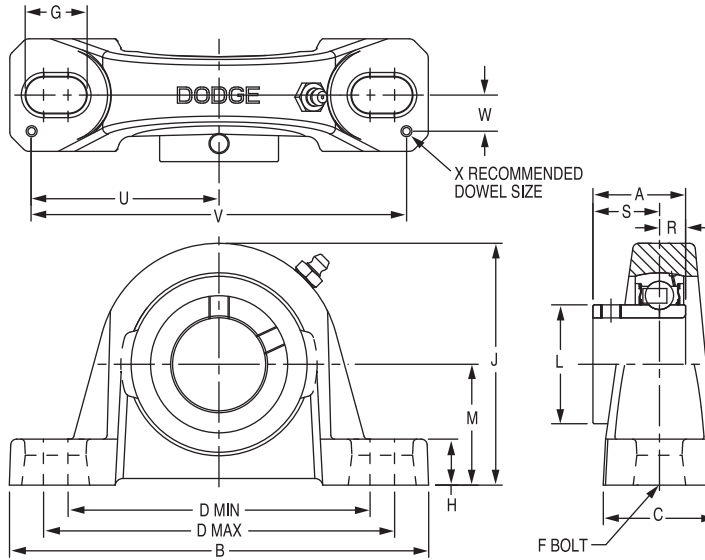
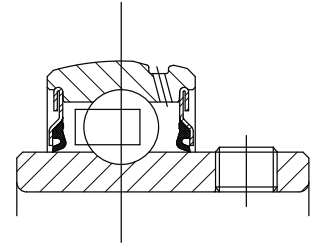
Series	Shaft Size	Weight lbs. kgs.	A	B	C	D		F Bolt Dia.	G	H	J	L	M	R	S	U	V	W	X	
						Min.	Max.													
207	1-1/4	4.5	1.71	6.50	1.75	4.68	5.44	1/2	0.94	0.71	3.75	1.84	1.88	0.67	1.04	2.91	5.82	0.56	0.12	
	1-3/8	4.3																		
	1-7/16 35mm	4.2 2.0	43.4 165.1	44.5 118.9	138.2 M12	23.9 18.0	95.3 46.7	47.8 17.0	26.4 73.9	147.8 14.2	3.0									
208	1-1/2	5.4	1.94	7.25	1.93	5.18	5.88	1/2	0.91	0.93	4.19	2.05	2.13	0.75	1.19	3.26	6.52	0.69	0.12	
	40mm	2.5	49.3	184.2	49.0	131.6	149.4	M12	23.1	23.6	106.4	52.1	54.1	19.1	30.2	82.8	165.6	17.5	3.0	
209	1-11/16	6.4	1.94	7.44	2.00	5.50	6.19	1/2	0.90	0.75	4.28	2.22	2.13	0.75	1.19	3.38	6.76	0.69	0.12	
	1-3/4 45mm	6.2 3.0	49.3 189.0	50.8 139.7	157.2 M12	22.9 19.1	108.7 56.4	54.1 19.1	30.2 85.9	171.7 17.5	3.0									
210	1-15/16	7.2	1.94	8.12	2.25	6.00	6.68	5/8	1.02	0.75	4.53	2.43	2.25	0.75	1.19	3.69	7.38	0.81	0.12	
	2 50mm	7.0 3.3	49.3 206.2	57.2 152.4	169.7 M16	25.9 19.1	115.1 61.7	57.2 19.1	30.2 93.7	187.5 20.6	3.0									
211	2	9.0	2.22	8.88	2.30	6.38	7.44	5/8	1.21	0.88	4.96	2.71	2.50	0.87	1.35	3.94	7.88	0.81	0.12	
	2-3/16 55mm	8.9 4.2	56.4 225.6	58.4 162.1	189.0 M16	30.7 22.4	126.0 68.8	63.5 22.1	34.3 100.1	200.2 20.6	3.0									

FEATURES/BENEFITS PAGE B8-2	HOW TO ORDER/NOMENCLATURE PAGE B4-5	EASY SELECTION PAGE B8-3	ACCESSORIES PAGE B8-26
--------------------------------	--	-----------------------------	---------------------------



## SELECTION/DIMENSIONS

### Setscrew VSC Ball Bearings VSCB INTERMEDIATE DUTY PILLOW BLOCKS



**Lube Fitting**  
203 series - 1/4-28 tapered thread  
204 series and larger - 1/8-27 NPT

Series	Shaft Size	Standard		No-Lube/Sealed for Life (-NL)	
		Part No.	Description	Part No.	Description
203 (VSC)	1/2	<b>125500</b>	P2B-VSC-008	@	P2B-VSC-008-NL
	5/8	<b>125501</b>	P2B-VSC-010	@	P2B-VSC-010-NL
	17mm	@	P2B-VSC-17M	@	P2B-VSC-17M-NL
204	3/4	<b>123595</b>	P2B-VSCB-012	<b>050833</b>	P2B-VSCB-012-NL
	20mm	@	P2B-VSCB-20M	@	P2B-VSCB-20M-NL
205	7/8	<b>125508</b>	P2B-VSCB-014	@	P2B-VSCB-014-NL
	15/16	<b>125509</b>	P2B-VSCB-015	@	P2B-VSCB-015-NL
	1	<b>123596</b>	P2B-VSCB-100	<b>050828</b>	P2B-VSCB-100-NL
	25mm	@	P2B-VSCB-25M	@	P2B-VSCB-25M-NL
206	1-1/8	<b>125510</b>	P2B-VSCB-102	@	P2B-VSCB-102-NL
	1-3/16	<b>123597</b>	P2B-VSCB-103	<b>050829</b>	P2B-VSCB-103-NL
	1-1/4	<b>123605</b>	P2B-VSCB-104S	@	P2B-VSCB-104S-NL
	30mm	@	P2B-VSCB-30M	@	P2B-VSCB-30M-NL
207	1-1/4	<b>123598</b>	P2B-VSCB-104	@	P2B-VSCB-104-NL
	1-3/8	<b>125511</b>	P2B-VSCB-106	@	P2B-VSCB-106-NL
	1-7/16	<b>123599</b>	P2B-VSCB-107	<b>050830</b>	P2B-VSCB-107-NL
208	35mm	@	P2B-VSCB-35M	@	P2B-VSCB-35M-NL
	1-1/2	<b>123600</b>	P2B-VSCB-108	@	P2B-VSCB-108-NL
209	40mm	<b>125690</b>	P2B-VSCB-40M	@	P2B-VSCB-40M-NL
	1-11/16	<b>125512</b>	P2B-VSCB-111	<b>050848</b>	P2B-VSCB-111-NL
210	1-3/4	<b>125507</b>	P2B-VSCB-112	@	P2B-VSCB-112-NL
	45mm	@	P2B-VSCB-45M	<b>068428</b>	P2B-VSCB-45M-NL
	1-15/16	<b>123601</b>	P2B-VSCB-115	@	P2B-VSCB-115-NL
211	2	<b>123602</b>	P2B-VSCB-200	@	P2B-VSCB-200-NL
	50mm	@	P2B-VSCB-50M	@	P2B-VSCB-50M-NL
	2	<b>123607</b>	P2B-VSCB-200L	@	P2B-VSCB-200L-NL
211	2-3/16	<b>123603</b>	P2B-VSCB-203	<b>050831</b>	P2B-VSCB-203-NL
	55mm	@	P2B-VSCB-55M	@	P2B-VSCB-55M-NL

@ Assembled to order

FEATURES/BENEFITS PAGE B8-2	HOW TO ORDER/NOMENCLATURE PAGE B4-5	EASY SELECTION PAGE B8-3	ACCESSORIES PAGE B8-26
--------------------------------	--	-----------------------------	---------------------------

# SELECTION/DIMENSIONS



## Setscrew VSC Ball Bearings VSCB INTERMEDIATE DUTY PILLOW BLOCKS

Eccentric Collar Ball Bearing

Setscrew VSC Ball Bearing

Eccentric SXV Collar Ball Bearing

Take-Up Frames

Engineering

Part Number Index

Keyword Index

Series	Shaft Size	Weight lbs. kgs.	A	B	C	D		F Bolt Dia.	G	H	J	L	M	R	S	U	V	W	X	
						Min.	Max.													
203 (VSC)	1/2	1.1	1.00	5.00	1.20	3.25	4.06	3/8	0.84	0.47	2.14	0.96	1.06	0.36	0.64	2.25	4.50	0.38	0.12	
	5/8	1.0																		
	17mm	0.5	25.4	127.0	30.5	82.6	103.1	M10	21.3	11.9	54.4	24.4	26.9	9.1	16.3	57.2	114.3	9.7	3.0	
204	3/4	1.4	1.23	5.25	1.34	3.38	4.19	3/8	0.85	0.47	2.49	1.12	1.25	0.50	0.73	2.25	4.50	0.50	0.12	
	20mm	0.6	31.2	133.4	34.0	85.9	106.4	M10	21.6	11.9	63.2	28.4	31.8	12.7	18.5	57.2	114.3	12.7	3.0	
205	7/8	1.8	1.34	5.50	1.40	3.69	4.50	3/8	0.85	0.45	2.64	1.32	1.31	0.56	0.78	2.50	5.00	0.50	0.12	
	15/16	1.7																		
	1	1.6																		
206	25mm	0.8	34.0	139.7	35.6	93.7	114.3	M10	21.6	11.4	67.1	33.5	33.3	14.2	19.8	63.5	127.0	12.7	3.0	
	1-1/8	2.7	1.52	6.25	1.75	4.25	5.00	1/2	0.94	0.62	3.19	1.57	1.56	0.58	0.94	2.88	5.76	0.56	0.12	
	1-3/16	2.6																		
207	1-1/4	2.5																		
	30mm	1.2	38.6	158.8	44.5	108.0	127.0	M12	23.9	15.8	81.0	39.9	39.6	14.7	23.9	73.2	146.3	14.2	3.0	
	1-1/4	4.5	1.71	6.50	1.75	4.68	5.44	1/2	0.94	0.65	3.69	1.84	1.81	0.67	1.04	2.91	5.82	0.56	0.12	
208	1-3/8	4.3																		
	1-7/16	4.2																		
	35mm	2.0	43.4	165.1	44.5	118.9	138.2	M12	23.9	16.5	93.7	46.7	46.0	17.0	26.4	73.9	147.8	14.2	3.0	
209	1-1/2	5.4	1.94	7.25	1.93	5.18	5.88	1/2	0.91	0.75	4.00	2.05	1.94	0.75	1.19	3.26	6.52	0.69	0.12	
	40mm	2.5	49.3	184.2	49.0	131.6	149.4	M12	23.1	19.1	101.6	52.1	49.3	19.1	30.2	82.8	165.6	17.5	3.0	
210	1-11/16	6.4	1.94	7.44	2.00	5.50	6.19	1/2	0.90	0.69	4.21	2.22	2.06	0.75	1.19	3.38	6.76	0.69	0.12	
	1-3/4	6.2																		
	45mm	3.0	49.3	189.0	50.8	139.7	157.2	M12	22.9	17.5	106.9	56.4	52.3	19.1	30.2	85.9	171.7	17.5	3.0	
211	1-15/16	7.2	1.94	8.12	2.25	6.00	6.68	5/8	1.02	0.68	4.47	2.43	2.19	0.75	1.19	3.69	7.38	0.81	0.12	
	2	7.0																		
	50mm	3.3	49.3	206.2	57.2	152.4	169.7	M16	25.9	17.3	113.5	61.7	55.6	19.1	30.2	93.7	187.5	20.6	3.0	
211	2	9.0	2.22	8.88	2.30	6.38	7.44	5/8	1.21	0.81	4.90	2.71	2.44	0.87	1.35	3.94	7.88	0.81	0.12	
	2-3/16	8.9																		
	55mm	4.2	56.4	225.6	58.4	162.1	189.0	M16	30.7	20.6	124.5	68.8	62.0	22.1	34.3	100.1	200.2	20.6	3.0	

FEATURES/BENEFITS PAGE B8-2	HOW TO ORDER/NOMENCLATURE PAGE B4-5	EASY SELECTION PAGE B8-3	ACCESSORIES PAGE B8-26
--------------------------------	--	-----------------------------	---------------------------